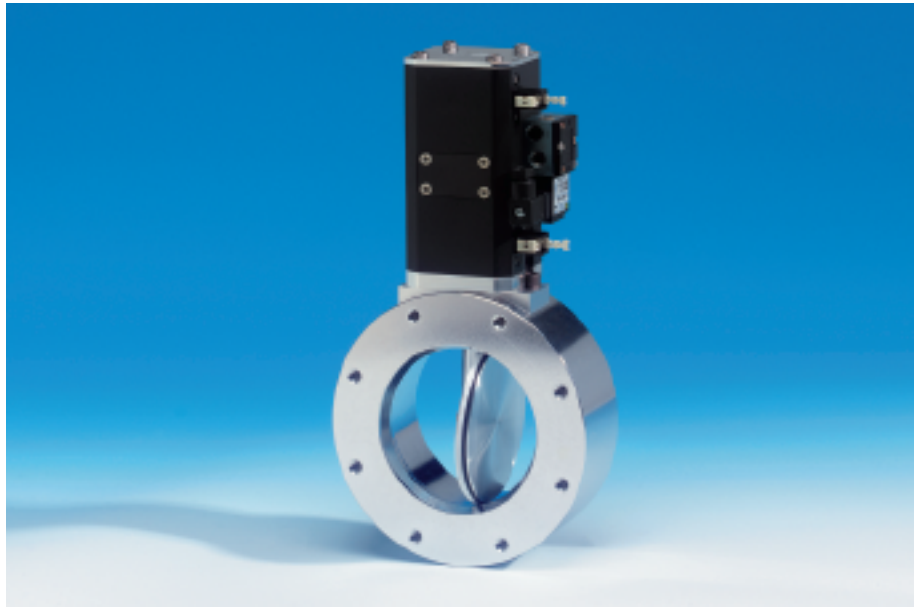


Series 203 / 204

Pneumatic actuator,
with rotary feedthrough

Compact alternative to gate valves



Body material

aluminum or stainless steel

Pneumatic actuator

double acting
with position indicator
with solenoid

DN		Ordering numbers (specify control voltage)	
mm	inch	aluminum ISO-F	stainless steel ISO-F
63	2 1/2	20336-PA44	20336-PE44
80	3	20338-PA44	20338-PE44
100	4	20340-PA44	20340-PE44
160	6	20344-PA44	20344-PE44
200	8	20346-PA44	20346-PE44

without position indicator, without solenoid: 203 . . -P . 14

with position indicator, without solenoid: 203 . . -P . 24

without position indicator, with solenoid: 203 . . -P . 34 (specify control voltage)

DN		Ordering numbers (specify control voltage)	
mm	inch	aluminum ISO-F	stainless steel ISO-F
63	2 1/2	20436-PA44	20436-PE44
80	3	20438-PA44	20438-PE44
100	4	20440-PA44	20440-PE44
160	6	20444-PA44	20444-PE44
200	8	20446-PA44	20446-PE44

without position indicator, without solenoid: 204 . . -P . 14

with position indicator, without solenoid: 204 . . -P . 24

without position indicator, with solenoid: 204 . . -P . 34 (specify control voltage)

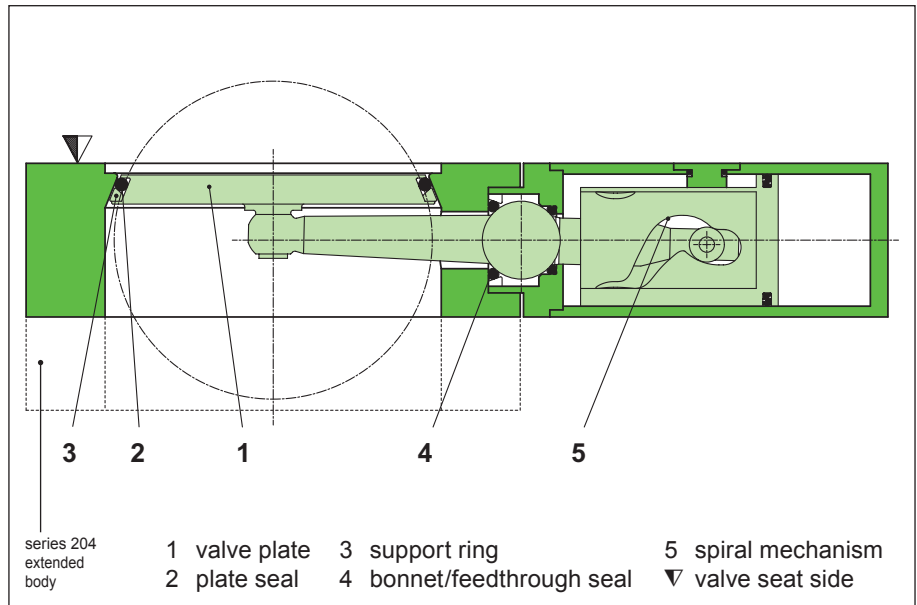
Manual actuator

See series 200 / 202, pages 64 - 65

Sealing materials

Plate: VITON

Combined bonnet and feedthrough seal: VITON



Features

- Rotary feedthrough for high cycle life
- No friction of the plate seal: first swing, then tilt
- Low particle count

Technical data

Continued next page

Leak rate: body, valve seat	$< 1 \cdot 10^{-9}$ mbar ls ⁻¹
Pressure range	$1 \cdot 10^{-8}$ mbar to 2 bar (abs)
Differential pressure on the plate	≤ 1.2 bar in opening direction ≤ 1.6 bar in closing direction
Differential pressure at opening	≤ 500 mbar
Cycles until first service	100 000 at T _{max} 80°C
Temperature ¹⁾	
- Valve	$\leq 120^\circ\text{C}$ (150°C optional)
- Position indicator	$\leq 80^\circ\text{C}$
- Solenoid	$\leq 50^\circ\text{C}$
Material	
- Plate, body aluminum version	AlMgSi (6060/6061/6063/6082)
- Plate, body stainless steel version	AISI 304 (1.4301)
- Mechanism	AISI 316L (1.4435), AISI 304 (1.4301), + screws
- Support ring	POM
Seal: bonnet, feedthrough, plate	VITON
Mounting position	any
Solenoid	24 VDC, ≤ 7.6 W (others see «Options»)
Position indicator: contact rating	
- Voltage	≤ 50 VAC / DC
- Current	≤ 0.5 A
- Power	≤ 10 W

¹⁾ Maximum values: depending on operating conditions and sealing materials

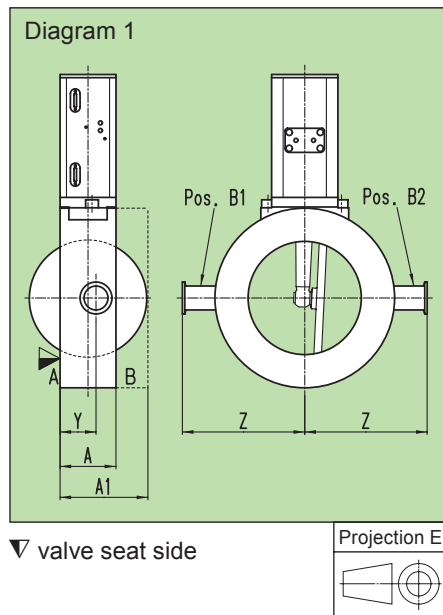
Options

Actuator:

- Solenoid for 12, 48 VDC
24, 48, 100, 115, 200, 230 V 50/60 Hz

Valve:

- CF-F flanges with metric or UNF threads
- Body with customer specified flanges
- Port (see diagram 1)
 - screwed (aluminum body)
 - welded (stainless steel body)



DN valve	mm inch	63 2 1/2	80 3	100 4	160 6	200 8
recommended port	ISO-KF	16 5/8	25 1	25 1	25 1	40 1 1/2
	¹⁾ CF-F	16 5/8	16 5/8	16 5/8	40 1 1/2	40 1 1/2
Y	mm inch	30 1.18	35 1.38	35 1.38	35 1.38	45 1.77
Z ISO-KF	mm inch	92 3.62	112 4.41	122 4.8	152 5.98	185 7.28
Z CF-F	mm inch	90 3.54	100 3.94	110 4.33	145 5.71	180 7.09

¹⁾ stainless steel body

Ordering information for options:

Ordering No. of valve-X (e. g. 20340-PA44-X, X = port DN 25 ISO-KF in position B1)

Seal kit

Consisting of seals for plate and feedthrough

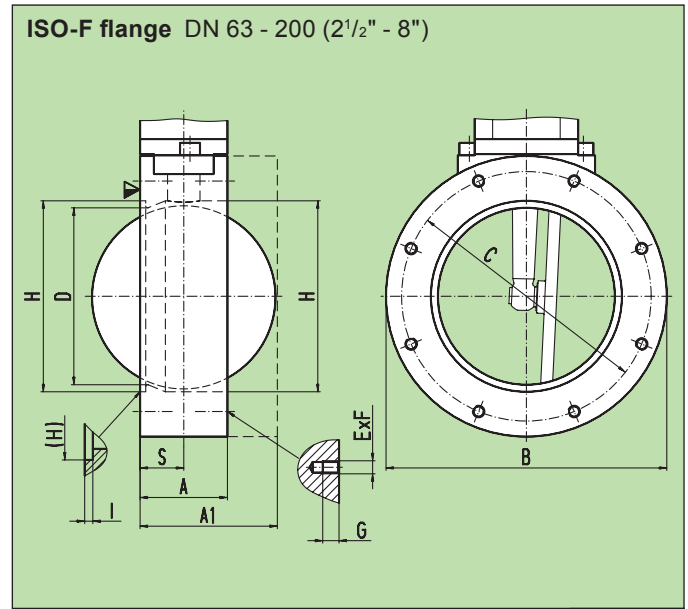
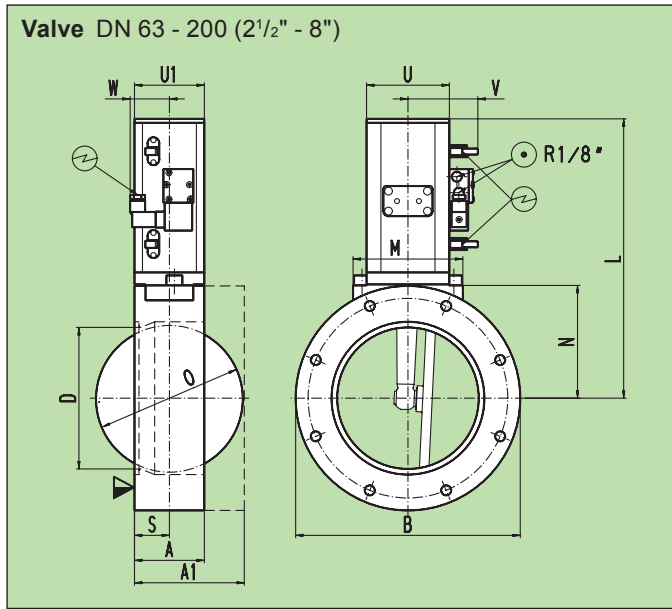
Ordering No.: see operating manual or price list

Technical data

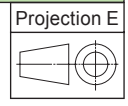
¹⁾ depending on pneumatic installation

DN (nominal I.D.)		molecular flow conductance	compressed air pressure		volume of air cylinder		closing or opening time ¹⁾	weight			
mm	inch		bar	psi	l	ft ³		aluminum body		stainless steel body	
		ls ⁻¹					s	kg	lbs	kg	lbs
series 203 with standard body											
63	2 1/2	550	4 - 7	60 - 100	0.04	0.0014	0.4	2.3	5.1	4.6	10.1
80	3	700	4 - 7	60 - 100	0.08	0.003	0.8	3.8	8.4	7.5	16.5
100	4	1400	4 - 7	60 - 100	0.08	0.003	0.8	4	8.8	8	17.6
160	6	4000	4 - 7	60 - 100	0.13	0.0045	1.4	7.4	16.3	15.6	34.4
200	8	7500	4 - 7	60 - 100	0.3	0.01	1.8	16.1	35.5	34.2	75.4
series 204 with extended body											
63	2 1/2	450	4 - 7	60 - 100	0.04	0.0014	0.4	2.5	5.5	5.3	11.7
80	3	600	4 - 7	60 - 100	0.08	0.003	0.8	4.2	9.3	8.5	18.7
100	4	1050	4 - 7	60 - 100	0.08	0.003	0.8	4.7	10.4	10.1	22.3
160	6	2550	4 - 7	60 - 100	0.13	0.0045	1.4	9.7	21.4	22.3	49.2
200	8	4700	4 - 7	60 - 100	0.3	0.01	1.8	21.3	47	20.8	45.9

Dimensions



- ▼ valve seat side
- ⊙ compressed air connection
- ⊖ electrical connection



A: standard body series 203
 A1: extended body series 204

DN	mm	63	80	100	160	200
	inch	2 1/2	3	4	6	8
A	mm	50	60	60	70	90
	inch	1.97	2.36	2.36	2.76	3.54
A1	mm	60	70	80	110	145
	inch	2.36	2.76	3.15	4.33	5.71
B	mm	130	145	165	225	300
	inch	5.12	5.71	6.5	8.86	11.81
D	mm	63	76	95	142	192
	inch	2.48	2.99	3.74	5.59	7.56
L	mm	181	228	228	285	371
	inch	7.13	8.98	8.98	11.22	14.61
M	mm	76	86	86	110	140
	inch	2.99	3.39	3.39	4.33	5.51
N	mm	65	82.5	82.5	113	147.5
	inch	2.56	3.25	3.25	4.45	5.81
O	mm	67	80	100	147	200
	inch	2.64	3.15	3.94	5.79	7.87
S	mm	25	30	30	35	45
	inch	0.98	1.18	1.18	1.38	1.77
U	mm	60	70	70	83	103
	inch	2.36	2.76	2.76	3.27	4.06
U1	mm	50	60	60	70	90
	inch	1.97	2.36	2.36	2.76	3.54
V	mm	60	65	65	70	80
	inch	2.36	2.56	2.56	2.76	3.15
W	mm	44	40	40	40	30
	inch	1.73	1.57	1.57	1.57	1.18

DN	mm	63	80	100	160	200
	inch	2 1/2	3	4	6	8
A	mm	50	60	60	70	90
	inch	1.97	2.36	2.36	2.76	3.54
A1	mm	60	70	80	110	145
	inch	2.36	2.76	3.15	4.33	5.71
B	mm	130	145	165	225	300
	inch	5.12	5.71	6.5	8.86	11.81
C	mm	110	125	145	200	260
	inch	4.33	4.92	5.71	7.87	10.24
D	mm	63	76	95	142	192
	inch	2.48	2.99	3.74	5.59	7.56
E x F		4 x M8	8 x M8	8 x M8	8 x M10	12 x M10
G	mm	12	12	12	15	15
	inch	0.47	0.47	0.47	0.59	0.59
H	mm	70	83	102	153	213
	inch	2.76	3.27	4.02	6.02	8.39
I	mm	2.5	2.5	2.5	4.5	4.5
	inch	0.1	0.1	0.1	0.18	0.18
S	mm	25	30	30	35	45
	inch	0.98	1.18	1.18	1.38	1.77