

Series 012

Small and light-weight

Low cost



Body material

aluminum

Manual actuator

toggle lever

DN		Ordering numbers ISO-KF
mm	inch	
16	5/8	01224-KA06
25	1	01228-KA06
40	1 1/2	01232-KA06
50	2	01234-KA06

Pneumatic actuator

double acting

without position indicator

without solenoid

DN		Ordering numbers ISO-KF
mm	inch	
16	5/8	01224-KA14
25	1	01228-KA14
40	1 1/2	01232-KA14
50	2	01234-KA14

with position indicator, without solenoid: 012 . . -KA~~2~~4

with position indicator, with solenoid: 012 . . -KA~~4~~4 (specify control voltage)

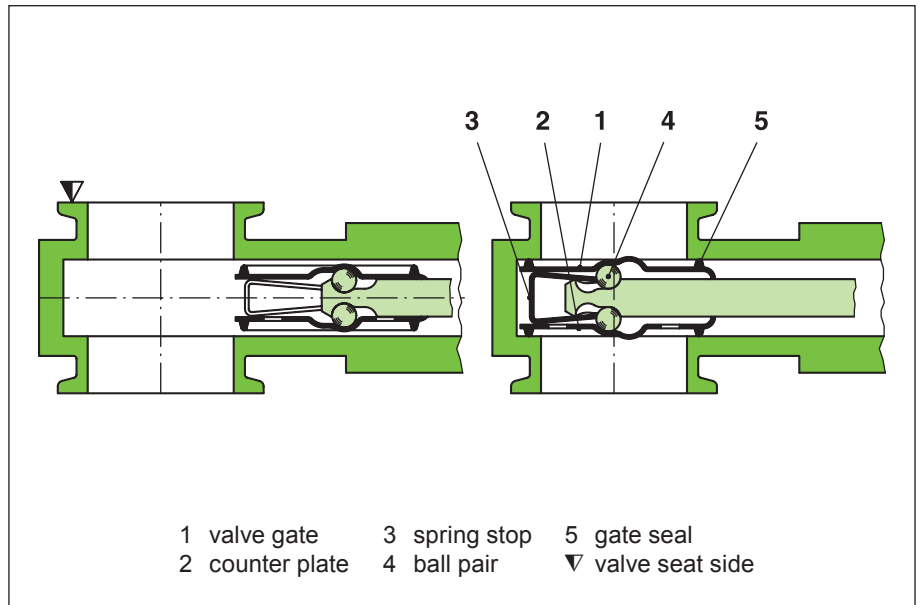
Sealing materials

Gate: FKM (VITON)

Bonnet: FKM (VITON)

Feedthrough

O-ring shaft seal



Features

VATLOCK configuration (see glossary)

O-ring shaft seal

Vulcanized gate seal

Technical data

Continued next page

Leak rate: body, valve seat	$< 1 \cdot 10^{-9}$ mbar ls ⁻¹
Pressure range	$1 \cdot 10^{-7}$ mbar to 1 bar (abs)
Differential pressure on the gate	≤ 1 bar in either direction
Differential pressure at opening	≤ 30 mbar
Cycles until first service	50000
Temperature ¹⁾	
- Valve body	$\leq 100^\circ\text{C}$
- Manual and pneumatic actuator	$\leq 80^\circ\text{C}$
- Position indicator	$\leq 80^\circ\text{C}$
- Solenoid	$\leq 50^\circ\text{C}$
Heating and cooling rate	$\leq 50^\circ\text{C h}^{-1}$
Material	
- Valve body	EN AW-6082 (3.2315)
- Gate	AISI 301 (1.4310)
Seal	
- Bonnet	FKM (VITON)
- Gate	FKM (VITON, vulcanized)
Mounting position	any
Solenoid	24 VDC, 5.4 W (others see «Options»)
Position indicator: contact rating	
- Voltage	≤ 50 VAC / DC
- Current	≤ 0.5 A
- Power	max. 10 W
Valve position	visual (mechanical)

¹⁾ Maximum values: depending on operating conditions and sealing materials

Options

Actuator:

- Solenoid for impulse actuation:
actual valve position is maintained at power failure
- Solenoid separate, for external mounting
- Solenoid for 12, 48 VDC
24, 48, 100, 115, 200, 230 V 50/60 Hz
- Manual emergency operation on solenoid lockable

Valve:

- ISO-KF «quick» for fast mounting,
with centering rings and clamp integrated into the valve body



Ordering information for options:

Ordering No. of valve-X (e. g. 01232-KA44-X, X = solenoid for impulse actuation)

Accessories

Fittings for installation of the valve: Series 31

Seal kit

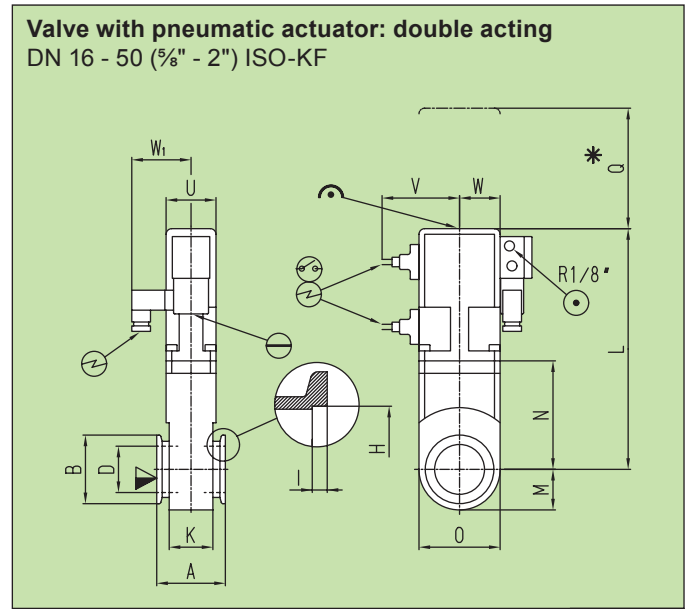
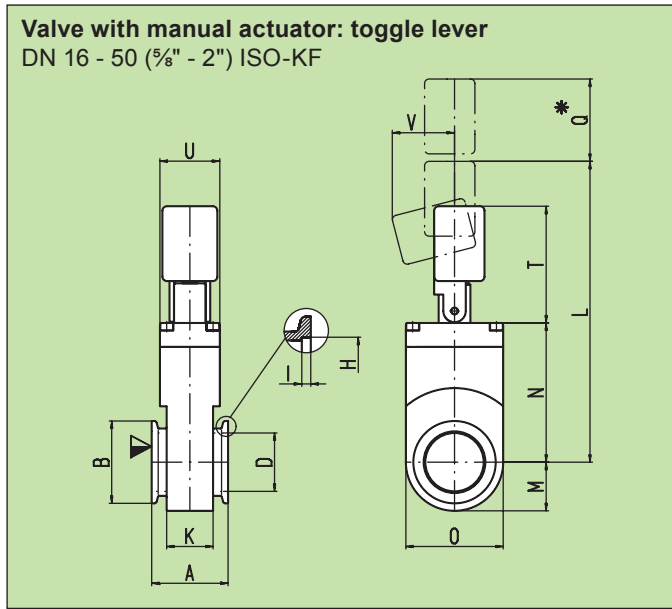
Consisting of gate with vulcanized seal, bonnet seal, and one set of lubricated locking balls

Ordering No.: see operating manual or price list

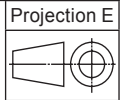
Technical data

DN (nominal I. D.)		standard flanges ISO-F	molecular flow conductance	manual		pneumatic						
				weight		compressed air pressure min. - max. overpressure		volume of air cylinder		closing or opening time	weight	
mm	inch		ls ⁻¹	kg	lbs	bar	psi	l	ft ³		s	kg
16	5/8	15	10	0.4	0.9	4.5 - 7	65 - 100	0.01	0.0004	0.8	0.8	1.8
25	1	25	34	0.4	0.9	4.5 - 7	65 - 100	0.03	0.001	1.1	0.8	1.8
40	1 1/2	40	140	0.7	1.5	4.5 - 7	65 - 100	0.07	0.002	1.2	1.2	2.7
50	2	50	260	0.7	1.5	4.5 - 7	65 - 100	0.07	0.002	1.3	1.2	2.7

Dimensions



- ▼ valve seat side
- * required for dismantling
- ⊖ emergency operation
- ⊕ compressed air connection
- ⊕ electrical connection
- ⊕ position indicator
- ⊕ mechanical position indication



DN	mm	16	25	40	50
	inch	5/8	1	1 1/2	2
A	mm	40	50	51	55
	inch	1.57	1.97	2.01	2.17
B	mm	30	40	55	75
	inch	1.18	1.57	2.17	2.95
D	mm	15	24	39	49
	inch	0.59	0.94	1.54	1.93
H	mm	17.2	26.2	41.2	52.2
	inch	0.68	1.03	1.62	2.06
I	mm	3	3	3	3
	inch	0.12	0.12	0.12	0.12
K	mm	25	32	31	33
	inch	0.98	1.26	1.22	1.3
L	mm	100	139	208	240
	inch	3.94	5.47	8.19	9.45
M	mm	15	22	32.5	37.5
	inch	0.59	0.87	1.28	1.48
N	mm	39	59	93	108
	inch	1.55	2.32	3.66	4.25
O	mm	30	44	65	75
	inch	1.18	1.73	2.56	2.95
Q	mm	25	35	55	65
	inch	0.98	1.38	2.17	2.56
T	mm	37	50	85	93
	inch	1.46	1.97	3.35	3.67
U	mm	25	32	40	40
	inch	0.98	1.26	1.57	1.57
V	mm	30	30	50	55
	inch	1.18	1.18	1.97	2.17

DN	mm	16	25	40	50
	inch	5/8	1	1 1/2	2
A	mm	40	50	51	55
	inch	1.57	1.97	2.01	2.17
B	mm	30	40	55	75
	inch	1.18	1.57	2.17	2.95
D	mm	15	24	39	49
	inch	0.59	0.94	1.54	1.93
H	mm	17.2	26.2	41.2	52.2
	inch	0.68	1.03	1.62	2.06
I	mm	3	3	3	3
	inch	0.12	0.12	0.12	0.12
K	mm	25	32	31	33
	inch	0.98	1.26	1.22	1.3
L	mm	105	136	196	220
	inch	4.13	5.35	7.72	8.66
M	mm	15	22	32.5	37.5
	inch	0.59	0.87	1.28	1.48
N	mm	39	56	88	103
	inch	1.55	2.2	3.46	4.06
O	mm	30	44	65	75
	inch	1.18	1.73	2.56	2.95
Q	mm	25	35	55	65
	inch	0.98	1.38	2.17	2.56
U	mm	25	32	40	40
	inch	0.98	1.26	1.57	1.57
V	mm	56	61	65	65
	inch	2.2	2.4	2.56	2.56
W	mm	55	60	61	66
	inch	2.17	2.36	2.4	2.6
W1	mm	50	50	50	50
	inch	1.97	1.97	1.97	1.97