

22-5400 Series

Regulators - Pressure Reducing

D22541988X012

Specifications

For other materials or modifications, please consult TESCOM.

OPERATING PARAMETERS

Pressure rating per criteria of ANSI/ASME B31.3

Maximum Inlet Pressure

600 psig / 41.4 bar

Outlet Pressure Ranges

30, 60, 100, 150 psig
2.1, 4.1, 6.9, 10.3 bar

Design Proof Pressure

150% maximum rated

Inboard Leak Rate

$< 2 \times 10^{-8}$ atm cc/sec He

Operating Temperature**PCTFE Seat**

-40°F to 140°F / -40°C to 60°C

Teflon® PFA Seat

-40°F to 160°F / -40°C to 71°C

Flow Capacity

$C_v = 1.0$

Decaying Inlet Characteristic

2.7 per 100 psig / 0.19 per 6.9 bar

MEDIA CONTACT MATERIALS

Body

316L Stainless Steel with Electropolish

Diaphragm

Hastelloy®

Valve Seat

PCTFE or Teflon® PFA

Seat Retainer

Nitronic 60 Stainless Steel

Stem, Seal, and Remaining Parts

316 Stainless Steel

OTHER

Internal Surface Finish

25 R_a microinch / 0.63 micrometer

Connections

Welded female or male VCR®

Tube stubs

Compression fittings

High Purity Internal Connections (H.P.I.C.) (gauge port only)

Cleaning

DI water electronic grade cleaned

Weight (without gauges)

3.5 lbs / 1.6 kg

Teflon® is a registered trademark of E.I. du Pont de Nemours and Company.

VCR® is a registered trademark of Cajon Co.

Hastelloy® is a registered trademark of Haynes International, Inc.



TESCOM 22-5400 Series high purity, high flow BA Grade pressure reducing regulator offers a $C_v = 1.0$ and a 316 Stainless Steel Electropolished body of 25 R_a . Inlet pressure is 600 psig / 41.4 bar with outlet pressures up to 150 psig / 10.3 bar.

Applications

- High flow purging
- Regulating corrosive and specialty gases
- Bulk gas delivery

Features and Benefits

- Compact, hand-loaded and pressure reducing
- Low internal volume
- Metal-to-metal diaphragm to body seal for high leak integrity
- 1.3 C_v is available - consult TESCOM

22-5400 Series Regulator Drawing

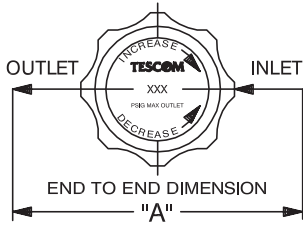


Figure A (no gauges)

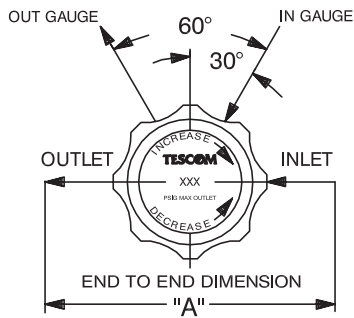


Figure B (2 gauges)

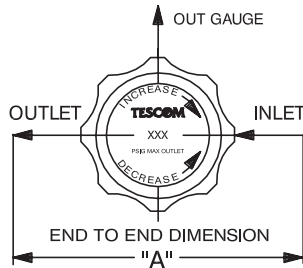
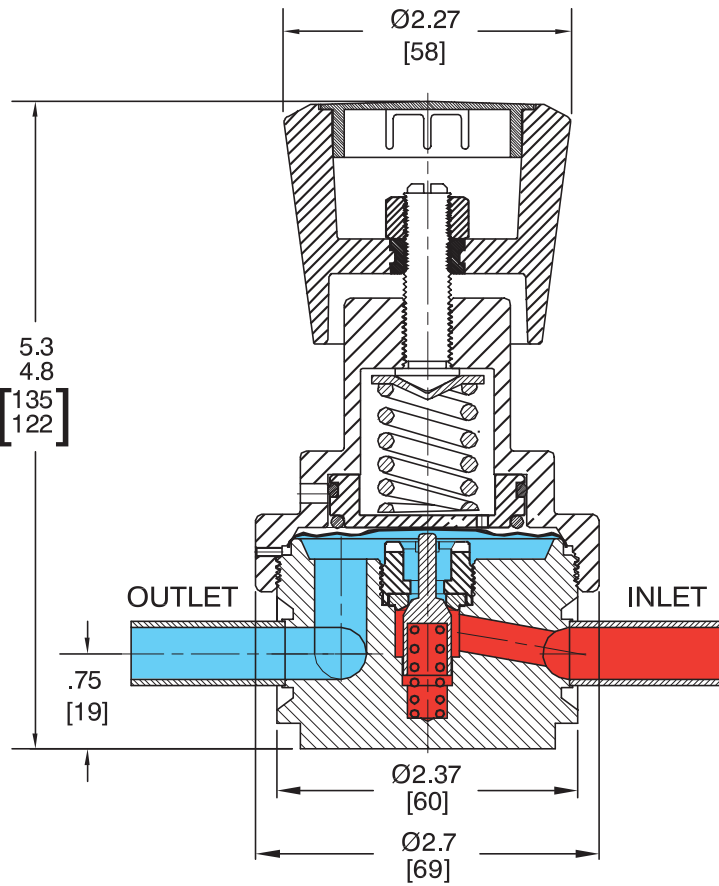
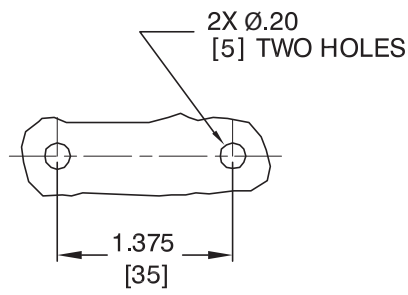


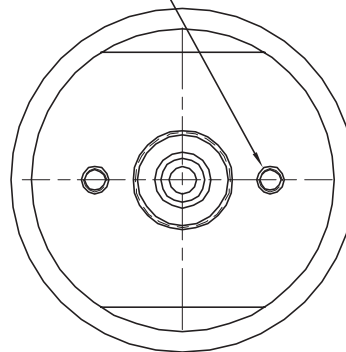
Figure C (1 gauge)



M5 X .30 DEPTH (2X)
(WILL ACCEPT
10-32 SCREW)



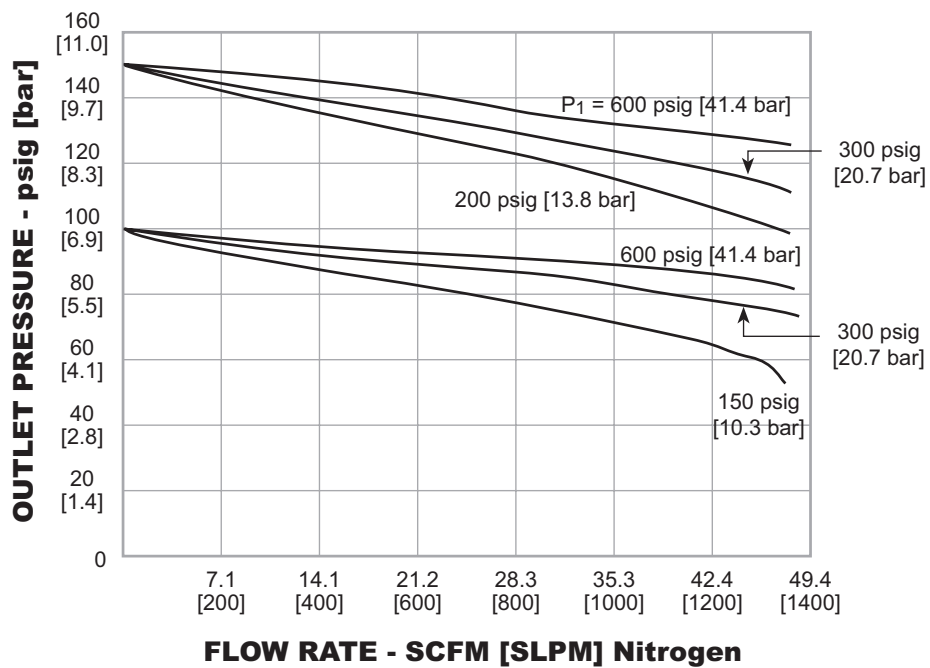
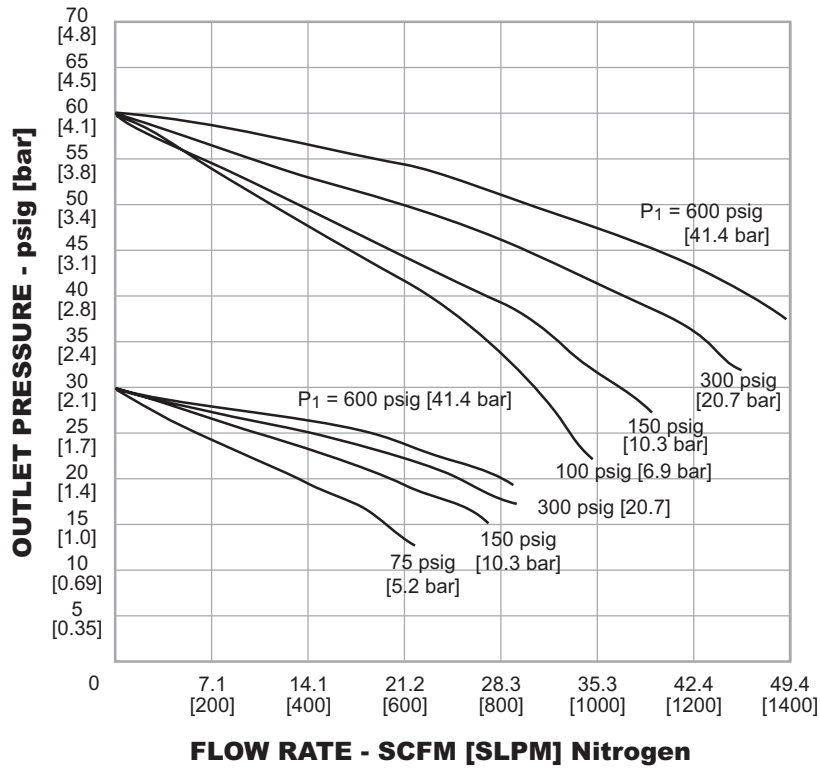
PANEL CUT OUT



All dimensions are reference & nominal
Metric [millimeter] equivalents are in brackets

22-5400 Series Regulator Flow Charts

For more information on how to read flow curves, please refer to the Flow Curves and Calculations document (debul2007x012) in the TESCOM catalog or on www.tescom.com.



22-5400 Series Regulator Part Number Selector

Repair Kits, Accessories & Modifications may be available for this product. Please contact TESCOM for more information.

Example for selecting a part number:

22-54	4	2	K	RW	1	1			
BASIC SERIES	BODY MATERIAL	FINISH	OUTLET PRESSURE	SEAT MATERIAL	INLET AND OUTLET PORT TYPE AND SIZE	'A' ± .06"	MAXIMUM INLET PRESSURE	GAUGE PORT OPTION	NUMBER OF GAUGE PORTS (FIGURE)
22-54	4 – 316 Stainless Steel Electropolish	25 R _a	0 – 30 psig 2.1 bar	K – PCTFE T – Teflon® PFA	T6 – 3/8" O.D. Tube	3.70	1 – 600 psig 41.4 bar	0 – None	0 (A)
			1 – 60 psig 4.1 bar		T8 – 1/2" O.D. Tube	3.70		1 – 1/4" H.P.I.C.	1 (C)
			2 – 100 psig 6.9 bar		RU – 1/2" Male Swivel	5.59		2 – 1/4" H.P.I.C.	2 (B)
			3 – 150 psig 10.3 bar		RW – 1/2" Female Swivel	5.59			
					C6 – 3/8" Compression Fitting	6.42			
					C8 – 1/2" Compression Fitting	6.00			



WARNING! Do not attempt to select, install, use or maintain this product until you have read and fully understood the TESCOM Safety, Installation and Operation Precautions.

D22541988X012 © 2012 Emerson Process Management Regulator Technologies, Inc. All rights reserved. 05/2012.
 Tescom, Emerson Process Management, and the Emerson Process Management design are marks of one of the Emerson Process Management group of companies. All other marks are the property of their respective owners.