

PP39B

Flow-Through Freeze Protection Drain Valve



Typical Applications

- * RV's
- * Mobile Homes
- * Sprinkler Systems
- * Outside Pool Showers
- * Coach / Bus Bath Rooms

Design Features

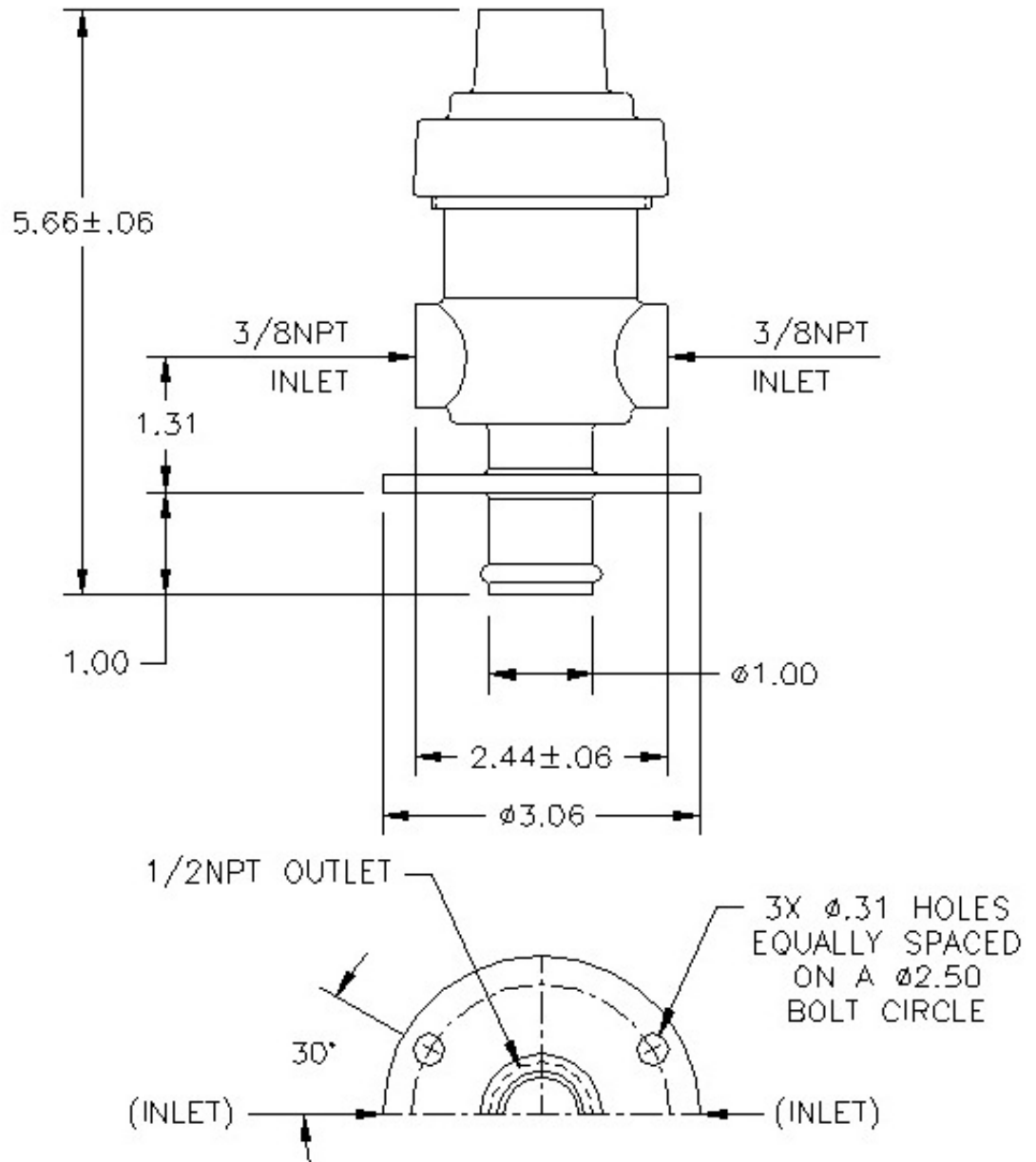
- Self-contained thermal actuator
- No external power or remote signal
- In-line serviceability
- Valve opens/closes gradually, preventing system shock
- High repeatability: No set point drift
- Starts to open approximately 39°F
- Maximum working pressure 120 PSI
- 100% factory tested

Benefits

- Easy installation
- Reliable, unattended operation
- Minimal maintenance requirements
- Eliminates costly freeze damage

Specifications

- Solid /Liquid Thermal Actuator
- Brass Body
- Stainless Steel Springs
- Silicone Plug Seal
- Factory Calibrated Set Point
- Max Operating pressure 120 psig
- $C_v = 3.6$



Differential from full open to full closed is typically 10 to 15°F. Valve opens / closes gradually. Valve normally fails in the open position. Start to open approximately 39°F. Other setpoints available.

The Ogontz Guarantee

We will repair or replace on a no-charge basis, F.O.B. Willow Grove, PA, any Ogontz product returned to us within 18 months, if found to be defective in material or workmanship.



2835 Terwood Road • Willow Grove, PA 19090 USA
 800/523-2478 • 215/657-4770 • Fax: 215/657-0460
 www.ogontz.com • info@ogontz.com

North America • South America • Europe • Asia Copyright
 Ogontz Corporation, 2015 • Bulletin #PP39B-15