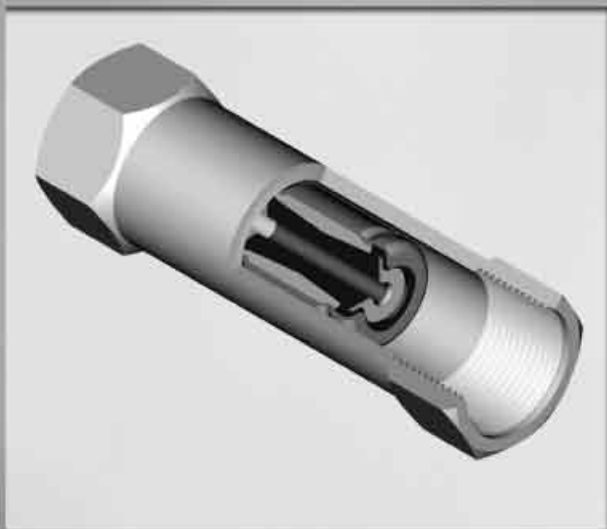


# The Ogontz Pinch Trap



Advanced Steam  
Trap Technology,  
Patented Pinch  
Mechanism

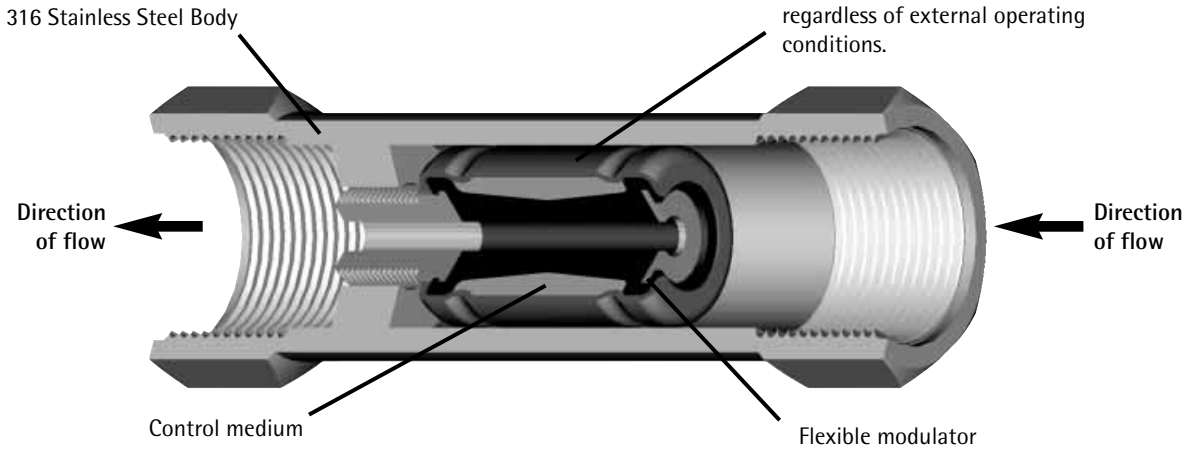


# The Ogontz Pinch Trap



Incorporating a chemically resistant, patented, seal mechanism, the Pinch Trap automatically adjusts for optimal condensate removal.

Brass or optional 316 SS jacketed design provides rapid response to internal steam temperature/pressure regardless of external operating conditions.



## Principles of Operation

A control medium responds to steam temperature/pressure to control the removal of condensate.

**Figure 1 (open):** At cold start-up the Pinch Trap is wide open and ready for passing all air, scale, and non-condensable.

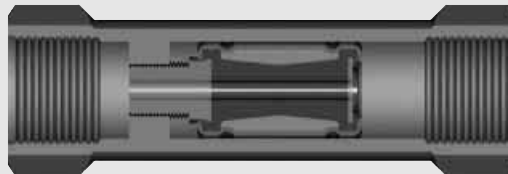


Figure 1 (Open)

**Figure 2 (closed):** When steam reaches the modulator, it closes.

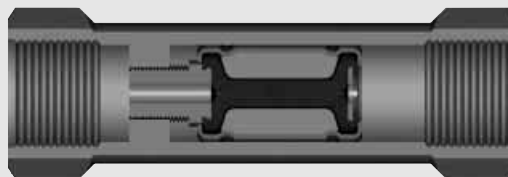


Figure 2 (Closed)

**Figure 3 (modulated):** After the Pinch Trap closes, the variable passage modulates in response to the condensate load. The passage adjusts to the load requirements.

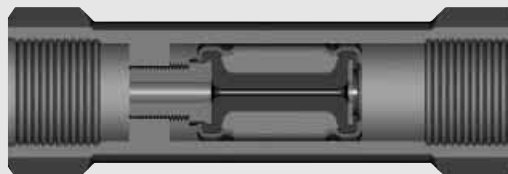
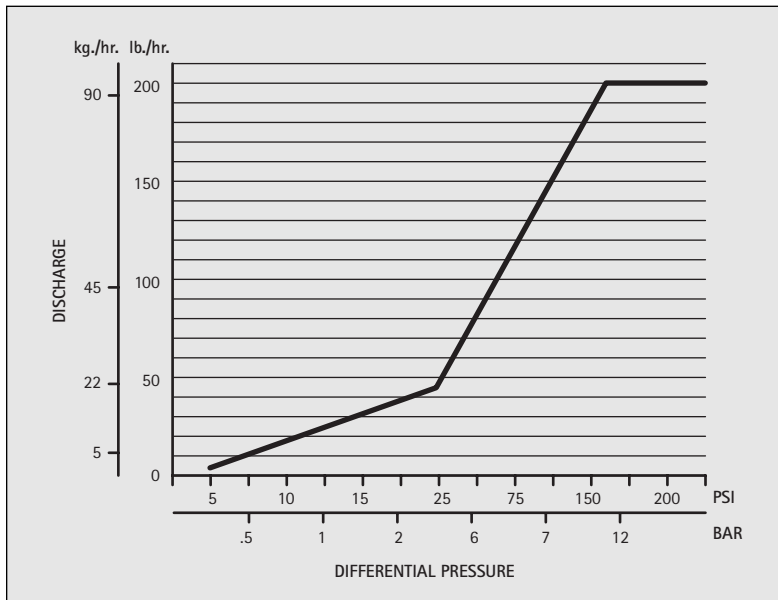


Figure 3 (Modulated)

# Model OPT – for saturated steam systems only

Fixed condensate discharge temperature of ~240°F (115C)

Model OPT 1-25 has a discharge temperature of ~200F (93C)



## Applications

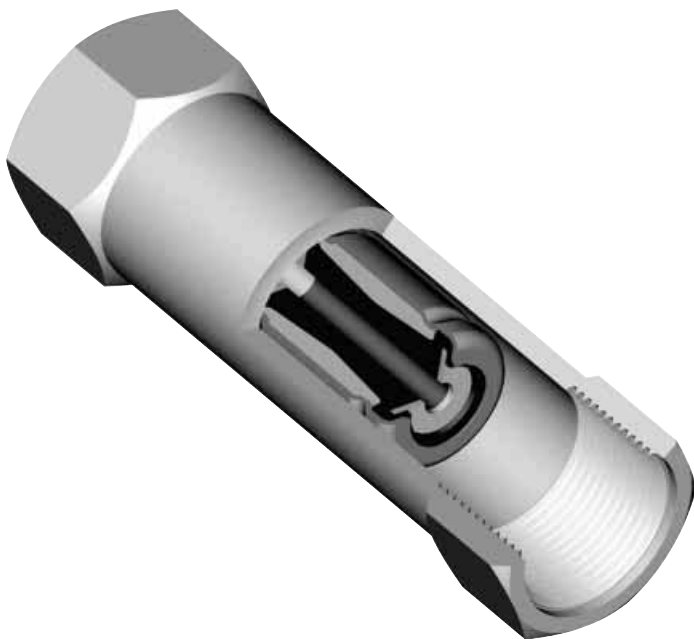
- Drip legs
- Winterizing steam tracing
- Process steam tracing
- Maintaining analyzer sample lines
- Instrument enclosure heater discharge
- Autoclaves
- Radiators
- Light loads

Start-up removal up to 1,000 lb./hr. (454 kg./hr.)

Maximum condensate discharge up to 200 lb./hr. (90 kg./hr.)

## Longer Lasting By Design

The self-repairing variable passage design makes the Ogontz Pinch Trap immune to etching, a common cause of steam trap failure.

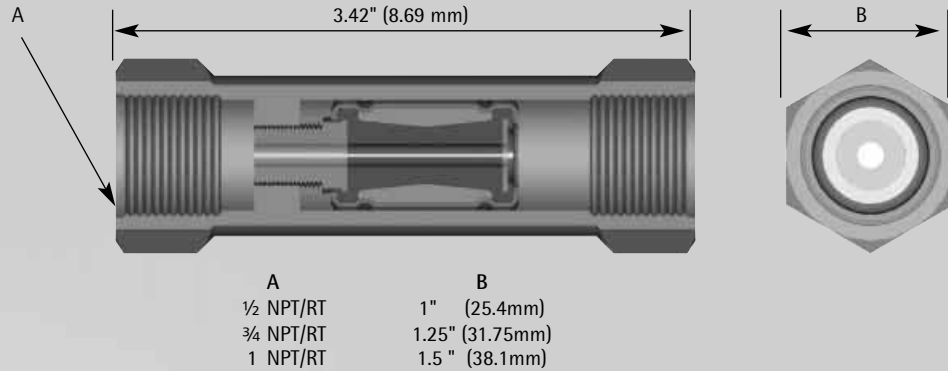


## Advantages

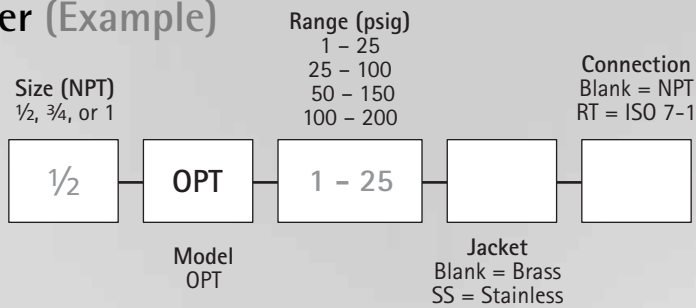
- Greater temperature control
- No moving parts
- No metal to metal seating
- Minimal live steam loss
- Back pressure insensitive
- Install in any position
- Self draining when in vertical position
- Automatic air venting

# Specifications and Ordering Information

## Dimensions



## How to Order (Example)



## The Ogontz Guarantee

We will repair or replace on a no-charge basis, F.O.B. Willow Grove, PA, any Pinch Trap units returned to us within 18 months, if found to be defective in material or workmanship.



2835 Terwood Road • Willow Grove, PA 19090 USA  
 800/523-2478 • 215/657-4770 • Fax: 215/657-0460  
 www.ogontz.com • info@ogontz.com

North America • South America • Europe • Asia  
 Copyright Ogontz Corporation, 2006 • Bulletin #OPT-03-06