

MF *SOLAR FREEZE PROTECTION VALVE*



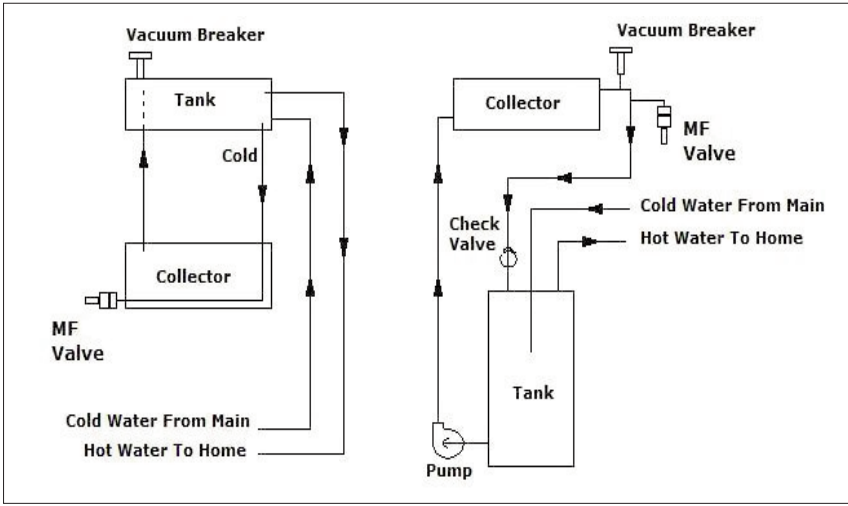
Design Features

- Brass Body
- Stainless Steel and Brass Internal Components
- Long life silicone plug seal
- Corrosion resistant
- Ogontz thermal actuator
- Maximum operating pressure 150 Psig [10.3 bar]

Benefits

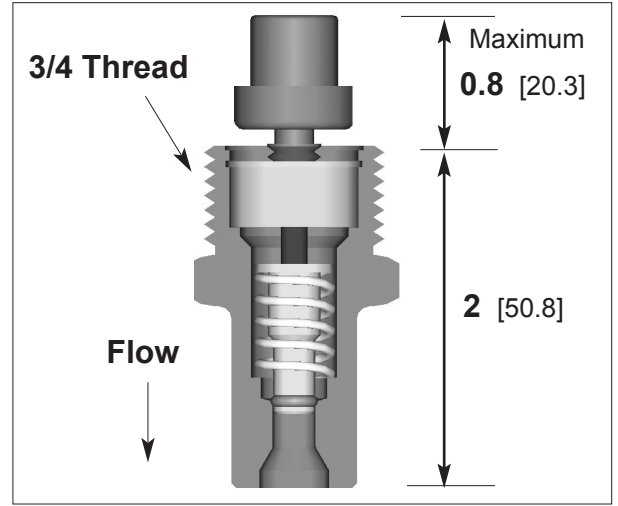
- Easy installation
- Reliable, unattended operation
- Minimal maintenance
- Provides effective freeze protection

Specification and Ordering Information



Thermosiphon System

Active Open Loop



Dimensions in inch [mm]

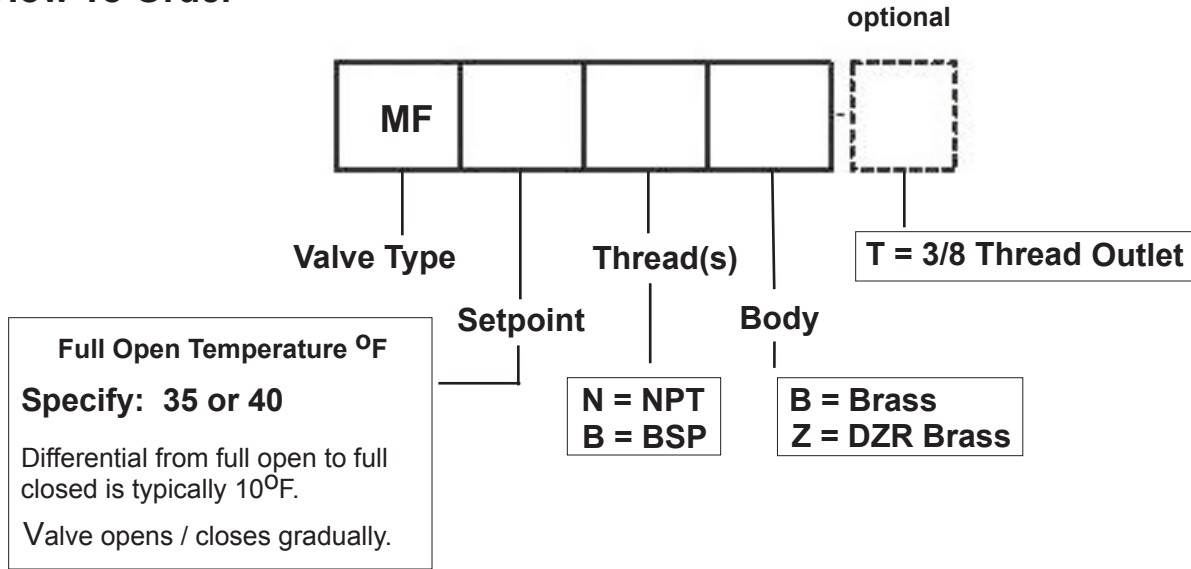
Valve Operation

Example: Model MF35 starts to open when water temperature is 39°F [3.9°C]. Valve is fully open at 35°F [1.7°C]. As water temperature raises, valve starts to close, and is fully closed by 45°F [7.2°C].

Model MF40 starts to open 43°F [6.1°C] and full open 40°F [4.4°C]

Maximum Pressure psig [bar]	Maximum Temperature °F [°C]	Cv	Weight oz [g]
150 [10.3]	250 [121]	0.4	5.3 [150]

How To Order



The Ogontz Guarantee: We will repair or replace on a no-charge basis FOB Willow Grove, PA, any valve returned to us within 18 months, if found to be defective in material or workmanship.



2835 Terwood Road • Willow Grove, PA 19090 USA
 800/523-2478 • 215/657-4770 • Fax: 215/657-0460
 www.ogontz.com • info@ogontz.com

North America • South America • Europe • Asia
 Copyright Ogontz Corporation, 2012 • Bulletin mf 5-12