

Mega-One LM

Low-Pressure Manual Valves

Multi-Colored Handles

Various colors are available to facilitate fluid identification.

End-Connections

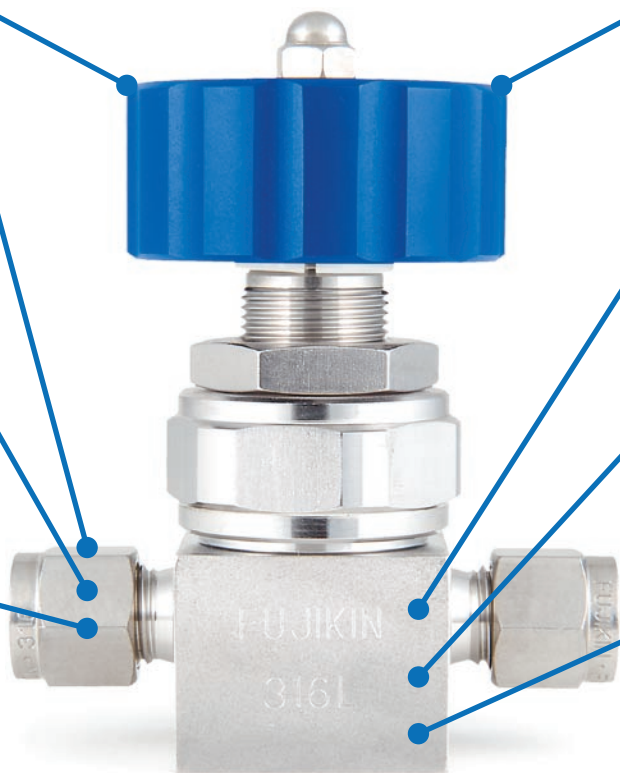
Available in tube-stub, UJR (VCR® compatible), UPG, F900 compression, and IGS surface-mount. This allows great installation flexibility – both in new gas lines as well as in existing lines.

Various Internal Options

Internal surfaces undergo an EP-Treatment as standard. UP Treatment, chrome oxide passivation, and SS316 double-melt bodies are also available

Minimal Internal Volume

1.48 cc total internal volume for the male UJR version ensures excellent gas displacement characteristics. This is less than half the internal volume of competitive valves.



Indicating Handwheel

Upon turning handwheel, the display within the indicating window changes to reveal a red "open" or a blue "close" indication.

Alloy Diaphragm

Nickel-cobalt alloy diaphragm minimizes particle generation, and provides an extremely durable shut-off surface against the seat.

PCTFE Seat

PCTFE is standard with polyimide and PFA as optional. The seat is fixed to ensure robust shut-off performance and minimize particle generation.

Stringent Leakage Standards

Seat and external leakage successfully test at 5×10^{-11} acc/sec – which is two orders of magnitude tighter than industry standards.

General Specifications

Available Sizes	1/4", 3/8", 1/2" (tube-stub)
Surface Finish	7 Ra average, 10 Ra maximum
Tested Durability	Over 20,000 cycles

Operating Specifications

Max Operating Pressure	145 psi (1 MPa)
Min Operating Pressure	Vacuum
Temperature Range	14 °F ~ 176 °F (-10 °C ~ 80 °C)

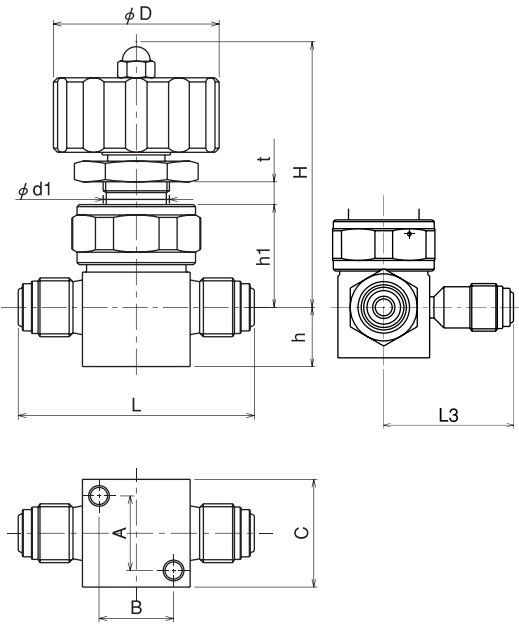
Materials of Construction

Body	SS 316L
Diaphragm	Nickel-cobalt alloy
Standard Seat	PCTFE
Optional Seat	Polyimide, PFA
Handle	Aluminum alloy

Functional Performance

Maximum Cv	0.3 (1/4") / 0.65 (3/8" & 1/2")
Leakage Across Seat (Design)	1×10^{-10} scc/sec He
Leakage Across Seat (Tested)	$< 5 \times 10^{-11}$ scc/sec He
Inboard Leakage (Design)	2×10^{-10} scc/sec He
Inboard Leakage (Tested)	$< 5 \times 10^{-11}$ scc/sec He

Dimensions



Part Number	L	L1	L2	L3	h	H	h1	Ød1	t	D	A	B	C
FUDDF-71G-6.35-NL	57.0				14.3	62.0	23.8	16.5	5.5	40	18.0	18.0	26
FUDDF-71G-9.52-NL	76.2				11.1	71.4	31.5	20.5	5.5	40	20.2	20.2	35
FUDDF-71G-6.35-UG	46.0				14.3	62.0	2.38	16.5	5.5	40	18.0	18.0	26
FUDDF-71G-9.52-UG	57.0				11.1	71.4	31.5	20.5	5.5	40	20.2	20.2	35
FUDDF-71G-6.35-UG-2	71.0				14.3	62.0	23.8	16.5	5.5	40	18.0	18.8	26
FUDDF-71G-9.52-UG-2	86.0				12.7	71.4	31.5	20.5	5.5	40	20.2	20.2	35
FUDDF-91G-6.35-NL	63.5				14.3	62.0	23.8	16.5	5.5	40	18.0	18.0	26
FUDDF-91G-9.52-NL	80.0				12.7	71.4	31.5	20.5	5.5	40	20.2	20.2	35
FUDDF-91G-12.7-NL	85.0				12.7	71.4	31.5	20.5	5.5	40	20.2	20.2	35
FUDDF-71G-6.35-2-NL	70.6				14.3	62.0	24.8	16.5	5.5	40	18.0	18.0	26
FUDDF-71G-9.52-2-NL	83.0				12.7	71.4	31.5	20.5	5.5	40	20.2	20.2	35
FUDDFTB-71G-6.35-NL	65.7	31.0	34.7	38.1	14.3	63.0	24.8	16.5	5.5	40	18.0	18.0	26
FUDDFTB-71G-9.52-NL	79.2	37.7	41.5	43.1	12.7	71.4	31.5	20.5	5.5	40	20.2	20.2	35
FUDDFTB-71G-9.52x6.35-NL	69.9	31.8	38.1	38.1	12.7	66.5	24.8	16.5	5.5	40	18.0	18.0	26

All dimensions in millimeters.

Part Number Designation

FUDDF TB - 51 G - 6.35 BW - NL - PI - UP

Series

FUDDF Round-Handle Stainless Steel Direct Diaphragm Valve

Valve Configuration

(Blank) 2-Way
TB 3-Port
CL 2-Way, Corner Left

End-Connections

5 Tube-Stub
7 UJR / UPG
9 F900 Compression

Max Operating Pressure

1 1 MPa (145 psi)

Indicator

G Open/Close Indicator

End-Connection Size

6.35 1/4"
9.52 3/8"
12.7 1/2"

Body & Internal Treatment Options

(Blank) EP Treatment
UP UP Treatment
PS Cr₂O₃ Treatment
FD Fluorine Passivation
316LP SS Double-Melt Body Material

Seat Material

(Blank) PCTFE
PI Polyimide
PA PFA

Diaphragm Material

NL Nickel-Cobalt Alloy

End-Connection Pattern

(Blank) Male UJR Both Ends
-2 Female UJR Both Ends
-3 Male UJR Inlet
UG Female UJR Outlet
UG UPG Both Ends
BW Butt Weld Both Ends

Fujikin

Fujikin Headquarters
 Kita-Hankyu Building
 1-4-8 Shibata, Kita-ku
 Osaka, 530
 Japan
 Tel 066-372-7141
 Fax 066-375-0697

Fujikin Deutschland
 Leopold Straße 9
 D-40211 Düsseldorf
 Germany
 Tel 49-211-350-458
 Fax 49-211-363-990

Fujikin of America, Inc.
 4677 Old Ironsides Dr
 Suite 100
 Santa Clara, CA 95054
 Tel 408-980-8269
 Fax 408-980-0572

Fujikin of America, Inc.
 2028 E Ben White Blvd
 Suite 320
 Austin, TX 78741
 Tel 512-912-9095
 Fax 512-912-8095

Fujikin of America, Inc.
 4 Alsan Way
 Little Ferry, NJ 07643
 Tel 201-641-1119
 Fax 201-641-1137

Fujikin of America, Inc.
 121 SW Salmon Street
 Suite 1100
 Portland, OR 97204
 Tel 503-471-1340
 Fax 503-471-1341