

Mega-One HQ

High-Pressure Manual Valves

Indicating Windows

Upon turning the handle, the display within the indicating windows change to reveal a red "open" or a blue "close" indication.

Various Internal Options

Internal surfaces undergo an EP-Treatment as standard. UP Treatment, chrome oxide passivation, and SS316 double-melt bodies are also optionally available

End-Connections

Available in tube-stub, UJR (VCR® compatible), UPG, F900 compression, and IGS surface-mount. This allows great installation flexibility – both in new gas lines as well as in existing lines.

Minimal Internal Volume

1.39 cc internal volume for the male UJR version ensures excellent gas displacement characteristics. This is less than half the internal volume of competitive valves.

Shaped Handle

Oval-shaped handle quickly identifies the valve's position as being open or closed.

Alloy Diaphragm

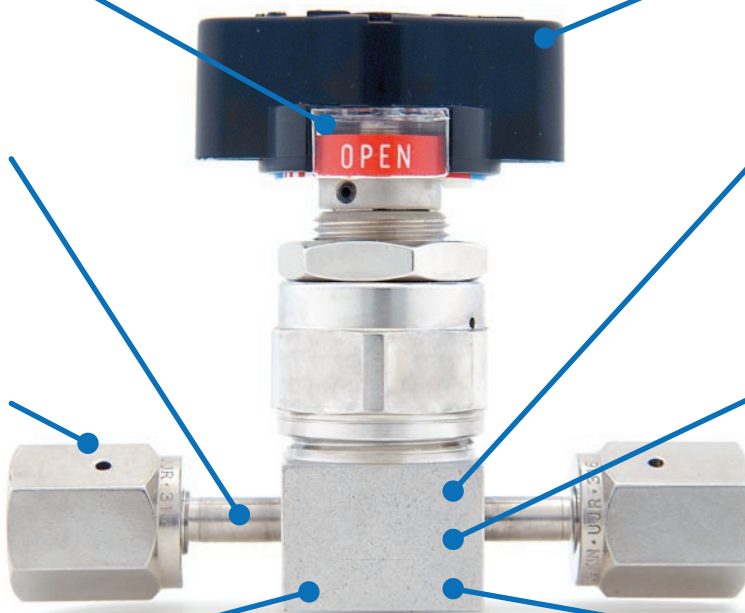
Nickel-cobalt alloy diaphragm minimizes particle generation, and provides a durable shut-off surface against the seat.

PCTFE Seat

PCTFE is standard with polyimide as optional. The seat is fixed to ensure robust shut-off performance and minimize particle generation.

Stringent Leakage Standards

Seat and external leakage successfully test at 5×10^{-11} acc/sec – which is two orders of magnitude tighter than industry standards.



General Specifications

Available Sizes	1/4", 3/8", 1/2" (tube-stub)
Surface Finish	7 Ra average, 10 Ra maximum
Tested Durability	Over 20,000 cycles

Materials of Construction

Body	SS 316L
Diaphragm	Nickel-cobalt alloy
Standard Seat	PCTFE
Optional Seat	Polyimide
Handle	Nylon® 66

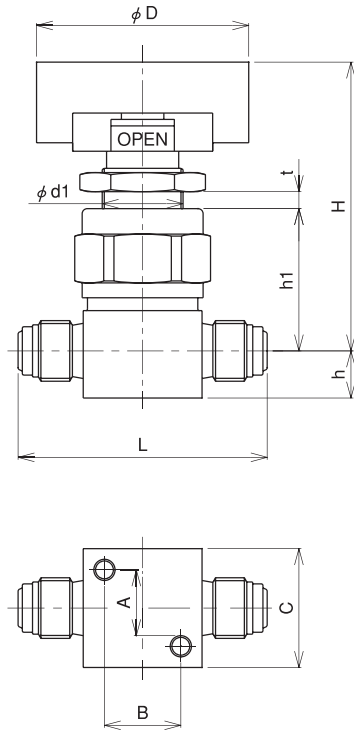
Operating Specifications

Max Operating Pressure	2,350 psi (16.2 MPa)
Min Operating Pressure	Vacuum
Temperature Range	14 °F ~ 104 °F (-10 °C ~ 40 °C)

Functional Performance

Maximum Cv	0.1
Leakage Across Seat (Design)	1×10^{-10} scc/sec He
Leakage Across Seat (Tested)	$< 5 \times 10^{-11}$ scc/sec He
Inboard Leakage (Design)	2×10^{-10} scc/sec He
Inboard Leakage (Tested)	$< 5 \times 10^{-11}$ scc/sec He

Dimensions



Part Number	L	H	h	h1	t	A	B	C	ØD	Ød1
FUDDFL-716G-6.35	58.7	67.0	11.1	32.5	4	18	18	28	50	19.2
FUDDFL-716G-9.52	76.2	70.5	11.1	36.0	4	18	18	28	50	19.2
FUDDFL-716G-6.35-UG	48.0	75.2	11.1	32.5	4	18	18	28	50	19.2
FUDDFL-716G-9.52-UG	50.0	75.2	11.1	32.5	4	18	18	28	50	19.2
FUDDFL-716G-6.35-2	76.2	67.0	11.1	32.5	4	18	18	28	50	19.2
FUDDFL-716G-6.35-BW	74.0	67.0	11.1	32.5	4	18	18	28	50	19.2
FUDDFL-916G-6.35-UG-2	71.0	67.0	11.1	32.5	4	18	18	28	50	19.2

All dimensions in millimeters.

Part Number Designation

FUDDFL TB - 5 16 G - 6.35 BW - PI - UP

Series

FUDDFL Quarter-Turn On/Off Handle SS
Direct Diaphragm Valve

Valve Configuration

(Blank) 2-Way
TB 3-Port
CL 2-Way, Corner Left

End-Connections

2 IGS Surface-Mount
5 Tube-Stub
7 UJR / UPG
9 F900 Compression

Max Operating Pressure

16 16.2 MPa (2,350 psi)

Indicator

G Open/Close Indicator

Body & Internal Finish Options

(Blank) EP Treatment
UP UP Treatment
PS Cr₂O₃ Treatment
FD Fluorine Passivation
316LP SS Double-Melt Body Material

Seat Material

(Blank) PCTFE
PI Polyimide

End-Connection Pattern

(Blank) Male UJR Both Ends
-2 Female UJR Both Ends
-3 Male UJR Inlet
Female UJR Outlet
UG UPG Both Ends
BW Butt Weld Both Ends

End-Connection Size

6.35 1/4"
9.52 3/8"
12.7 1/2"

Fujikin

Fujikin Headquarters
Kita-Hankyu Building
1-4-8 Shibata, Kita-ku
Osaka, 530
Japan
Tel 066-372-7141
Fax 066-375-0697

Fujikin Deutschland
Leopold Straße 9
D-40211 Düsseldorf
Germany
Tel 49-211-350-458
Fax 49-211-363-990

Fujikin of America, Inc.
4677 Old Ironsides Dr
Suite 100
Santa Clara, CA 95054
Tel 408-980-8269
Fax 408-980-0572

Fujikin of America, Inc.
2028 E Ben White Blvd
Suite 320
Austin, TX 78741
Tel 512-912-9095
Fax 512-912-8095

Fujikin of America, Inc.
4 Alsan Way
Little Ferry, NJ 07643
Tel 201-641-1119
Fax 201-641-1137

Fujikin of America, Inc.
121 SW Salmon Street
Suite 1100
Portland, OR 97204
Tel 503-471-1340
Fax 503-471-1341