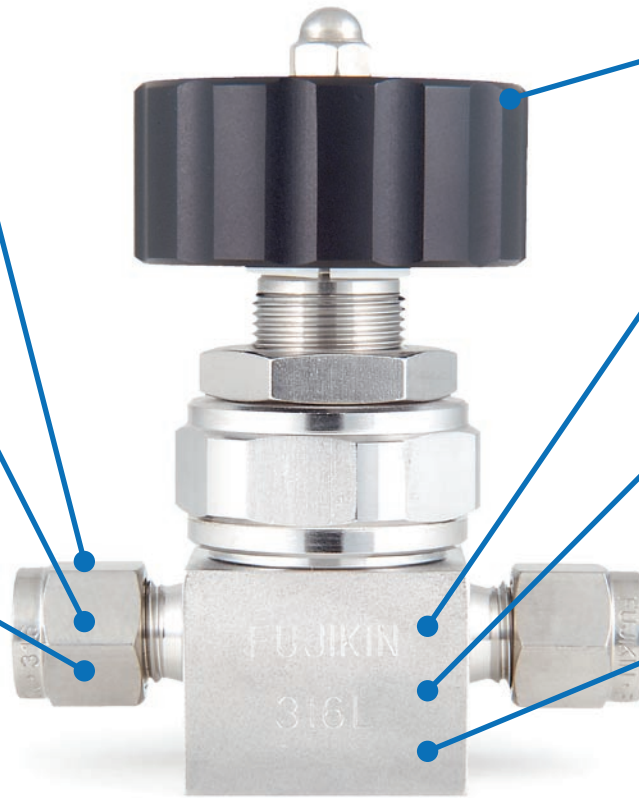


Mega-M LM

All-Metal Manual Valves



End-Connections

Available in tube-stub, UJR (VCR® compatible), UPG, F900 compression, and IGS surface-mount. This allows installation flexibility in new gas lines, as well as in existing lines without costly modifications.

Ultra-Smooth Internal Finish

All internal surfaces undergo a UP Treatment as standard, resulting in a surface finish of 2 Ra average, 5 Ra maximum.

Minimal Internal Volume

1.38 cc total internal volume for the male UJR version ensures excellent gas displacement characteristics. This is 2¼ times less than the internal volume of competitive valves!

Indicating Handwheel

Upon turning handwheel, the display within the indicating window changes to reveal a red "open" or a blue "close" indication.

Alloy Diaphragm

Nickel-cobalt alloy diaphragm minimizes particle generation, and provides a positive shut-off surface against the seat.

Metal Seat

All wetted surfaces are metallic by utilizing a metal seat, thereby enhancing tool performance, providing superior shut-off, and minimizing particle generation.

Stringent Leakage Standards

Seat and external leakage successfully test at 5×10^{-11} acc/sec – which is two orders of magnitude tighter than industry standards.

General Specifications

Available Sizes	1/4", 3/8"
Surface Finish	2 Ra average, 5 Ra maximum
Tested Durability	Over 20,000 cycles

Materials of Construction

Body	SS 316L
Diaphragm	Nickel-cobalt alloy
Standard Seat	Metal
Handle	Aluminum alloy

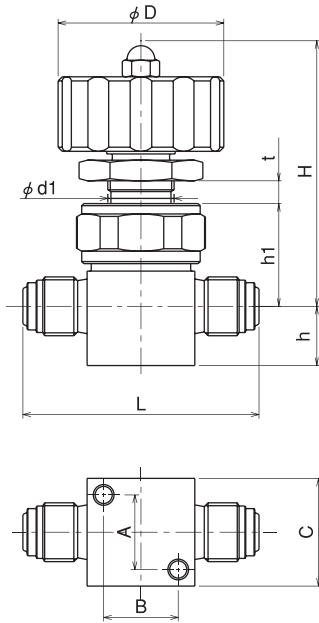
Operating Specifications

Max Operating Pressure	145 psi (1 MPa)
Min Operating Pressure	Vacuum
Temperature Range	14 °F ~ 302 °F (-10 °C ~ 150 °C)

Functional Performance

Maximum Cv	0.3 (1/4") / 0.65 (3/8" & 1/2")
Leakage Across Seat (Design)	1×10^{-10} scc/sec He
Leakage Across Seat (Tested)	$< 5 \times 10^{-11}$ scc/sec He
Inboard Leakage (Design)	2×10^{-10} scc/sec He
Inboard Leakage (Tested)	$< 5 \times 10^{-11}$ scc/sec He

Dimensions



Part Number	ϕD	L	H	h	t	h1	ϕd_1	A	B	C
FUDDFM-71G-6.35	40	57.0	62	14.3	5.5	23.8	16.5	18	18	26
FUDDFM-71G-6.35-2	40	70.6	62	14.3	5.5	23.8	16.5	18	18	26
FUDDFM-71G-6.35UG	40	46.0	62	14.3	5.5	23.8	16.5	18	18	26
FUDDFM-71G-6.35UG-2	40	71.0	62	14.3	5.5	23.8	16.5	18	18	26

All dimensions in millimeters.

Part Number Designation

FUDDFM - 5 1 G - 6.35 BW - FD

Series

FUDDF Round-Handle Stainless Steel Direct Diaphragm Valve

End-Connections

- 2** IGS Surface=Mount
- 5** Tube-Stub
- 7** UJR/UPG
- 9** F900 Compression

Max Operating Pressure

- 1** 1 MPa (145 psi)

Indicator

- G** Open/Close Indicator

Body & Internal Treatment Options

- (Blank)** UP Treatment
- PS** Cr₂O₃ Treatment
- FD** Fluorine Passivation
- 316LP** SS Double-Melt Body Material

End-Connection Pattern

- (Blank)** Male UJR Both Ends
- 2** Female UJR Both Ends
- UG** UPG Both Ends
- BW** Butt Weld Both Ends

End-Connection Size

- 6.35** 1/4"
- 9.52** 3/8"

Fujikin

Fujikin Headquarters
Kita-Hankyu Building
1-4-8 Shibata, Kita-ku
Osaka, 530
Japan
Tel 066-372-7141
Fax 066-375-0697

Fujikin Deutschland
Leopold Straße 9
D-40211 Düsseldorf
Germany
Tel 49-211-350-458
Fax 49-211-363-990

Fujikin of America, Inc.
4677 Old Ironsides Dr
Suite 100
Santa Clara, CA 95054
Tel 408-980-8269
Fax 408-980-0572

Fujikin of America, Inc.
2028 E Ben White Blvd
Suite 320
Austin, TX 78741
Tel 512-912-9095
Fax 512-912-8095

Fujikin of America, Inc.
4 Alsan Way
Little Ferry, NJ 07643
Tel 201-641-1119
Fax 201-641-1137

Fujikin of America, Inc.
121 SW Salmon Street
Suite 1100
Portland, OR 97204
Tel 503-471-1340
Fax 503-471-1341