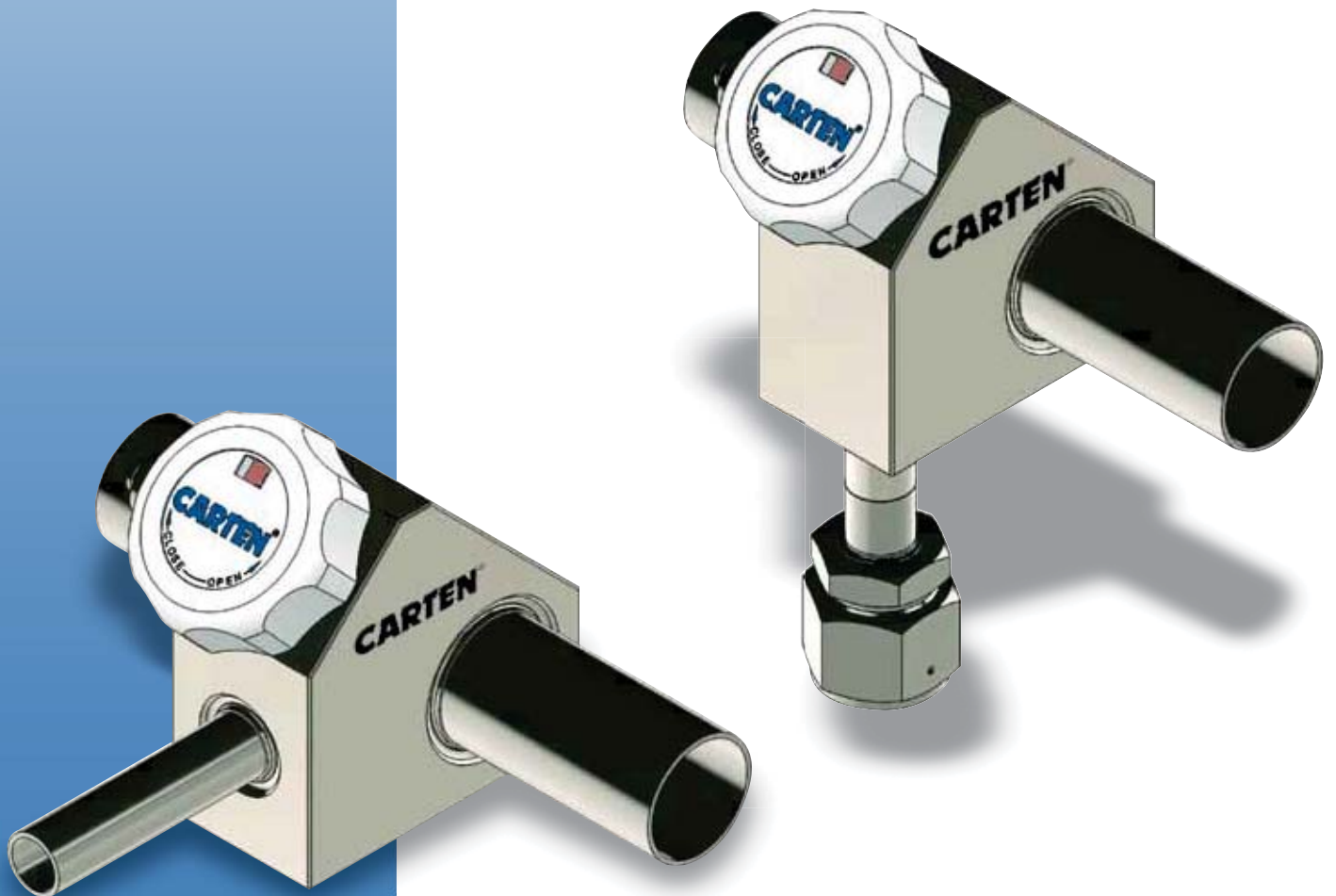
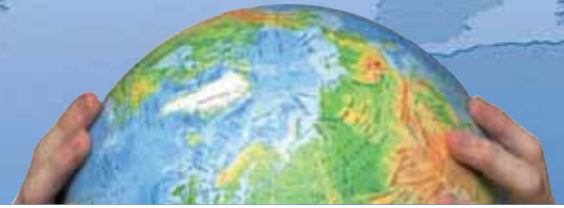


# UNIPILEX SERIES

High-Flow Design (UPCL)  
Ultra-High Purity Diaphragm Valves



# UNIPLEx SERIES



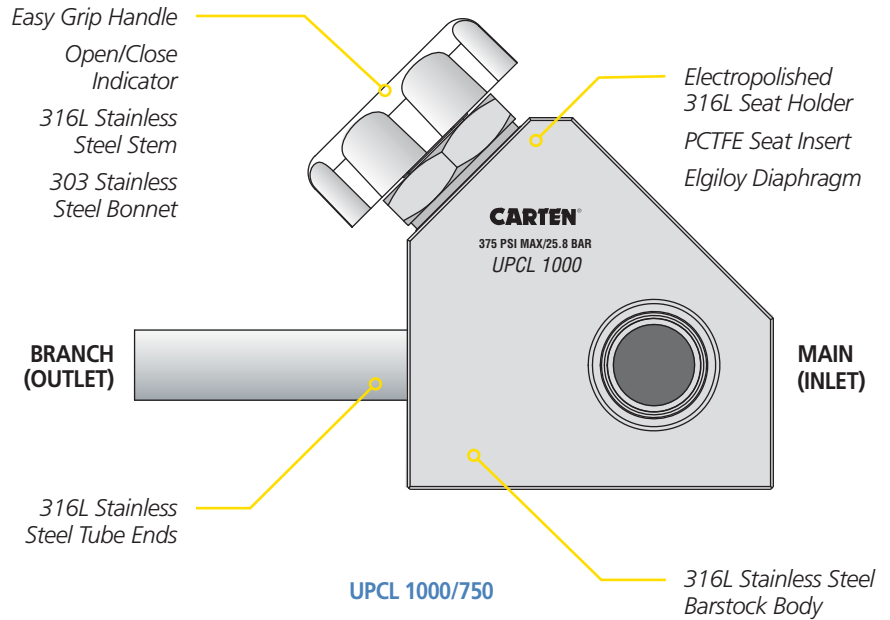
**NEW** This compact Uniplex (diaphragm design) high-flow valve series is intended for bulk gas distribution service where containment, cleanliness and purity are of utmost importance. Applications for this valve include:

- **Ultra-high purity gas system control valves**
- **Ultra-high purity gas control for point-of-use or service for hookups**
- **Superior containment and cleanliness for your most critical valve applications**
- **Suitable for inert and most toxic gases**

## UPCL Series Product Features

- **New** high-flow design
- Diaphragm Design for Ultra-High Purity and Long Cycle Life
- Elgiloy Tied-Diaphragm for Maximum Flow and High Life Cycle
- Springless, Packless Design
- No Internal Particle Shedding Components
- Electropolished Wetted Surfaces to 10 Ra Max (Optional surface finishes available)
- Industry Leading Design in Ultra-High Purity Gas Containment
- Assembled and Tested in Class 10 Cleanroom
- Valve Bodies and Tube Stubs are Serialized for Material Certification
- Purge Connections and Purge Valves are Integral in Valve Body
- Inboard and Across the Seat Leak Tested with Helium
- Cleaned for Ultra-High Purity Gas Service
- Purged and Final Packaged in Class 1 Cleanroom. Double-Bag Packaging with Ultra-High Purity N<sub>2</sub> Gas Environment

## UPCL Construction Materials



## UPCL Series Technical Data

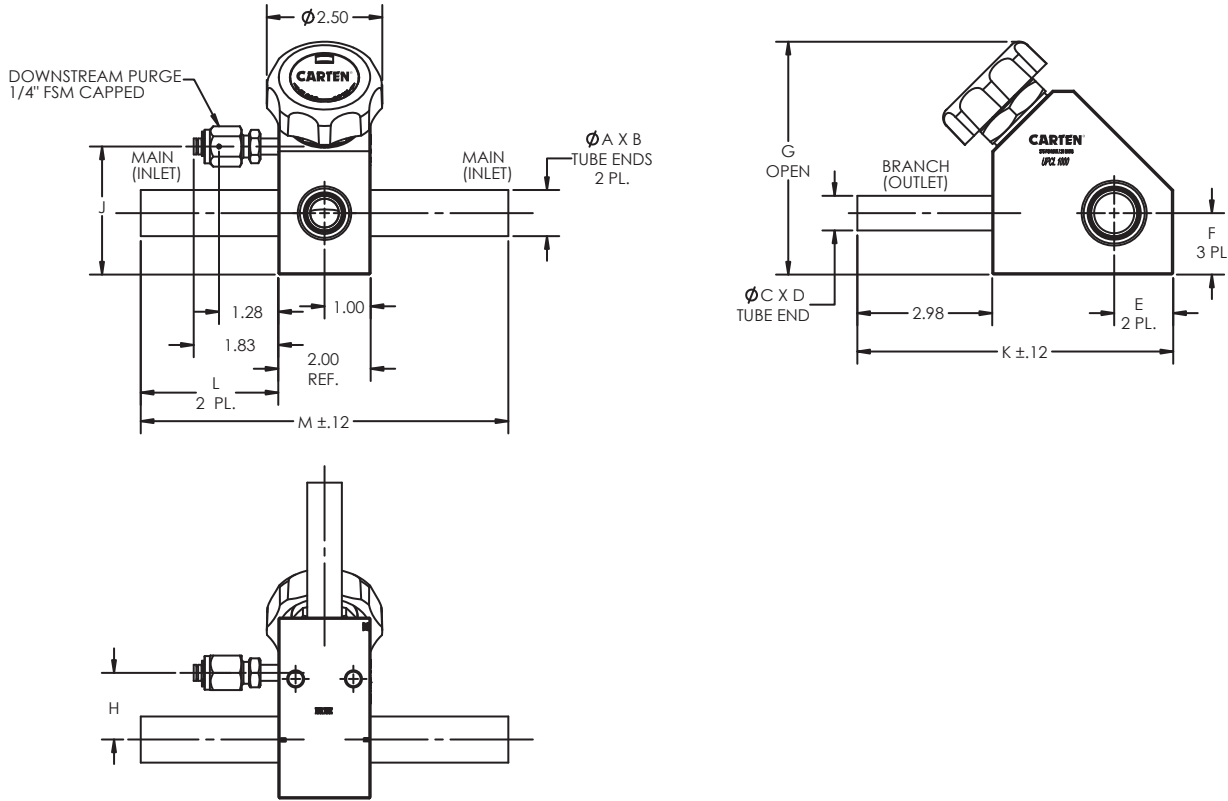
MATERIAL OF CONSTRUCTION	Wetted Areas	316L Stainless Steel, Elgiloy, PCTFE
	Non-Wetted Areas	316L Stainless Steel, 303 Stainless Steel
MAXIMUM OPERATING PRESSURE	Vacuum to 375 psig (0 - 25.8 bar)	
MAXIMUM OPERATING TEMPERATURE	PCTFE Seat	-22°F (-30°C) to 180°F (82°C)
	Vespel® Seat*	181°F (83°C) to 302°F (150°C)
FLOW COEFFICIENT (C <sub>v</sub> )	Model/Outlet	C <sub>v</sub> Value
	UPCL Series/Ø.750	5.00
	UPCL Series/Ø1.000	6.00
CYCLE LIFE	UPCL Series/Ø1.5000	8.00
	Model	Cycle Life
HELIUM LEAK TEST	UPCL Series	>3,000 @ 375 psig (25.8 bar)
	Inboard	1 x 10 <sup>-10</sup> Pa-m <sup>3</sup> /sec (1 x 10 <sup>-9</sup> atm-cc/sec Helium)
	Across the Seat	1 x 10 <sup>-10</sup> Pa-m <sup>3</sup> /sec (1 x 10 <sup>-9</sup> atm-cc/sec Helium)
CLEANLINESS AND PACKAGING	Outboard Pressure Test	1 x 10 <sup>-7</sup> Pa-m <sup>3</sup> /sec (1 x 10 <sup>-6</sup> atm-cc/sec Helium)
	Assembled and tested in CLASS 10 cleanroom. Purged and final packaged in Class 1 cleanroom. Double-bag packaging (2 mil nylon inner bag, 6 mil polyethylene outer bag) with Ultra-High Purity N <sub>2</sub> gas environment.	
STANDARD FINISH	Electropolished to 10 Ra Max (0.25 Ra µm) on all wetted surfaces	
OPTIONS	Surface finish: 20 Ra, 25 Ra, EP	
	Testing: Particle, moisture, THC and O <sub>2</sub> , SEM, ESCA and AES	
	Fitting connections available for up to 1.00" size – inlet/outlet	
	Material: Vespel® seat Handle color: Std. White Pneumatic Actuator: Please contact your Carten Sales Representative	

Specifications are subject to change without notice. Vespel® is a registered trademark of DuPont Company.

# UNIPLIX SERIES

## UPCL (CROSS) Series Typical Valve Dimensions

UPCL 1000-750-PC1FSM



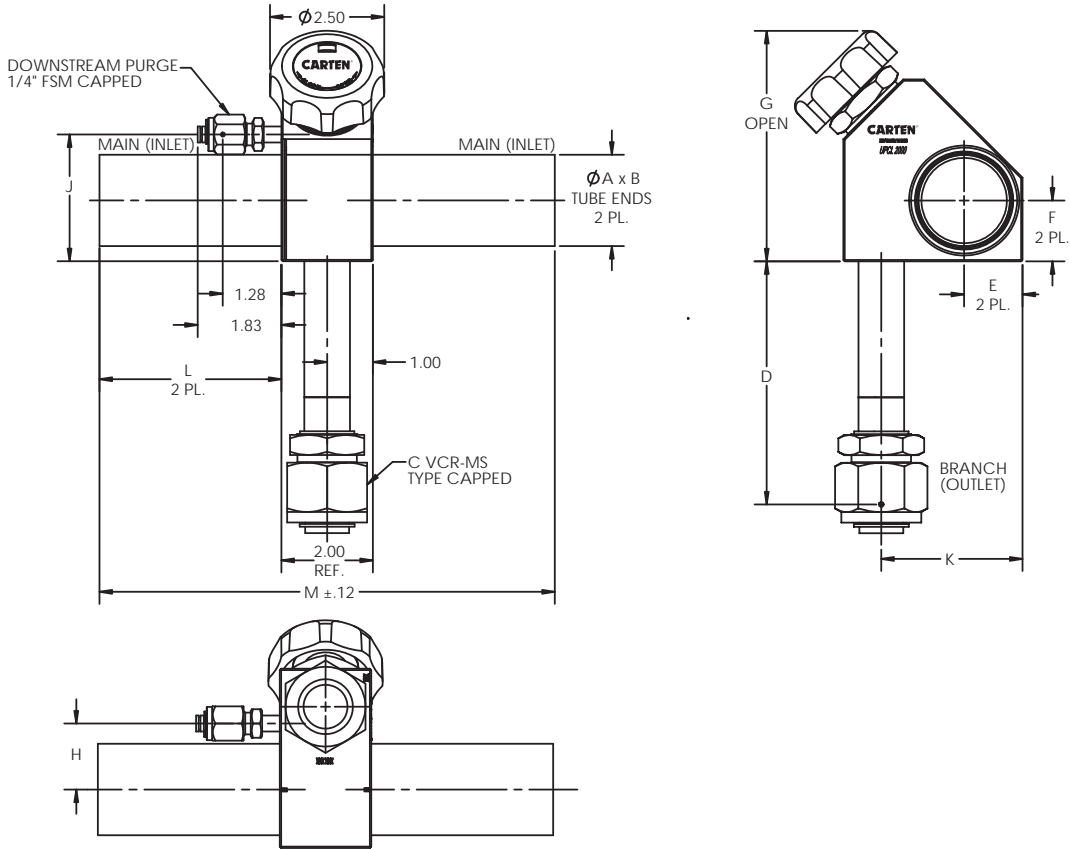
## UPCL (CROSS) Series Technical Dimensions

Size	A	B	C	D	E	F	G	H	J	K	L	M
UPCL 1000-750	Ø 1.00 (25.4mm)	0.065 (1.65mm)	Ø 0.75 (19.1mm)	0.065 (1.65mm)	1.28 (32.5mm)	1.33 (33.8mm)	5.04 (128.0mm)	1.44 (36.6mm)	2.77 (70.4mm)	6.90 (175.3mm)	2.98 (75.7mm)	7.96 (202.2mm)
UPCL 1000-1000	Ø 1.00 (25.4mm)	0.065 (1.7mm)	Ø 1.00 (25.4mm)	0.065 (1.7mm)	1.28 (32.5mm)	1.33 (33.8mm)	5.04 (128.0mm)	1.44 (36.6mm)	2.77 (70.4mm)	6.90 (175.3mm)	2.98 (75.7mm)	7.96 (202.2mm)
UPCL 1500-750	Ø 1.50 (38.1mm)	0.065 (1.7mm)	Ø 0.75 (19.1mm)	0.065 (1.7mm)	1.28 (32.5mm)	1.33 (33.8mm)	5.04 (128.0mm)	1.44 (36.6mm)	2.77 (70.4mm)	6.90 (175.3mm)	2.98 (75.7mm)	7.96 (202.2mm)
UPCL 1500-1000	Ø 1.50 (38.1mm)	0.065 (1.7mm)	Ø 1.00 (25.4mm)	0.065 (1.7mm)	1.28 (32.5mm)	1.33 (33.8mm)	5.04 (128.0mm)	1.44 (36.6mm)	2.77 (70.4mm)	6.90 (175.3mm)	2.98 (75.7mm)	7.96 (202.2mm)
UPCL 2000-750	Ø 2.00 (50.8mm)	0.065 (1.7mm)	Ø 0.75 (19.1mm)	0.065 (1.7mm)	1.28 (32.5mm)	1.33 (33.8mm)	5.04 (128.0mm)	1.44 (36.6mm)	2.77 (70.4mm)	6.90 (175.3mm)	3.98 (101.1mm)	9.96 (253.0mm)
UPCL 2000-1000	Ø 2.00 (50.8mm)	0.065 (1.7mm)	Ø 1.00 (25.4mm)	0.065 (1.7mm)	1.28 (32.5mm)	1.33 (33.8mm)	5.04 (128.0mm)	1.44 (36.6mm)	2.77 (70.4mm)	6.90 (175.3mm)	3.98 (101.1mm)	9.96 (253.0mm)
UPCL 3000-750	Ø 3.00 (76.2mm)	0.065 (1.7mm)	Ø 0.75 (19.1mm)	0.065 (1.65mm)	2.48 (63.0mm)	2.34 (59.4mm)	6.75 (171.5mm)	2.13 (54.1mm)	4.48 (113.8mm)	8.98 (228.1mm)	3.98 (101.1mm)	9.96 (253.0mm)
UPCL 3000-1000	Ø 3.00 (76.2mm)	0.065 (1.7mm)	Ø 1.00 (25.4mm)	0.065 (1.7mm)	2.48 (63.0mm)	2.34 (59.4mm)	6.75 (171.5mm)	2.13 (54.1mm)	4.48 (113.8mm)	8.98 (228.1mm)	3.98 (101.1mm)	9.96 (253.0mm)
UPCL 3000-1500	Ø 3.00 (76.2mm)	0.065 (1.7mm)	Ø 1.50 (38.1mm)	0.065 (1.7mm)	2.48 (63.0mm)	2.34 (59.4mm)	6.75 (171.5mm)	2.13 (54.1mm)	4.48 (113.8mm)	8.98 (228.1mm)	3.98 (101.1mm)	9.96 (253.0mm)
UPCL 4000-750	Ø 4.00 (101.6mm)	0.083 (2.11mm)	Ø 0.75 (19.1mm)	0.065 (1.7mm)	2.48 (63.0mm)	2.34 (59.4mm)	6.75 (171.5mm)	2.13 (54.1mm)	4.48 (113.8mm)	8.98 (228.1mm)	3.98 (101.1mm)	9.96 (253.0mm)
UPCL 4000-1000	Ø 4.00 (101.6mm)	0.083 (2.11mm)	Ø 1.00 (25.4mm)	0.065 (1.7mm)	2.48 (63.0mm)	2.34 (59.4mm)	6.75 (171.5mm)	2.13 (54.1mm)	4.48 (113.8mm)	8.98 (228.1mm)	3.98 (101.1mm)	9.96 (253.0mm)
UPCL 4000-1500	Ø 4.00 (101.6mm)	0.083 (2.11mm)	Ø 1.50 (38.1mm)	0.065 (1.7mm)	2.48 (63.0mm)	2.34 (59.4mm)	6.75 (171.5mm)	2.13 (54.1mm)	4.48 (113.8mm)	8.98 (228.1mm)	3.98 (101.1mm)	9.96 (253.0mm)

NOTE 1: All tolerances are ±0.06 in. (±1.52mm) unless otherwise stated. NOTE 2: Dimensional drawings shown are for reference only. Please contact CARTEN® for customer drawings.

# UPCL ( BTM ) Series Typical Valve Dimensions

UPCL 2000-1000-VC R-MS-BTM -PC1FS M



# UPCL ( BTM ) Series Technical Dimensions

UPCL WITH BOTTOM OUTLET PORTS

Size	A	B	C	D	E	F	G	H	J	K	L	M
UPCL 1000-750	Ø 1.00 (25.4mm)	0.065 (1.65mm)	Ø 0.75 (19.1mm)	2.97 (75.4mm)	1.28 (32.5mm)	1.33 (33.8mm)	5.04 (128.0mm)	1.44 (36.6mm)	2.77 (70.4mm)	3.61 (91.7mm)	2.98 (75.7mm)	7.96 (202.2mm)
UPCL 1000-1000	Ø 1.00 (25.4mm)	0.065 (1.7mm)	Ø 1.00 (25.4mm)	5.31 (134.9mm)	1.28 (32.5mm)	1.33 (33.8mm)	5.04 (128.0mm)	1.44 (36.6mm)	2.77 (70.4mm)	3.61 (91.7mm)	2.98 (75.7mm)	7.96 (202.2mm)
UPCL 1500-750	Ø 1.50 (38.1mm)	0.065 (1.7mm)	Ø 0.75 (19.1mm)	2.97 (75.4mm)	1.28 (32.5mm)	1.33 (33.8mm)	5.04 (128.0mm)	1.44 (36.6mm)	2.77 (70.4mm)	3.61 (91.7mm)	2.98 (75.7mm)	7.96 (202.2mm)
UPCL 1500-1000	Ø 1.50 (38.1mm)	0.065 (1.7mm)	Ø 1.00 (25.4mm)	5.31 (134.9mm)	1.28 (32.5mm)	1.33 (33.8mm)	5.04 (128.0mm)	1.44 (36.6mm)	2.77 (70.4mm)	3.61 (91.7mm)	2.98 (75.7mm)	7.96 (202.2mm)
UPCL 2000-750	Ø 2.00 (50.8mm)	0.065 (1.7mm)	Ø 0.75 (19.1mm)	2.97 (75.4mm)	1.28 (32.5mm)	1.33 (33.8mm)	5.04 (128.0mm)	1.44 (36.6mm)	2.77 (70.4mm)	3.61 (91.7mm)	3.98 (101.1mm)	9.96 (253.0mm)
UPCL 2000-1000	Ø 2.00 (50.8mm)	0.065 (1.7mm)	Ø 1.00 (25.4mm)	5.31 (134.9mm)	1.28 (32.5mm)	1.33 (33.8mm)	5.04 (128.0mm)	1.44 (36.6mm)	2.77 (70.4mm)	3.61 (91.7mm)	3.98 (101.1mm)	9.96 (253.0mm)
UPCL 3000-750	Ø 3.00 (76.2mm)	0.065 (1.7mm)	Ø 0.75 (19.1mm)	2.97 (75.4mm)	2.48 (63.0mm)	2.34 (59.4mm)	6.75 (171.5mm)	2.13 (54.1mm)	4.48 (113.8mm)	5.00 (127.0mm)	3.98 (101.1mm)	9.96 (253.0mm)
UPCL 3000-1000	Ø 3.00 (76.2mm)	0.065 (1.7mm)	Ø 1.00 (25.4mm)	5.31 (134.9mm)	2.48 (63.0mm)	2.34 (59.4mm)	6.75 (171.5mm)	2.13 (54.1mm)	4.48 (113.8mm)	5.00 (127.0mm)	3.98 (101.1mm)	9.96 (253.0mm)
UPCL 3000-1500*	Ø 3.00 (76.2mm)	0.065 (1.7mm)	Ø 1.50 (38.1mm)	0.065 (1.65mm)	2.48 (63.0mm)	2.34 (59.4mm)	6.75 (171.5mm)	2.13 (54.1mm)	4.48 (113.8mm)	5.00 (127.0mm)	3.98 (101.1mm)	9.96 (253.0mm)
UPCL 4000-750	Ø 4.00 (101.6mm)	0.083 (2.11mm)	Ø 0.75 (19.1mm)	2.97 (75.4mm)	2.48 (63.0mm)	2.34 (59.4mm)	6.75 (171.5mm)	2.13 (54.1mm)	4.48 (113.8mm)	5.00 (127.0mm)	3.98 (101.1mm)	9.96 (253.0mm)
UPCL 4000-1000	Ø 4.00 (101.6mm)	0.083 (2.11mm)	Ø 1.00 (25.4mm)	5.31 (134.9mm)	2.48 (63.0mm)	2.34 (59.4mm)	6.75 (171.5mm)	2.13 (54.1mm)	4.48 (113.8mm)	5.00 (127.0mm)	3.98 (101.1mm)	9.96 (253.0mm)
UPCL 4000-1500*	Ø 4.00 (101.6mm)	0.083 (2.11mm)	Ø 1.50 (38.1mm)	0.065 (1.65mm)	2.48 (63.0mm)	2.34 (59.4mm)	6.75 (171.5mm)	2.13 (54.1mm)	4.48 (113.8mm)	5.00 (127.0mm)	3.98 (101.1mm)	9.96 (253.0mm)

\* This size comes with Ø 1.50 x 0.065 Tube Ends x 2.98 LG.

NOTE 1: All tolerances are ±0.06 in. (±1.52mm) unless otherwise stated. NOTE 2: Dimensional drawings shown are for reference only. Please contact CARTEN® for customer drawings.

**CARTEN-Fujikin Inc.**  
High Performance Valves & Process Flow Solutions

604 W. Johnson Avenue, Cheshire, CT 06410  
phone: 203-699-2100 | fax: 203-699-2179  
email: sales@cartenus.com | www.cartenus.com

