

## Quick Connectors

Model TKM Liquid drop prevention connector **RoHS2**

TKM-6S-Pr / TKM-WP-6P

## Features

- It is able to prevent liquid drop when detaching plug and socket. (Residual liquid : 0.1cc)
- Super one-touch connection method makes operation easier than ever.

## Specifications

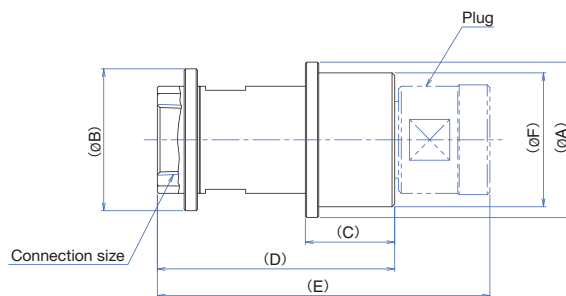
Temperature range	5~60℃
Connection size	3 : Rc3/8, 4 : Rc1/2, 6 : Rc3/4
Wetted parts	PFA, PTFE, PCTFE, Perfluor O-ring

## Models / Dimensions

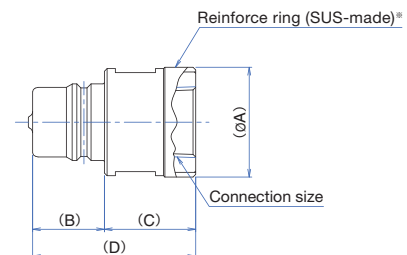
Plug Type	O-ring	Body	Connection	( $\phi$ A)	(B)	(C)	(D)	Width across flat	Reinforce ring <sup>®</sup>	Cap type No.
TKM-WP-3P	Perfluor	PCTFE	Rc3/8	30.0	19.0	22.6	41.6	26.0	Not available	PDC-P-G-CAP
TKM6F-WP-3P	Perfluor	PFA	Rc3/8	30.0	19.0	22.6	41.6	26.0	Available	PDC-P-G-CAP
TKM-WP-4P	Perfluor	PCTFE	Rc1/2	35.0	27.0	30.0	57.0	32.0	Not available	PDC-4P-CAP
TKM-WP-6P	Perfluor	PCTFE	Rc3/4	40.0	26.8	34.0	61.0	37.0	Not available	PDC-P-AN-CAP
TKM6F-WP-6P	Perfluor	PFA	Rc3/4	40.0	26.8	34.0	61.0	37.0	Available	PDC-P-AN-CAP

Socket Type	O-ring	Body	Connection	( $\phi$ A)	( $\phi$ B)	(C)	(D)	(E)	( $\phi$ F)	Width across flat	Cap type No.
TKM-3S	FEP Jacket	PCTFE	Rc3/8	41.6	46.6	43.3	58.0	81.0	36.6	41.0	PDC-S-G-CAP
TKM6F-3S	FEP Jacket	PFA	Rc3/8	41.6	46.6	43.3	58.0	81.0	36.6	41.0	PDC-S-G-CAP
TKM-4S-Pr	Perfluor	PCTFE	Rc1/2	53.0	53.0	31.0	82.5	109.5	45.0	32.0	PDC-4S-CAP
TKM-6S-Pr	Perfluor	PCTFE	Rc3/4	58.0	53.0	34.0	89.0	124.0	50.0	37.0	PDC-6S-CAP
TKM6F-6S-Pr	Perfluor	PFA	Rc3/4	58.0	53.0	34.0	89.0	124.0	50.0	37.0	PDC-6S-CAP

## ●Socket

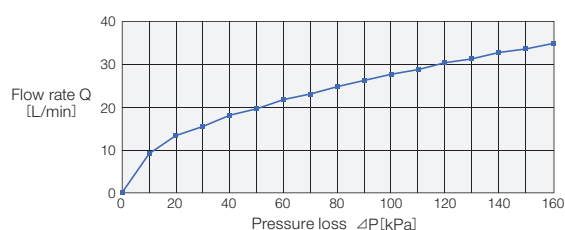


## ●Plug

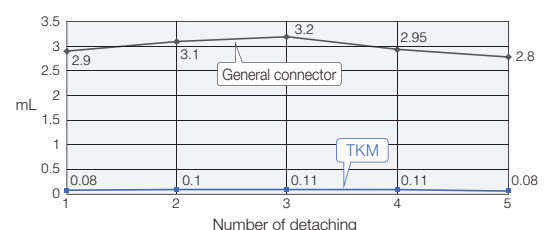


※TKM-3S and TKM6F-3S does not have function of liquid drop prevention. Connection method is same as the other TKM model.  
 ※Please contact us if you need drop prevention type in Rc 3/8 size.

## Flow Characteristics



## Residual Liquid Measure when detaching socket and plug



※The data is reference value, not a guaranteed value.

# Model TKM-BPF / Model TKM-BQ4F RoHS2

## Liquid drop prevention connector for compact bottle (15L, 18L)



It has been developed as a connector that combines safety, air tightness, and workability for use as a transport container (pressurized type) for semiconductor high purity and medical chemicals, and industrial cleaning fluids.

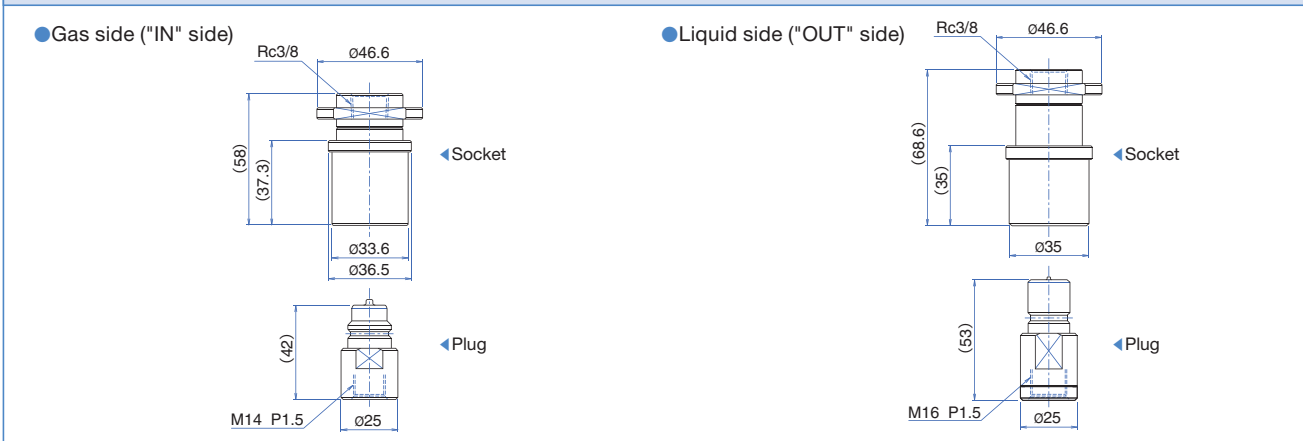
### Features

- It is able to prevent liquid drop when detaching plug and socket. (Residual liquid : 0.05cc or less)
- Super one-touch connection method makes installation easier than ever.
- There are two types of plug materials, PTFE type and PFA type, and they can be selected according to the chemical solution.
- Connection-error prevention type is available.

### Models

	Plug (with cap)	Socket (Optional cap available)
Liquid side	<p><b>TKM-□-PO-PL</b></p> <ul style="list-style-type: none"> <li>→ O-ring material P : Perfluor</li> <li>→ Body material BQ4F : PTFE BPF : PFA</li> </ul>	<p><b>TKM-BPF-SO-P</b></p> <ul style="list-style-type: none"> <li>→ O-ring material P : Perfluor</li> </ul> <p>※Body Material is PFA.</p>
Gas side	<p><b>□-PI-P</b></p> <ul style="list-style-type: none"> <li>→ O-ring material P : Perfluor</li> <li>→ Body material BQ4F : PTFE BPF : PFA</li> </ul>	<p><b>S-BPF-SI-FL</b></p> <ul style="list-style-type: none"> <li>→ Valve : O-ring less</li> <li>→ Seal of plug : FEP Jacket O-ring</li> </ul> <p>※Body Material is PFA.</p>

### Dimensions



# Quick Connectors

## Model TKM-BPF / Model TKM-BQ4F Connection-error prevention type with difference Key-ring RoHS2



### Models

① Plug and difference Key-ring set

**TKM-□-PO-PL-TYPE □-□**

▶ Plug material BQ4F : PTFE  
BPF : PFA

▶ Key groove selection

② Difference Key-ring only

**DKR-□-□**

▶ Key groove selection

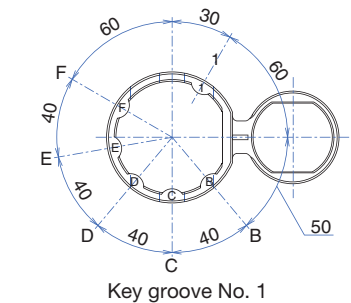
③ Socket on liquid side only

**TKM-BPF-SO-P-TYPE □-□**

▶ Key groove selection

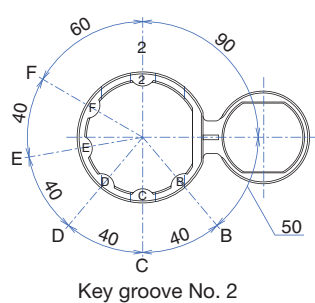
▶ Socket material BPF : PFA

### Difference Key-ring : Total 14 selections



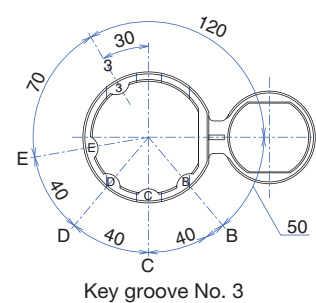
Key groove No. 1

TYPE 1-B  
1-C  
1-D  
1-E  
1-F



Key groove No. 2

TYPE 2-B  
2-C  
2-D  
2-E  
2-F



Key groove No. 3

TYPE 3-B  
3-C  
3-D  
3-E

### Installation Instructions

- ① After set plug in, embed difference key-ring in the connector. Then, confirm that the plug and the key-ring match faces.
- ② Once installation have done, it can not remove. Whenever you wish to remove it, cut bridge part.

### Cautions

- ① Connection error check  
Both connection-error prevention type with difference key ring and sleeve are natural color, and green color ring is used for standard type TKM plug and green sleeve is used for TKM standard type socket.
- ② Sales reminder  
Only for Model TKM plug is available.  
There can not be corresponding Model BQC, BPF, and BQ4F.

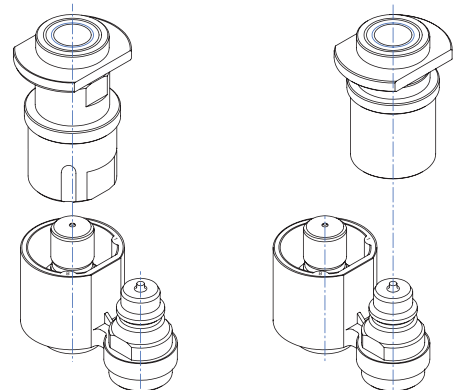
### Image figure (Reference example)

#### ● Liquid side

Socket : TKM-BPF-SO-P-TYPE1-B  
Plug : TKM-BPF-PO-PL-TYPE1-B

#### ● Gas side

Socket : S-BPF-SI-FL  
Plug : BPF-PI-P



## Model BQC Connector for compact bottle (PCTFE) RoHS2



Specifications	
Fluid pressure	350kPa
Temperature range	5~70°C
Connection size	Socket side : Rc3/8 Plug side : M14 P1.5 ("IN" side) M16 P1.5 ("OUT" side)
Accessories	PP-made plug cap, PP-made rotation stopper

Models		
	Plug	Socket
IN	<b>BQC-PI-P</b> (O-ring : Perfluor)	<b>BQC-SI-P</b> (O-ring : Perfluor)
	<b>BQC-PI-K</b> (O-ring : Kalrez®)	<b>BQC-SI-K</b> (O-ring : Kalrez®)
OUT	<b>BQC-PO-P</b> (O-ring : Perfluor)	<b>BQC-SO-P</b> (O-ring : Perfluor)
	<b>BQC-PO-K</b> (O-ring : Kalrez®)	<b>BQC-SO-K</b> (O-ring : Kalrez®)

## Model BPF Connector for compact bottle (PFA) RoHS2



Specifications	
Fluid pressure	250kPa
Temperature range	5~60°C
Connection size	Plug side : M14 P1.5 ("IN" side) M16 P1.5 ("OUT" side)
Accessories	PP-made plug cap, PP-made rotation stopper

Models		
	Plug	Socket
IN	<b>BPF-PI-P</b> (O-ring : Perfluor)	
OUT	<b>BPF-PO-P</b> (O-ring : Perfluor)	

## Model BQ4F connector for compact bottle (PTFE) RoHS2



Specifications	
Fluid pressure	250kPa
Temperature range	5~60°C
Connection size	Socket side : Rc3/8 Plug side : M14 P1.5 ("IN" side) M16 P1.5 ("OUT" side)
Accessories	PP-made plug cap, PP-made rotation stopper

Models		
	Plug	Socket
IN	<b>BQ4F-PI-P</b> (O-ring : Perfluor)	<b>BQ4F-SI-P</b> (O-ring : Perfluor)
OUT	<b>BQ4F-PO-P</b> (O-ring : Perfluor)	<b>BQ4F-SO-P</b> (O-ring : Perfluor)

\*Please select materials according to type of chemicals. BQC, BPF and BQ4F are compatible each other due to the same dimensions.

**Caution** Please apply operating fluids or DI water to the sealing part before using this product.

## Model QCH Quick Connector

RoHS2



## Specifications

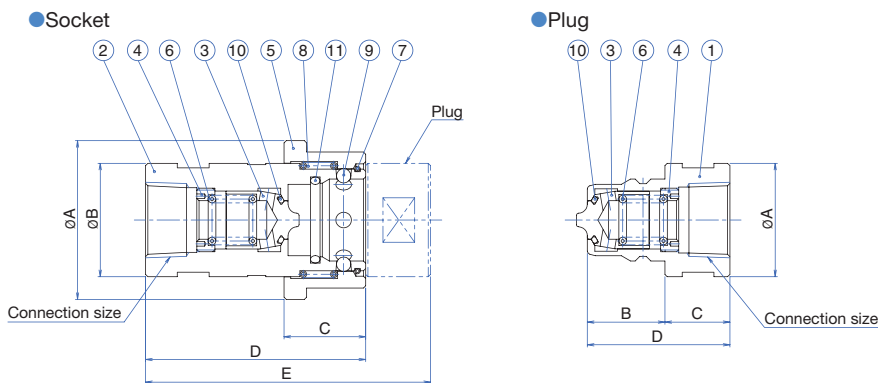
Fluid pressure	450kPa
Temperature range	5~70°C
Connection size	3:Rc3/8, 4:Rc1/2, 6:Rc3/4, 25A:Rc1, 40A:Rc1 1/2
Wetted parts	3·4·6:PCTFE, Various types of O-ring, PTFE, PFA 25A·40A:PCTFE, Various types of O-ring, PTFE

**Caution** Please apply operating fluids or DI water to the sealing part before using this product.

## Models / Dimensions / Parts list

Plug type	O-ring	Connection	∅A	B	C	D	Width across flat	Cap type
QCH-WP-3P	Perfluor	Rc3/8	30.0	16.5	28.8	45.3	26.0	QC-3-PP-P
QCH-WK-3P	Kalrez®	Rc3/8	30.0	16.5	28.8	45.3	26.0	QC-3-PP-P
QCH-WP-4P	Perfluor	Rc1/2	35.0	22.4	28.5	50.9	30.0	QC-4-PP-P
QCH-WK-4P	Kalrez®	Rc1/2	35.0	22.4	28.5	50.9	30.0	QC-4-PP-P
QCH-WP-6P	Perfluor	Rc3/4	40.0	22.4	34.1	56.5	37.0	QC-6-PP-P
QCH-WK-6P	Kalrez®	Rc3/4	40.0	22.4	34.1	56.5	37.0	QC-6-PP-P
QCH-WP-25AP	Perfluor	Rc1	50.0	34.2	28.6	62.8	46.0	QC-25A-PP-P
QCH-WK-25AP	Kalrez®	Rc1	50.0	34.2	28.6	62.8	46.0	QC-25A-PP-P
QCH-WP-40AP	Perfluor	Rc1 1/2	73.0	51.0	47.0	98.0	66.0	QC-40A-PP-P
QCH-WK-40AP	Kalrez®	Rc1 1/2	73.0	51.0	47.0	98.0	66.0	QC-40A-PP-P

Socket type	O-ring	Connection	∅A	∅B	C	D	E	Width across flat	Cap type
QCH-WP-3S	Perfluor	Rc3/8	35.0	30.0	22.3	61.8	90.5	26.0	QC-3-PP-S
QCH-WK-3S	Kalrez®	Rc3/8	35.0	30.0	22.3	61.8	90.5	26.0	QC-3-PP-S
QCH-WP-4S	Perfluor	Rc1/2	45.0	35.0	24.5	72.5	101.0	30.0	QC-4-PP-S
QCH-WK-4S	Kalrez®	Rc1/2	45.0	35.0	24.5	72.5	101.0	30.0	QC-4-PP-S
QCH-WP-6S	Perfluor	Rc3/4	50.0	40.0	26.0	79.4	113.5	37.0	QC-6-PP-S
QCH-WK-6S	Kalrez®	Rc3/4	50.0	40.0	26.0	79.4	113.5	37.0	QC-6-PP-S
QCH-WFP-25AS	Perfluor·FEP Jacket	Rc1	70.0	50.0	36.0	97.0	125.6	46.0	QC-25A-PP-S
QCH-WFK-25AS	Kalrez®·FEP Jacket	Rc1	70.0	50.0	36.0	97.0	125.6	46.0	QC-25A-PP-S
QCH-WFP-40AS	Perfluor·FEP Jacket	Rc1 1/2	95.0	73.0	54.0	144.0	191.0	66.0	QC-40A-PP-S
QCH-WFK-40AS	Kalrez®·FEP Jacket	Rc1 1/2	95.0	73.0	54.0	144.0	191.0	66.0	QC-40A-PP-S

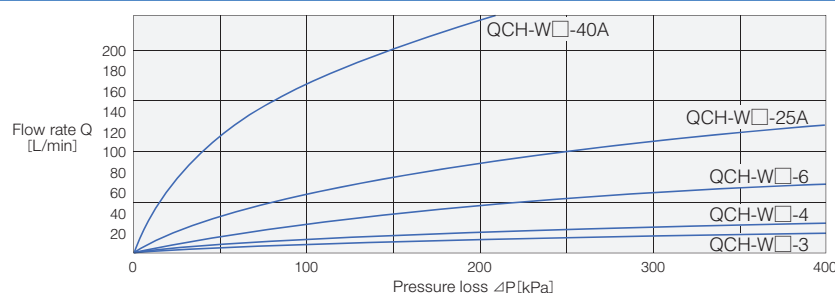


## Parts List

No.	Parts name	Material				
		3	4	6	25A	40A
1	Plug					
2	Socket					
3	Valve					
4	Stopper		PFA		PCTFE	
5	Sleeve		PCTFE		PP	
6	Spring for valve			PTFE		
7	Stop ring		PTFE		PP	
8	Spring for sleeve			PTFE		
9	Ball			PCTFE		
10	O-ring	*	*	*	*	*
11	O-ring	*	*	*	FEP	FEP

\* Please refer to the model information for O-ring material.

## Flow Characteristics



\* The flow rate on this chart is obtained when socket and plug are connected.  
\* The data is reference value, not a guaranteed value.



# Model QCH-F Quick Connector with Flange

**RoHS2**



QCH-WP-6P-F / QCH-WP-6S-F

## Specifications

Fluid pressure	450kPa
Temperature range	5~70°C
Wetted parts	6 : PCTFE, Various types of O-ring, PTFE, PFA 25A·40A : PCTFE, Various types of O-ring, PTFE

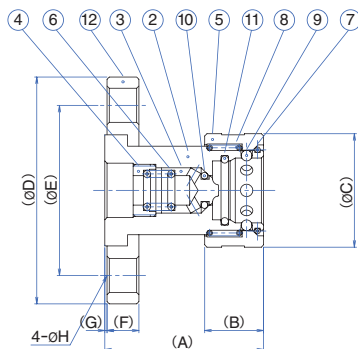
**Caution** Please apply operating fluids or DI water to the sealing part before using this product.

## Models / Dimensions / Parts list

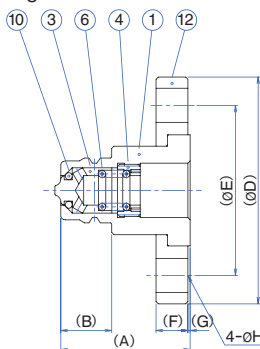
Plug type	O-ring	Flange	(A)	(B)	(øD)	(øE)	(F)	(G)	H	Cap type
QCH-WP-6P-F	Perfluor	JIS 10K 20A	57.0	22.4	100.0	75.0	14.0	1.0	15.0	QC-6-PP-P
QCH-WP-6P-ANSI-F	Perfluor	ANSI 150RF 20A	57.0	22.4	98.0	70.0	12.7	1.0	16.0	QC-6-PP-P
QCH-WK-6P-F	Kalrez®	JIS 10K 20A	57.0	22.4	100.0	75.0	14.0	1.0	15.0	QC-6-PP-P
QCH-WK-6P-ANSI-F	Kalrez®	ANSI 150RF 20A	57.0	22.4	98.0	70.0	12.7	1.0	16.0	QC-6-PP-P
QCH-WP-25AP-F	Perfluor	JIS 10K 25A	72.2	34.2	125.0	90.0	14.0	1.0	19.0	QC-25A-PP-P
QCH-WP-25AP-ANSI-F	Perfluor	ANSI 150RF 25A	72.2	34.2	108.0	79.5	14.3	1.0	16.0	QC-25A-PP-P
QCH-WK-25AP-F	Kalrez®	JIS 10K 25A	72.2	34.2	125.0	90.0	14.0	1.0	19.0	QC-25A-PP-P
QCH-WK-25AP-ANSI-F	Kalrez®	ANSI 150RF 25A	72.2	34.2	108.0	79.5	14.3	1.0	16.0	QC-25A-PP-P
QCH-WP-40AP-F	Perfluor	JIS 10K 40A	98.0	51.0	140.0	105.0	16.0	2.0	19.0	QC-40A-PP-P
QCH-WP-40AP-ANSI-F	Perfluor	ANSI 150RF 40A	98.0	51.0	127.0	98.5	17.5	2.0	16.0	QC-40A-PP-P
QCH-WK-40AP-F	Kalrez®	JIS 10K 40A	98.0	51.0	140.0	105.0	16.0	2.0	19.0	QC-40A-PP-P
QCH-WK-40AP-ANSI-F	Kalrez®	ANSI 150RF 40A	98.0	51.0	127.0	98.5	17.5	2.0	16.0	QC-40A-PP-P

Socket type	O-ring	Flange	(A)	(B)	(øC)	(øD)	(øE)	(F)	(G)	H	Cap type
QCH-WP-6S-F	Perfluor	JIS 10K 20A	70.0	26.0	50.0	100.0	75.0	14.0	1.0	15.0	QC-6-PP-S
QCH-WP-6S-ANSI-F	Perfluor	ANSI 150RF 20A	70.0	26.0	50.0	98.0	70.0	12.7	1.0	16.0	QC-6-PP-S
QCH-WK-6S-F	Kalrez®	JIS 10K 20A	70.0	26.0	50.0	100.0	75.0	14.0	1.0	15.0	QC-6-PP-S
QCH-WK-6S-ANSI-F	Kalrez®	ANSI 150RF 20A	70.0	26.0	50.0	98.0	70.0	12.7	1.0	16.0	QC-6-PP-S
QCH-WFP-25AS-F	Perfluor·FEP Jacket	JIS 10K 25A	97.0	36.0	70.0	125.0	90.0	14.0	1.0	19.0	QC-25A-PP-S
QCH-WFP-25AS-ANSI-F	Perfluor·FEP Jacket	ANSI 150RF 25A	97.0	36.0	70.0	108.0	79.5	14.3	1.0	16.0	QC-25A-PP-S
QCH-WFK-25AS-F	Kalrez®·FEP Jacket	JIS 10K 25A	97.0	36.0	70.0	125.0	90.0	14.0	1.0	19.0	QC-25A-PP-S
QCH-WFK-25AS-ANSI-F	Kalrez®·FEP Jacket	ANSI 150RF 25A	97.0	36.0	70.0	108.0	79.5	14.3	1.0	16.0	QC-25A-PP-S
QCH-WFP-40AS-F	Perfluor·FEP Jacket	JIS 10K 40A	112.0	54.0	95.0	140.0	105.0	16.0	2.0	19.0	QC-40A-PP-S
QCH-WFP-40AS-ANSI-F	Perfluor·FEP Jacket	ANSI 150RF 40A	112.0	54.0	95.0	127.0	98.5	17.5	2.0	16.0	QC-40A-PP-S
QCH-WFK-40AS-F	Kalrez®·FEP Jacket	JIS 10K 40A	112.0	54.0	95.0	140.0	105.0	16.0	2.0	19.0	QC-40A-PP-S
QCH-WFK-40AS-ANSI-F	Kalrez®·FEP Jacket	ANSI 150RF 40A	112.0	54.0	95.0	127.0	98.5	17.5	2.0	16.0	QC-40A-PP-S

### Socket



### Plug

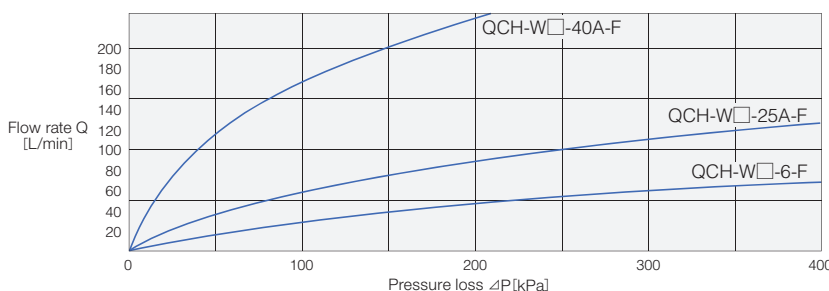


### Parts List

No.	Parts name	Material		
		6	25A	40A
1	Plug		PCTFE	
2	Socket		PCTFE	
3	Valve		PCTFE	
4	Stopper	PFA	PCTFE	
5	Sleeve	PCTFE		PP
6	Spring for valve		PTFE	
7	Stop ring	PTFE		PP
8	Spring for sleeve		PTFE	
9	Ball		PCTFE	
10	O-ring	*	*	*
11	O-ring	*	FEP	FEP
12	Flange			SUS316

\*Please refer to the model information for O-ring material.

## Flow Characteristics



\*The flow rate on this chart is obtained when socket and plug are connected.  
\*The data is reference value, not a guaranteed value.

## Quick Connectors

## Model QC4F Quick Connector (PTFE)

RoHS2



QC4F-WL-6P / WL-4P / WPL-4S / WPL-6S

## Features

- Body material is made of PTFE. It has excellent chemical resistance.
- The way of attachment and detachment are the same as QCH type.

## Specifications

Operating pressure	250kPa
Temperature range	5~60°C
Connection size	4:Rc1/2, 6:Rc3/4
Wetted parts	PTFE, PFA, Perfluor O-ring (Socket only)

**Caution** Please handle with care since PTFE is the softer material that compare with other fluorine resin.

## Models / Dimensions / Parts list

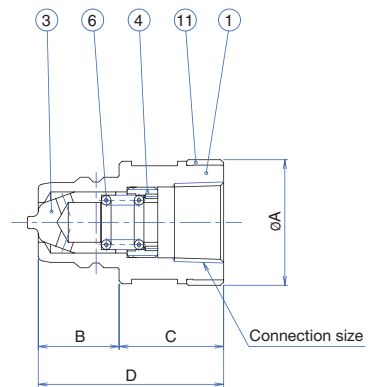
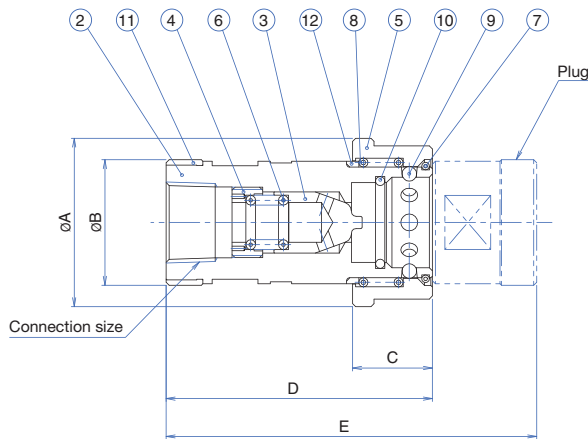
Plug type	Connection	øA	øB	C	D	Width across flats	Cap type
QC4F-WL-4P	Rc1/2	37.0	26.4	31.1	57.5	30.0	QC4F-4-PP-P
QC4F-WL-6P	Rc3/4	41.0	26.4	34.1	60.5	37.0	QC4F-6-PP-P

Socket type	O-ring	Connection	øA	øB	C	D	E	Width across flats	Cap type
QC4F-WPL-4S	Perfluor	Rc1/2	50.0	37.0	24.5	83.9	115.0	30.0	QC4F-4-PP-S
QC4F-WPL-6P	Perfluor	Rc3/4	55.0	41.0	26.0	86.9	121.0	37.0	QC4F-6-PP-S

## ●Socket

## ●Plug



## ●Parts List

P/No.	Parts name	Material
1	Plug	PTFE
2	Socket	PTFE
3	Valve	PFA
4	Stopper	PFA
5	Sleeve	PTFE
6	Spring for valve	PTFE
7	Stop ring	PTFE
8	Spring for sleeve	PTFE
9	Ball	PCTFE
10	O-ring	Perfluor
11	Reinforced ring	SUS304
12	Ring	PCTFE

# Model MQC-ML Mini Quick Connector

**RoHS2**



MQC-ML

### Features

- Connection type can be selected from Tube fitting or Rc thread type.
- It is easily detached by the one-touch connection method.
- It can also be used for gas-permeable chemicals.

### Specifications

Fluid pressure	200kPa
Temperature range	5~50°C
Connection	Tube fitting or Rc thread
Wetted parts	PTFE, PFA, Perfluor O-ring (socket only)
Accessories	PP-made cap

### Models

Plug type	O-ring	Valve size	Connection	Width across flats
MQC-MPL-1S-3	Perfluor	1/4"	ø3×ø2	16.0
MQC-MPL-1S-Rc1/4	Perfluor	1/4"	Rc 1/4	16.0

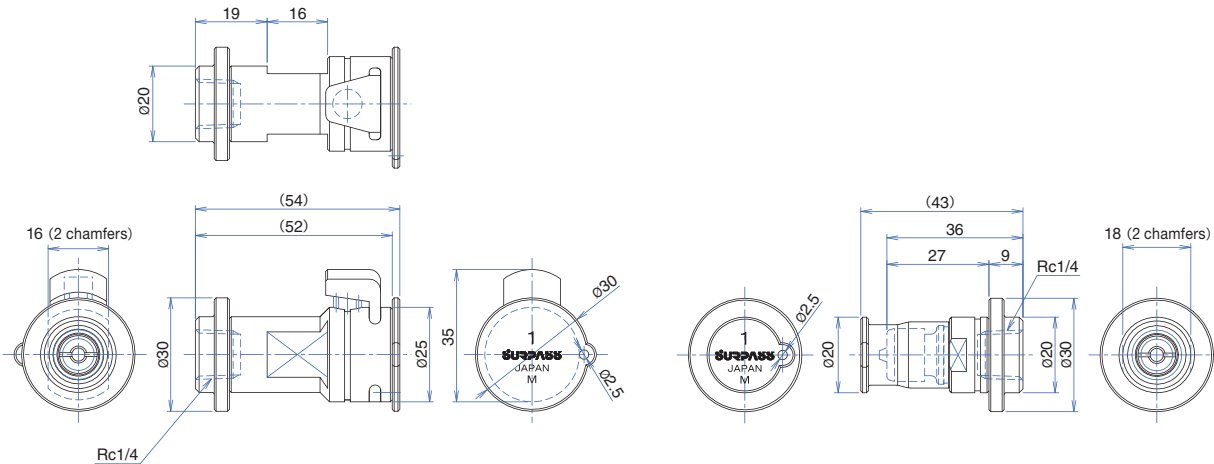
  

Socket type	Valve size	Connection	Width across flats
MQC-ML-1P-3	1/4"	ø3×ø2	18.0
MQC-ML-1P-Rc1/4	1/4"	Rc 1/4	18.0

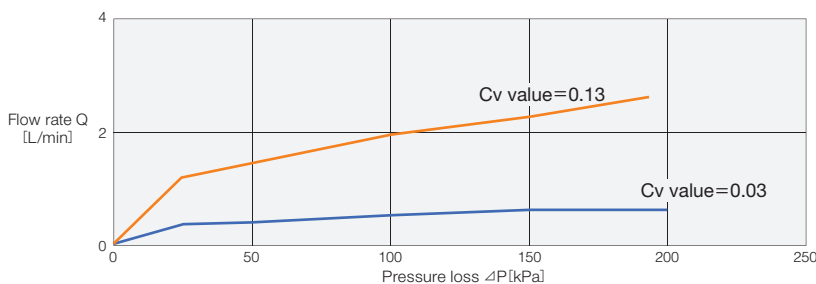
### Dimensions

●MQC-MPL-1S-Rc1/4

●MQC-ML-1P-Rc1/4



### Flow Characteristics



\*The data is reference value, not a guaranteed value.



## Quick Connectors

## Model QCP Quick Connector &lt;PP&gt;

RoHS2



QCP-WV-3P, QCP-WV-3S

## Features

- The body material is PP, it is lightweight.
- The way of attachment and detachment are the same as QCH type.

## Specifications

Operating pressure	350kPa
Temperature range	5~60°C
Connection size	3:Rc3/8, 4:Rc1/2
Wetted parts	PP, PTFE, PFA, PCTFE, Various types of O-ring

## Models / Dimensions / Parts list

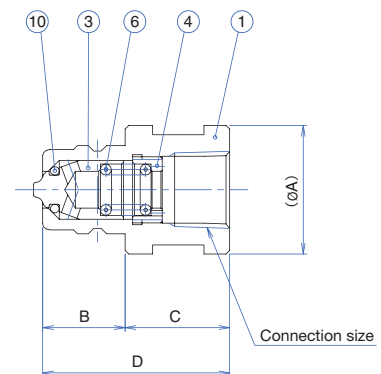
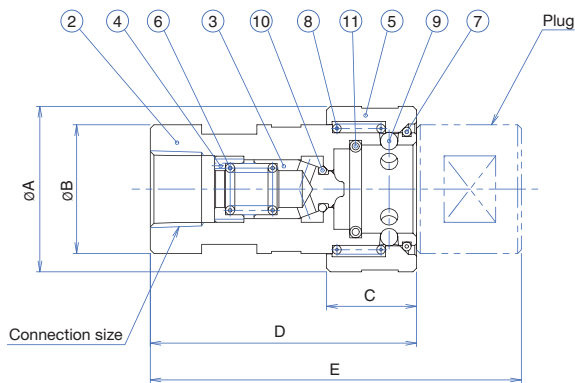
Plug type	O-ring	Connection	øA	B	C	D	Width across flats
QCP-WE-3P	EPDM	Rc3/8	30.0	16.5	28.75	45.25	26.0
QCP-WV-3P	FKM	Rc3/8	30.0	16.5	28.75	45.25	26.0
QCP-WE-4P	EPDM	Rc1/2	35.0	22.4	28.5	50.9	30.0
QCP-WV-4P	FKM	Rc1/2	35.0	22.4	28.5	50.9	30.0

Socket type	O-ring	Connection	øA	øB	C	D	E	Width across flats
QCP-WE-3S	EPDM·FEP Jacket	Rc3/8	35.0	30.0	22.5	61.75	90.5	26.0
QCP-WV-3S	FKM·FEP Jacket	Rc3/8	35.0	30.0	22.5	61.75	90.5	26.0
QCP-WE-4S	EPDM·FEP Jacket	Rc1/2	45.0	35.0	24.5	72.5	101.0	30.0
QCP-WV-4S	FKM·FEP Jacket	Rc1/2	45.0	35.0	24.5	72.5	101.0	30.0

※Optional cap available

## ●Socket

## ●Plug



## ●Parts List

P/No.	Parts name	Material
1	Plug	PP
2	Socket	PP
3	Valve	PCTFE
4	Stopper	PFA
5	Sleeve	PP
6	Spring for valve	PTFE
7	Stop ring	PTFE
8	Spring for sleeve	PTFE
9	Ball	PCTFE
10	O-ring	※
11	O-ring	FEP Jacket

※Please refer to the model information for O-ring material.

### ● Safety Instructions



- ⊙ Before using the product, read the instruction manual carefully and use it correctly. We are not liable for accidents that occurred during use other than those described in the instruction manual.
- ⊙ Use this product within the specified range.
- ⊙ Confirm the compatibility of the product material with the type of fluid and ambient atmosphere before use.
- ⊙ Do not detach quick connectors under pressurized conditions. It may cause chemical fluid to splash out, and injuries or serious accidents.
- ⊙ Using inappropriate O-ring material may cause leakage. Before specifying O-ring material to be used, make sure that is compatible with fluid type and temperature.
- ⊙ Do not use fluids that contain refuse or foreign matter, as this may interfere with normal function.
- ⊙ Abrasive or coagulate fluids may interfere with normal function, and take measures to prevent stacking residue on the wetted parts.
- ⊙ Do not use quick connectors in applications subject to flexural or tensile stress.
- ⊙ Make sure that every detachments of quick connectors are done in a clean, dust-free area.
- ⊙ Do not use the product with excessive vibration or shock.
- ⊙ When detach quick connectors, always wear a protective face mask, gloves, clothing.
- ⊙ Fully examine and select the appropriate material for the wetted parts.
- ⊙ Do not use the product in a harsh environment where fluid temperature changes rapidly, as this may cause damage to the product.
- ⊙ When using model TKM, QCH and BQC, please apply operating fluids or DI water to the sealing part beforehand.
- ⊙ The data is reference value, not a guaranteed value.
- ⊙ There is a risk of cracking connector material based upon the chemical solution used. Please be cautious to select the material before use.
- ⊙ Periodic inspection should be performed for safety when using chemical solution with high permeability for long time.
- ⊙ If static electricity is generated, the equipment may seriously damage. Please use after applying antistatic measures.
- ⊙ Do not warm up the product directly from the outside. It may cause external or internal leakage failure.

- Kalrez® is a registered trademark of DuPont.