

TMR *Temperature Control Valve*



Design Features

Self Operated

Brass or Stainless Steel

Body and Components

Long life HNBR plug seal

Corrosion resistant

Ogontz thermal actuator

Maximum operating

pressure 120 Psig [8.3 bar]

Benefits

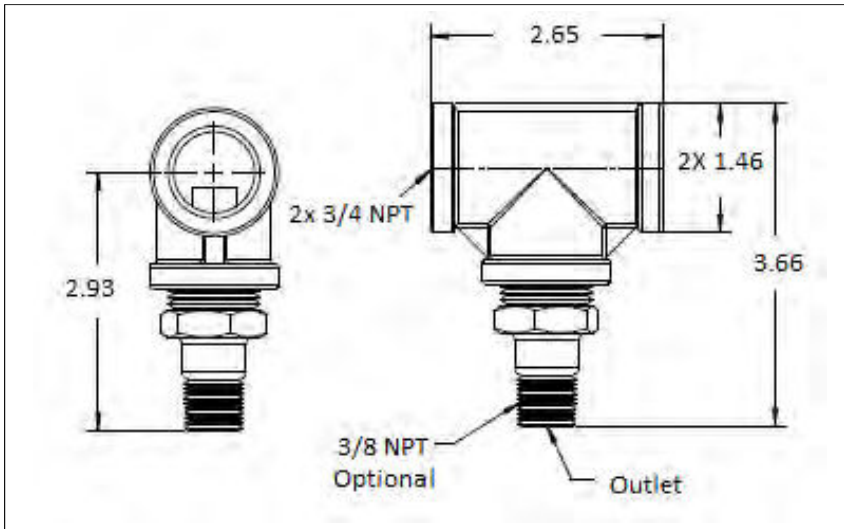
Easy installation

Reliable, unattended operation

Minimal maintenance

Provides effective control

Specification and Ordering Information



Dimensions in inch

Various Applications In

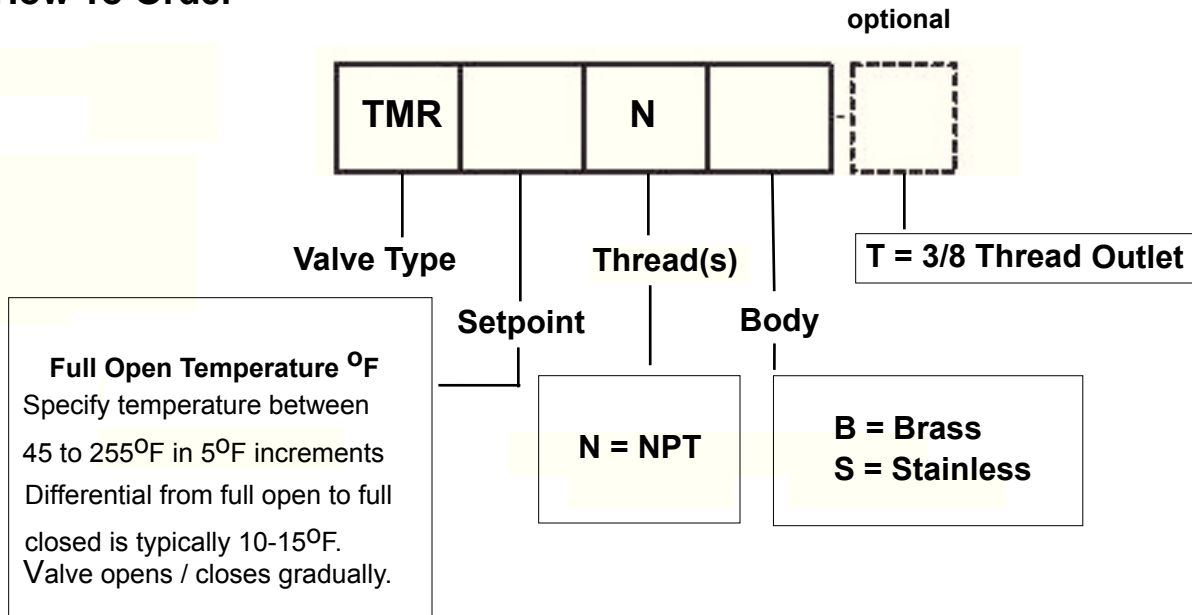
- Temperature Control
- Scald Protection
- Partial Bypass
- Bleed Off

Valve Operation

Example: Model TMR100 starts to open when water temperature is 85°F [29.5°C]. Valve is fully open at 100°F [37.7°C]. As water temperature lowers, valve starts to close, and is fully closed by 85°F [29.4°C].

Maximum Pressure psig [bar]	Maximum Temperature °F [°C]	Cv	Weight lb [Kg]
120 [8.3]	250 [121]	0.4	1 [0.45]

How To Order



The Ogontz Guarantee: We will repair or replace on a no-charge basis FOB Willow Grove, PA, any valve returned to us within 18 months, if found to be defective in material or workmanship.



2835 Terwood Road • Willow Grove, PA 19090 USA
800/523-2478 • 215/657-4770 • Fax: 215/657-0460
www.ogontz.com • info@ogontz.com

North America • South America • Europe • Asia
Copyright Ogontz Corporation, 2013 • Bulletin TMR-5-15