

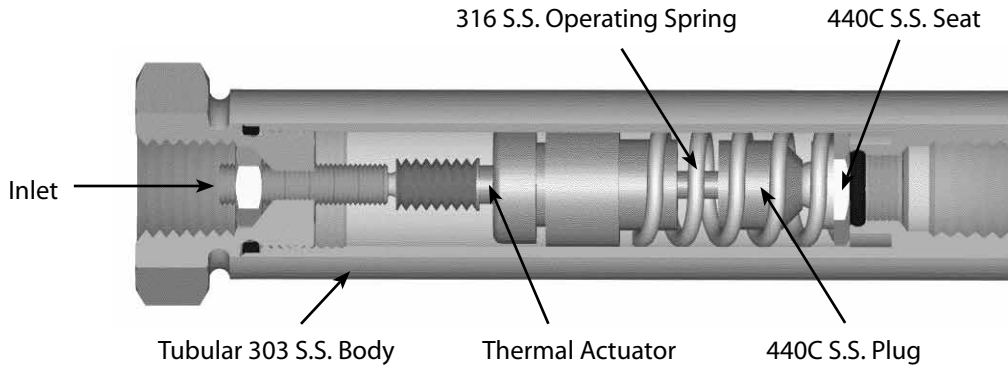
CTV Steam Trap



Design Features

- 200 PSIG (Maximum Operating Pressure)
- Conserves energy
- Minimizes flash and live steam losses
- Freeze protected — self draining
- Maintains temperature set point at any pressure
- Back pressure insensitive
- Throttles down to 1/2 pound per hour for extremely light loads
- 100% factory tested

Specification and Ordering Information



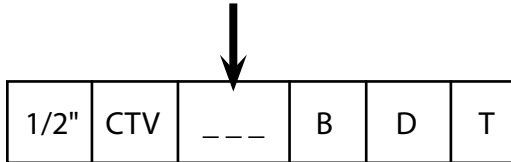
Inlet NPT	Outlet NPT	Operating Pressure (PSIG)	Cv	Standard Set Points	Weight (lbs)	Body Material
1/2"	1/2"	200	0.17	60, 100, 120 180, 240	0.75	T

- Flow coefficient Cv at set point
- Other temperature set points available. Consult local distributor
- T = tubular stainless steel

Note: To be used in saturated steam systems only

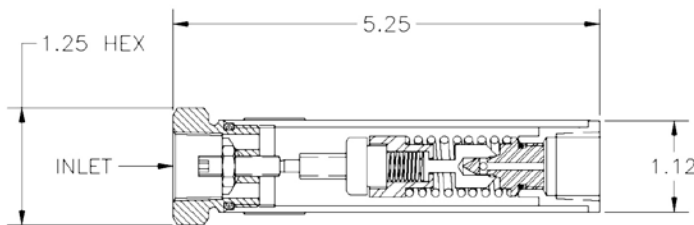
How To Order

Complete the model number by inserting the desired condensate discharge temperature.



Note: Valve will slowly actuate within a 15°F differential of specified setpoint.

Actual temperature settings would depend upon the requirements and variables of your specific application. A 180°F setting, for example, is ideal for most winterization systems; a 240°F setting is suggested for most process tracing and drip legs. For impulse and sample lines, a 60°F or 120°F setting could be used.



The Ogontz Guarantee

We will repair or replace on a no-charge basis, FOB Willow Grove, PA, any valves or traps returned to us within 18 months, if found to be defective in material or workmanship.



2835 Terwood Road • Willow Grove, PA 19090 USA
800/523-2478 • 215/657-4770 • Fax: 215/657-0460
www.ogontz.com • info@ogontz.com

North America • South America • Europe • Asia
Copyright Ogontz Corporation, 2004 • Bulletin #1-09