

AF Valve

Ambient Sensing Freeze Protection



Maximum Performance Minimum Cost

Design Features

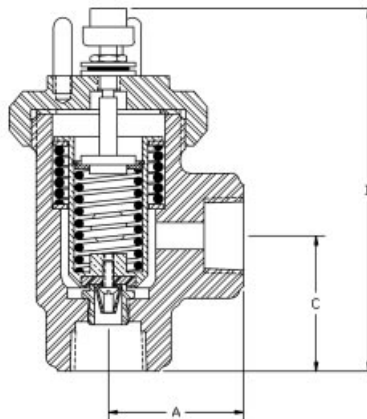
- Self-contained actuator
- No external power or remote signal
- In-line serviceability
- Insensitive to line pressure
- Valve opens/closes gradually, preventing system shock
- High repeatability: No set point drift
- Set points from 35 to 240°F
- Maximum working pressure 200 psig
- 100% factory tested

Benefits

- Easy installation
- Reliable, unattended operation
- Minimal maintenance requirements
- Eliminates costly freeze damage

Specification and Ordering Information

- Solid/Liquid Thermal Actuator
- Brass or Stainless Steel Body
- Stainless Steel Springs
- Stainless Steel Seat
- Silicone Plug Seal
- Factory Calibrated Set Point

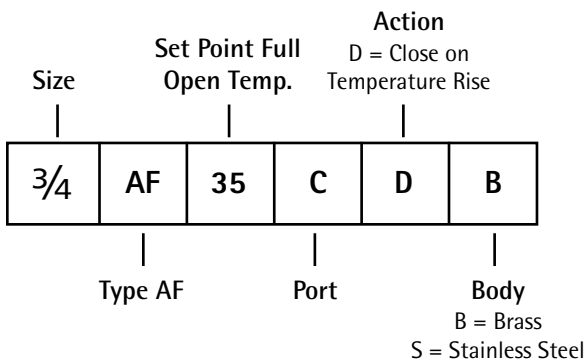


Size (npt)	Valve Type	Full Open Set Point	Port (inch)	Max. Operating (psig)	Cv	Action	Body Material	Dimensions	Net Weight (lbs)
3/4	AF	35 - 240°F	A = 1/8 B = 1/4 C = 3/8	200	0.5 0.8 1.0	D	B, S	A = 1-7/8 B = 5-1/4 C = 1-7/8	2.75

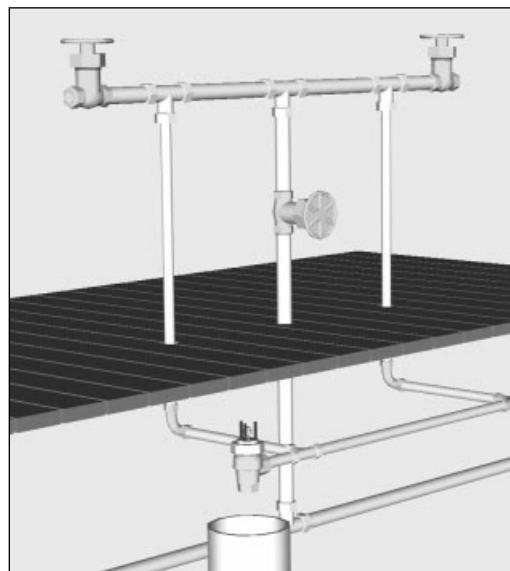
Maximum flow rate for water with valve fully open: $GPM = Cv \sqrt{\Delta P}$
 Direct Acting - Closes on temperature rise

How To Order – Example

To obtain an AF with bronze body, 3/8 port and full open set point of 35°F, specify model 3/4AF35CDB.



Note: Specify the desired full open set point temperature between 35 and 240°F in 5° increments. For freeze protection 35°F is the suggested set point. Differential from full open to full closed is typically 10 to 15°F. Valve opens/closes gradually. Valve normally fails in the open position.



Typical application: Maritime pier

The Ogontz Guarantee

We will repair or replace on a no-charge basis, F.O.B. Willow Grove, PA, any Ogontz product returned to us within 18 months, if found to be defective in material or workmanship.



2835 Terwood Road • Willow Grove, PA 19090 USA
 800/523-2478 • 215/657-4770 • Fax: 215/657-0460
 www.ogontz.com • info@ogontz.com

North America • South America • Europe • Asia
 Copyright Ogontz Corporation, 2006 • Bulletin #AF-08-06