

The Most Reliable Fittings in the World

New Distinctive Features:

- *Compact Design*
- *Unique, Low-Torque Sealing*
- *"Talk-back" Design - It Tells You When It's Right*
- *Full Flow and Clean Design – No Dead Space*
- *High Temperature, High Pressure Capability*



PILLAR

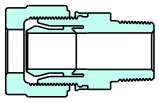
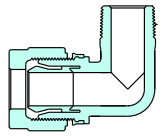
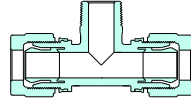
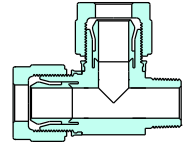
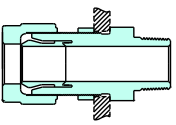
Super 300 Type Pillar Fitting®

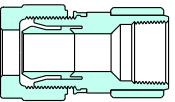
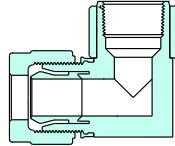
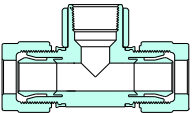
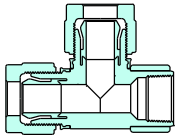
NIPPON PILLAR PACKING CO., LTD.

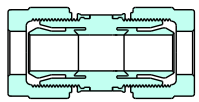
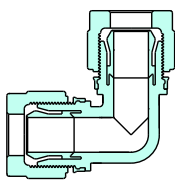
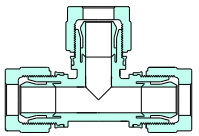
PPLC 0238

INDEX

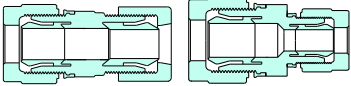
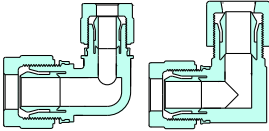
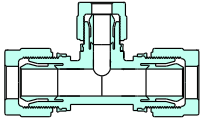
① Specification & Assembling _____	page
② Pillar Net Work _____	4
③ How to order _____	5
④ Part List _____	6,7,8
	A-1-1 ~ G-7

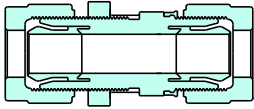
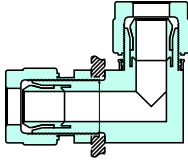
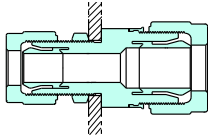
A Tube to Female pipe thread					
	MALE CONNECTOR	MALE ELBOW	MALE BRANCH TEE	MALE RUN TEE	PANEL MOUNT MALE CONNECTOR
Type					
Part No.	P-MC	P-ME	P-MBT	P-MRT	P-PMMC
Page	A-1-1 / A-1-2 G-1	A-2-1 / A-2-2 G-1	A-3	A-4	A-5

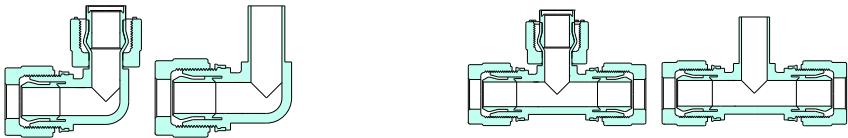
B Tube to Male pipe thread				
	FEMALE CONNECTOR	FEMALE ELBOW	FEMALE BRANCH TEE	FEMALE RUN TEE
Type				
Part No.	P-FC	P-FE	P-FBT	P-FRT
Page	B-1 G-2	B-2 G-2	B-3	B-4

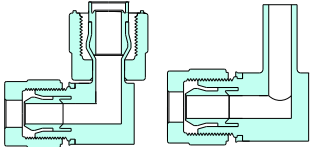
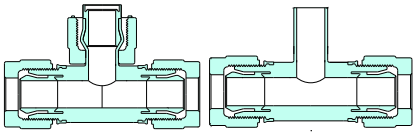
C Tube to Tube			
	UNION	UNION ELBOW	UNION TEE
Type			
Part No.	P-U	P-UE	P-UT
Page	C-1 G-3	C-1 G-3	C-1 G-3

- Custom designed fittings are available. Please consult Pillar representative for custom products.
- Large size (1-1/4" & 1-1/2") fitting is listed separately. (Page-G)
- Weldable type fitting is listed separately. (Page-F)

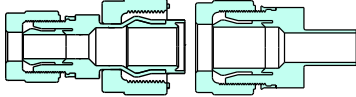
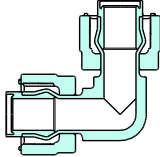
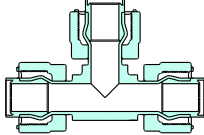
C Tube to Tube			
	REDUCING UNION	REDUCING UNION ELBOW	REDUCING UNION TEE
Type			
Part No.	P-RU	P-RUE	P-RUT
Page	C-2 G-5	C-3	C-4-1-①,② / C-4-2-①,② G-5

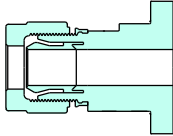
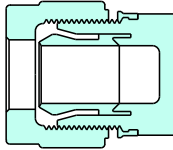
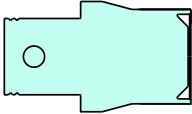
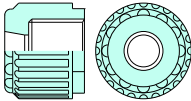
	PANEL MOUNT UNION	PANEL MOUNT UNION ELBOW	PANEL MOUNT REDUCING UNION
Type			
Part No.	P-PMU	P-PMUE	P-PMRU
Page	C-5 G-4	C-6	C-6 G-4

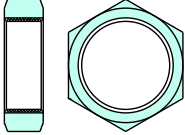
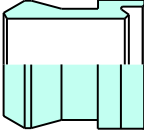
D Space saver	
	UNION ELBOW ADAPTOR UNION TEE ADAPTOR
Type	
Part No.	P-UEA P-UTA
Page	D-1 F-3 / G-6 D-2-1 / D-2-2 F-3

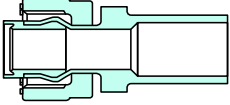
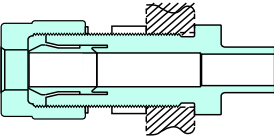
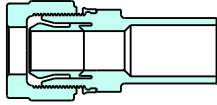
	REDUCING UNION ELBOW ADAPTOR	REDUCING UNION TEE ADAPTOR
Type		
Part No.	P-RUEA	P-RUTA
Page	D-3	D-4-1-①,② / D-4-2

- Custom designed fittings are available. Please consult Pillar representative for custom products.
- Large size (1-1/4" & 1-1/2") fitting is listed separately. (Page-G)
- Weldable type fitting is listed separately. (Page-F)

D Space saver			
	REDUCING UNION ADAPTOR	ELBOW ADAPTOR	TEE ADAPTOR
Type			
Part No.	P-RUA	P-EA	P-TA
Page	D-5	D-6	D-6

E Others				
	UNION FLANGE	CAP	CAP SLEEVE	UNION NUT
Type				
Part No.	P-UF	P-CP	P-CS	P-UN
Page	E-1	E-2 G-7	E-2 G-7	E-2 G-6

E Others		
	HALF NUT	SLEEVE
Type		
Part No.	P-HN	P-S
Page	E-3	E-3 G-7

F Pipe Weldable Type			
	PB ADAPTOR	PANEL MOUNT UNION ADAPTOR	UNION ADAPTOR
Type			
Part No.	P-PBA	P-PMUA	P-UA
Page	F-1	F-1	F-2

- Custom designed fittings are available. Please consult Pillar representative for custom products.
- Large size (1-1/4" & 1-1/2") fitting is listed separately. (Page-G)
- Weldable type fitting is listed separately. (Page-F)

Specification

Max temperature in operation

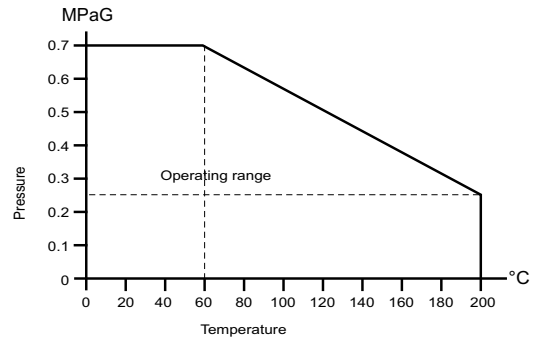
200°C

Max pressure in operation

0.7MPaG

Fluid

For liquid use only



• **Tube size**

metric connection		Unit : mm	
tube size O.D x I.D	Thickness	Tolerance	
		O.D	Thickness
3 x 2	0.5	± 0.10	± 0.05
4 x 3			
6 x 4	1.0	± 0.12	± 0.06
8 x 6			
10 x 8			
12 x 10			
19 x 15.8	1.6	± 0.20	± 0.10
25 x 22	1.5		

inch connection		Unit : mm	
tube size O.D x I.D	Thickness	Tolerance	
		O.D	Thickness
3.18 x 2.18 (1/8 x 0.086")	0.5	± 0.10	± 0.05
6.35 x 3.95 (1/4" x 5/32")	1.2		± 0.10
9.53 x 6.33 (3/8" x 1/4")	1.6 (1/16')	± 0.12	± 0.10
12.7 x 9.5 (1/2" x 3/8")			
19 x 15.8 (3/4" x 5/8")			
25.4 x 22.2 (1" x 7/8")			
31.8 x 28.0 (1-1/4" x 1-1/10")	1.9	± 0.25	± 0.15
38.1 x 33.7 (1-1/2" x 1-21/64")	2.2		

• **Tube material**

PFA , PTFE

Assembling

Sleeve insertion procedure

- Before inserting the sleeve into the tube using insertion tools, pass the union nut through the tube while taking care of the orientation of the union nut.
- A gap could remain between the tube and the tube stop of the sleeve when the sleeve is inserted into the tube.
- In such a case, insert the sleeve into the tube until the gap is smaller than a half of the straight section on the sleeve.
- Insert the tube into which the sleeve has been inserted, into the main unit and then tighten it until the boss on the union nut makes contact with the gauge ring and pulls the blade.
- Crunching sound should be heard, the use of the dedicated spanner allows you to more efficiently tighten the union nut.

* Small size fittings (Size W1, 3mm, 4mm)

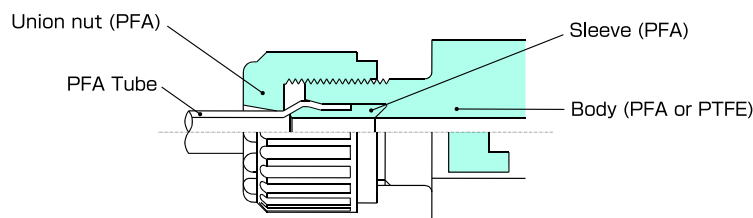
Since the small size fitting doesn't equip the gauge ring, they require gap gauges which are available from the manufacturer.

* Initial tightening

Insert the tube with the inserted sleeve into the body of the fitting and then always tighten the union nut until the gap between the union nut and body becomes smaller than upper limit (Width of the gray part of gap gauge).

Please refer to the instruction manual No.203 for installation procedure in detail.

• **Small sized models (1/8", 3mm, 4mm)**



*Specifications and dimensions are subject to change without prior notice.

*The date on this catalogue are solely for your reference and are not to be construed as constituting a warranty.

CAUTION

• Follow the instructions, before installation and operation, for your safety

Pillar Net Work



NIPPON PILLAR CORPORATION OF AMERICA

★ 1562 Parkway Loop, suite2C, Tustin, CA 92780, USA
 Tel : 714-258-7741 Fax : 714-258-7760
 E-mail : sales@nipponpillar.com

■ **Nippon Pillar Packing Co.,Ltd (Overseas Division)**
 11-48, Nonakaminami 2-Choume, Yodogawa-ku, Osaka, 532-0022 Japan
 Tel : 011-816-6305-2821 Fax : 011-816-6302-3300
 E-mail : info@pillar.co.jp

● **Nippon Pillar Singapore Pte.,Ltd**
 Blk 71 Ayer Rajah Crescent, #06-20/23
 Ayer Rajah Industrial Estate, Singapore 139951
 Tel : 65-6861-7138 Fax : 65-6862-9098
 E-mail : npillars@singnet.com.sg

● **Taiwan Pillar Industry Co.,Ltd**
 8F, NO45, Minchuan East Road, Section 1, Taipei, Taiwan, R.O.C.
 Tel : 886-2-2587-1991 Fax : 886-2-2585-3131
 E-mail : sales@taiwanpillar.com.tw

● **Shanghai Pillar Trading Co.,Ltd**
 Far East International Plaza A-1111, No.319,
 Xianxia Road, Changning District, Shanghai China. (200051)
 Tel : 86-21-6208-7711 Fax : 86-21-6235-0501

● **Pillar Korea Semiconductor Work Shop**
 55-1, Changkoc-1RI, Paltan-Myun, Hwasung-Kun, Kyongki-Do, Korea,
 Tel : 031-353-1521 Fax : 031-353-1522
 E-mail : hanjongeng@hotmail.com

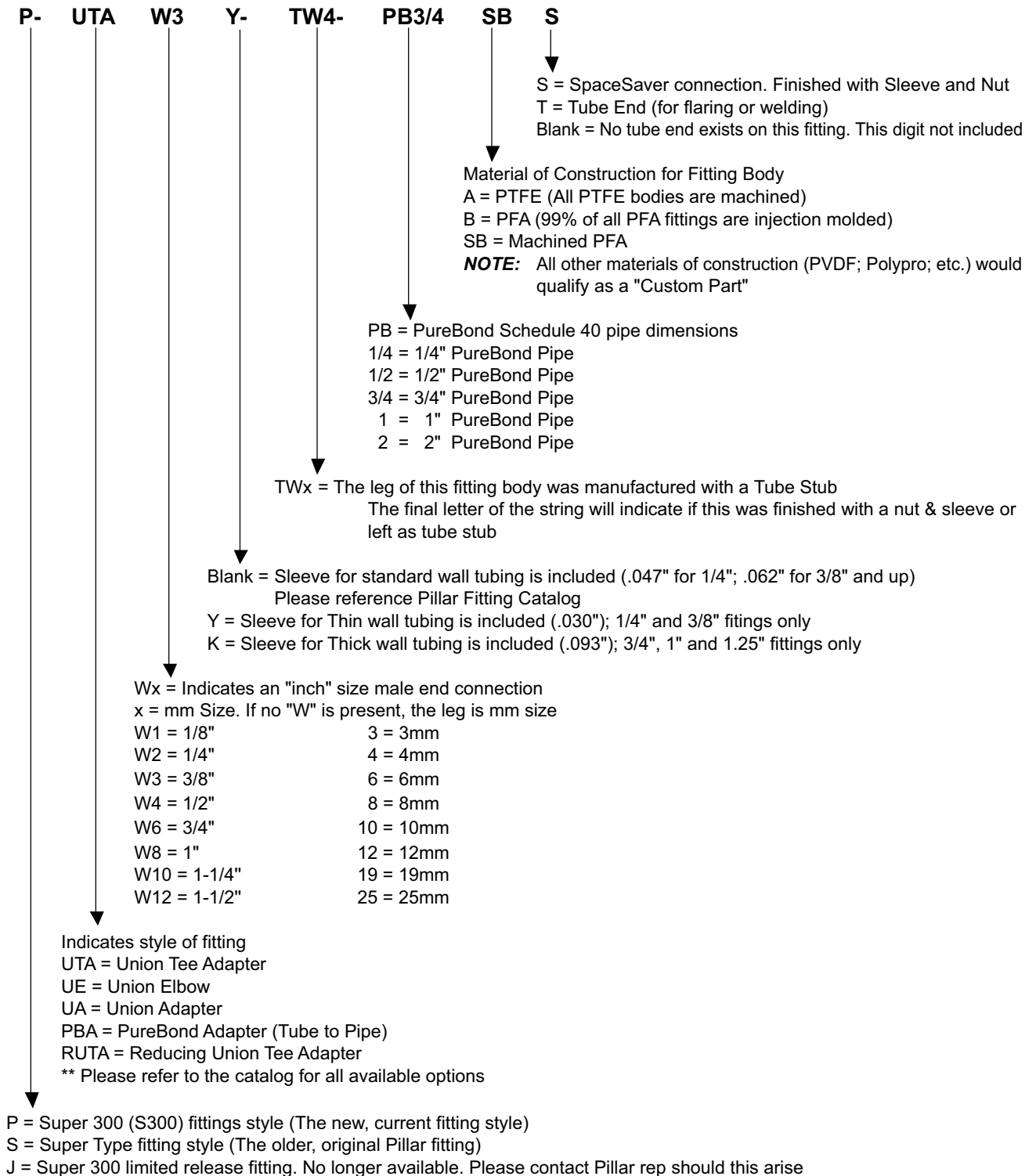
URL

<http://www.nipponpillar.com>

E-mail : sales@nipponpillar.com

How to Order

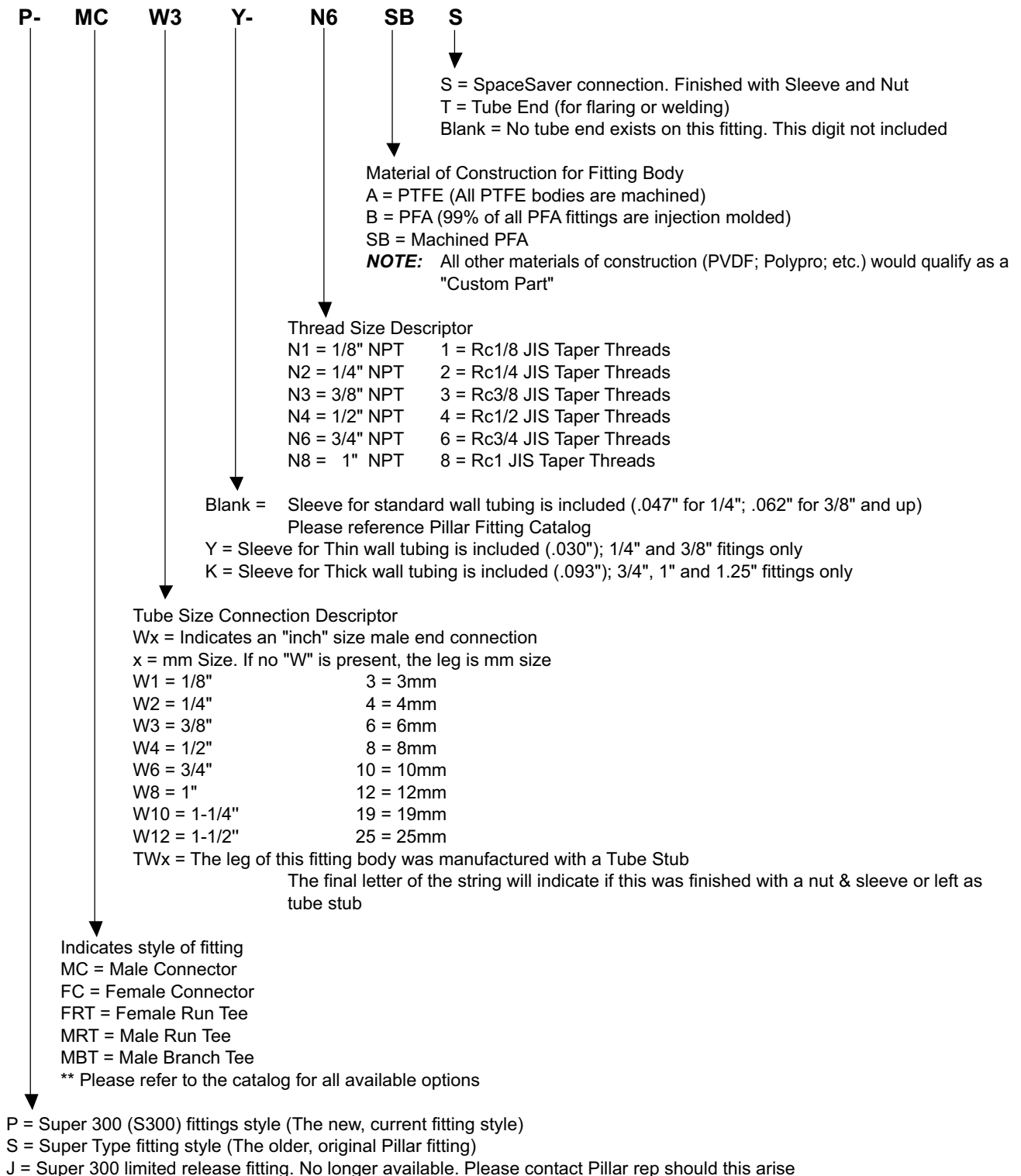
Pillar Part Number Nomenclature - Tube and Pipe End Fittings



NOTE: All **tee fittings** are called out from left to right as viewed on the print:
 Left run, Branch, Right run
 All **Cross tees** are called out from left run to bottom branch in a clockwise pattern:
 Left run, Top branch, Right run, Bottom branch

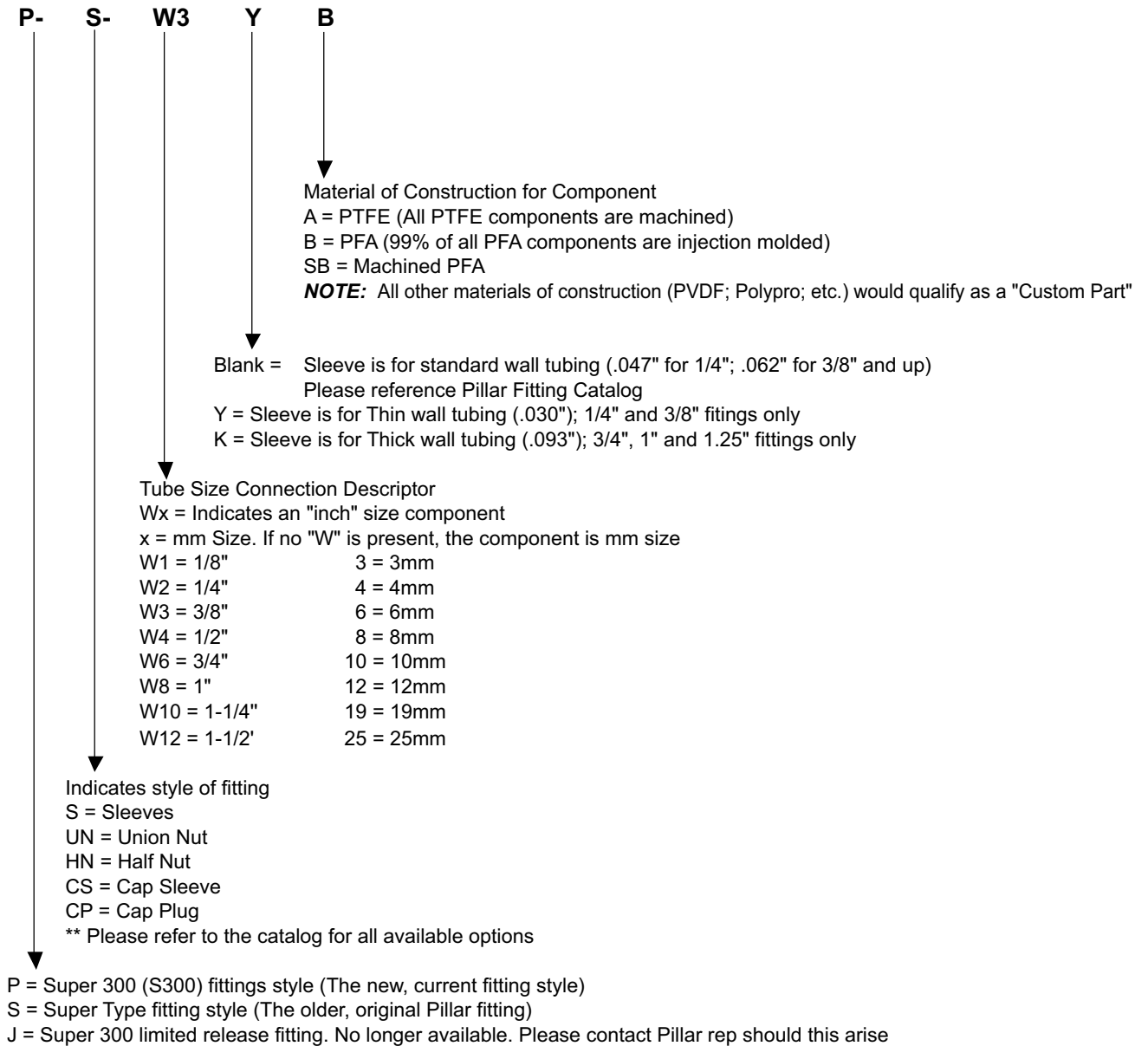
How to Order

Pillar Part Number Nomenclature - Threaded Fittings & Connectors



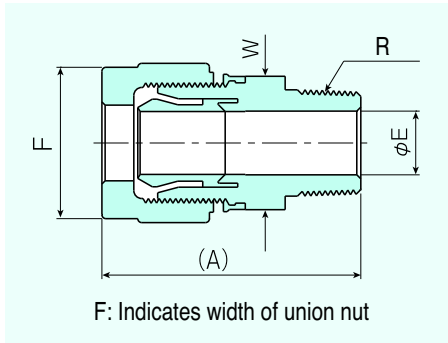
How to Order

Pillar Part Number Nomenclature - Sleeves, Nuts & Misc



P-MC

MALE CONNECTOR



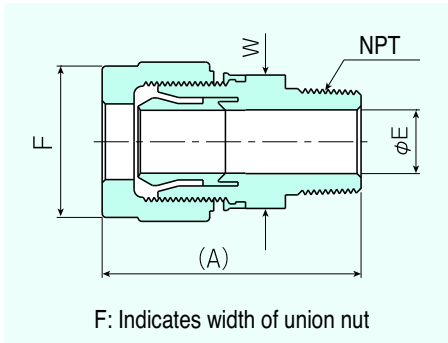
PART No.	Tube Size	Thread Size	(A)	ØE	F	W
metric connection (R)						
Dimension: mm						
* P - MC 3 - 1 B	3 x 2	R 1/8	31	2.1	12	12
* P - MC 3 - 2 B	"	R 1/4	35	"	"	"
* P - MC 3 - 3 A	"	R 3/8	"	"	"	19
* P - MC 3 - 4 A	"	R 1/2	39	"	"	23
* P - MC 4 - 1 B	4 x 3	R 1/8	30.5	3.1	12	12
* P - MC 4 - 2 B	"	R 1/4	34.5	"	"	"
* P - MC 4 - 3 A	"	R 3/8	"	"	"	19
* P - MC 4 - 4 A	"	R 1/2	38.5	"	"	23
P - MC 6 - 1 B	6 x 4	R 1/8	35	4	16	15
P - MC 6 - 2 B	"	R 1/4	39	"	"	"
P - MC 6 - 3 B	"	R 3/8	"	"	"	"
P - MC 6 - 4 A	"	R 1/2	43	"	"	23
P - MC 6 - 6 A	"	R 3/4	48	"	"	28
P - MC 8 - 1 B	8 x 6	R 1/8	38	4	19	18
P - MC 8 - 2 B	"	R 1/4	42	6	"	"
P - MC 8 - 3 B	"	R 3/8	"	"	"	"
P - MC 8 - 4 B	"	R 1/2	46	"	"	"
P - MC 8 - 6 A	"	R 3/4	51	16	"	28
P - MC 10 - 1 B	10 x 8	R 1/8	41	4	23	21
P - MC 10 - 2 B	"	R 1/4	45	6	"	"
P - MC 10 - 3 B	"	R 3/8	"	8	"	"
P - MC 10 - 4 B	"	R 1/2	49	"	"	"
P - MC 10 - 6 A	"	R 3/4	54	"	"	28
P - MC 12 - 1 A	12 x 10	R 1/8	45	4.4	28	25
P - MC 12 - 2 B	"	R 1/4	49	6	"	"
P - MC 12 - 3 B	"	R 3/8	"	10	"	"
P - MC 12 - 4 B	"	R 1/2	53	"	"	"
P - MC 12 - 6 B	"	R 3/4	55	"	"	"
P - MC 12 - 8 A	"	R 1	67	"	"	35
P - MC 19 - 2 A	19 x 15.8	R 1/4	59	6	38	33.5
P - MC 19 - 3 B	"	R 3/8	"	10	"	"
P - MC 19 - 4 B	"	R 1/2	63	12	"	"
P - MC 19 - 6 B	"	R 3/4	65	16	"	"
P - MC 19 - 8 B	"	R 1	68	"	"	"
P - MC 25 - 3 A	25 x 22	R 3/8	71	10	47.5	43
P - MC 25 - 4 A	"	R 1/2	75	12	"	"
P - MC 25 - 6 B	"	R 3/4	77	16	"	"
P - MC 25 - 8 B	"	R 1	80	22	"	"

Inch connection (R)						
Dimension: mm						
* P - MC W1 - 1 B	1/8" x 0.086"	R 1/8	31	2.1	12	12
* P - MC W1 - 2 B	"	R 1/4	35	"	"	"
* P - MC W1 - 3 A	"	R 3/8	"	"	"	19
* P - MC W1 - 4 A	"	R 1/2	39	"	"	23
P - MC W2 - 1 B	1/4" x 5/32"	R 1/8	35	4	16	15
P - MC W2 - 2 B	"	R 1/4	39	"	"	"
P - MC W2 - 3 B	"	R 3/8	"	"	"	"
P - MC W2 - 4 A	"	R 1/2	43	"	"	23
P - MC W2 - 6 A	"	R 3/4	48	"	"	28
P - MC W3 - 1 B	3/8" x 1/4"	R 1/8	41	4	23	21
P - MC W3 - 2 B	"	R 1/4	45	6	"	"
P - MC W3 - 3 B	"	R 3/8	"	8	"	"
P - MC W3 - 4 B	"	R 1/2	49	"	"	"
P - MC W3 - 6 A	"	R 3/4	54	"	"	28
P - MC W4 - 1 A	1/2" x 3/8"	R 1/8	45	4.4	28	25
P - MC W4 - 2 B	"	R 1/4	49	6	"	"
P - MC W4 - 3 B	"	R 3/8	"	10	"	"
P - MC W4 - 4 B	"	R 1/2	53	"	"	"
P - MC W4 - 6 B	"	R 3/4	55	"	"	"
P - MC W4 - 8 A	"	R 1	67	"	"	35
P - MC W6 - 2 A	3/4" x 5/8"	R 1/4	59	6	38	33.5
P - MC W6 - 3 B	"	R 3/8	"	10	"	"
P - MC W6 - 4 B	"	R 1/2	63	12	"	"
P - MC W6 - 6 B	"	R 3/4	65	16	"	"
P - MC W6 - 8 B	"	R 1	68	"	"	"
P - MC W8 - 3 A	1" x 7/8"	R 3/8	71	10	47.5	43
P - MC W8 - 4 A	"	R 1/2	75	12	"	"
P - MC W8 - 6 B	"	R 3/4	77	16	"	"
P - MC W8 - 8 B	"	R 1	80	22	"	"

- Custom designed fittings are available, please consult Pillar representative for custom products.
- All dimensions are for reference purpose only.
- * mark items: Please refer to page 4

P-MC

MALE CONNECTOR



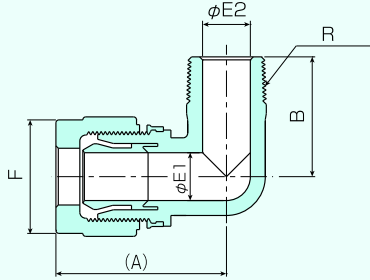
PART No.	Tube Size	Thread Size	(A)	ØE	F	W
metric connection (NPT)						
Dimension: mm						
* P - MC 3 - N1 B	3 x 2	NPT 1/8"	31	2.1	12	12
* P - MC 3 - N2 B	"	NPT 1/4"	35	"	"	"
* P - MC 3 - N3 A	"	NPT 3/8"	"	"	"	19
* P - MC 3 - N4 A	"	NPT 1/2"	39	"	"	23
* P - MC 4 - N1 B	4 x 3	NPT 1/8"	30.5	3.1	12	12
* P - MC 4 - N2 B	"	NPT 1/4"	34.5	"	"	"
* P - MC 4 - N3 A	"	NPT 3/8"	"	"	"	19
* P - MC 4 - N4 A	"	NPT 1/2"	38.5	"	"	23
P - MC 6 - N1 B	6 x 4	NPT 1/8"	35	4	16	15
P - MC 6 - N2 B	"	NPT 1/4"	39	"	"	"
P - MC 6 - N3 B	"	NPT 3/8"	"	"	"	"
P - MC 6 - N4 A	"	NPT 1/2"	43	"	"	23
P - MC 6 - N6 A	"	NPT 3/4"	48	"	"	28
P - MC 8 - N1 B	8 x 6	NPT 1/8"	38	4	19	18
P - MC 8 - N2 B	"	NPT 1/4"	42	6	"	"
P - MC 8 - N3 B	"	NPT 3/8"	"	"	"	"
P - MC 8 - N4 B	"	NPT 1/2"	46	"	"	"
P - MC 8 - N6 A	"	NPT 3/4"	51	16	"	28
P - MC 10 - N1 B	10 x 8	NPT 1/8"	41	4	23	21
P - MC 10 - N2 B	"	NPT 1/4"	45	6	"	"
P - MC 10 - N3 B	"	NPT 3/8"	"	8	"	"
P - MC 10 - N4 B	"	NPT 1/2"	49	"	"	"
P - MC 10 - N6 A	"	NPT 3/4"	54	"	"	28
P - MC 12 - N1 A	12 x 10	NPT 1/8"	45	4.4	28	25
P - MC 12 - N2 B	"	NPT 1/4"	49	6	"	"
P - MC 12 - N3 B	"	NPT 3/8"	"	10	"	"
P - MC 12 - N4 B	"	NPT 1/2"	53	"	"	"
P - MC 12 - N6 B	"	NPT 3/4"	55	"	"	"
P - MC 12 - N8 A	"	NPT 1"	67	"	"	35
P - MC 19 - N2 A	19 x 15.8	NPT 1/4"	59	6	38	33.5
P - MC 19 - N3 B	"	NPT 3/8"	"	10	"	"
P - MC 19 - N4 B	"	NPT 1/2"	63	12	"	"
P - MC 19 - N6 B	"	NPT 3/4"	65	16	"	"
P - MC 19 - N8 B	"	NPT 1"	68	"	"	"
P - MC 25 - N3 A	25 x 22	NPT 3/8"	71	10	47.5	43
P - MC 25 - N4 A	"	NPT 1/2"	75	12	"	"
P - MC 25 - N6 B	"	NPT 3/4"	77	16	"	"
P - MC 25 - N8 B	"	NPT 1"	80	22	"	"

Inch connection (NPT)						
Dimension: mm						
* P - MC W1 - N1 B	1/8" x 0.086"	NPT 1/8"	31	2.1	12	12
* P - MC W1 - N2 B	"	NPT 1/4"	35	"	"	"
* P - MC W1 - N3 A	"	NPT 3/8"	"	"	"	19
* P - MC W1 - N4 A	"	NPT 1/2"	39	"	"	23
P - MC W2 - N1 B	1/4" x 5/32"	NPT 1/8"	35	4	16	15
P - MC W2 - N2 B	"	NPT 1/4"	39	"	"	"
P - MC W2 - N3 B	"	NPT 3/8"	"	"	"	"
P - MC W2 - N4 A	"	NPT 1/2"	43	"	"	23
P - MC W2 - N6 A	"	NPT 3/4"	48	"	"	28
P - MC W3 - N1 B	3/8" x 1/4"	NPT 1/8"	41	4	23	21
P - MC W3 - N2 B	"	NPT 1/4"	45	6	"	"
P - MC W3 - N3 B	"	NPT 3/8"	"	8	"	"
P - MC W3 - N4 B	"	NPT 1/2"	49	"	"	"
P - MC W3 - N6 A	"	NPT 3/4"	54	"	"	28
P - MC W4 - N1 A	1/2" x 3/8"	NPT 1/8"	45	4.4	28	25
P - MC W4 - N2 B	"	NPT 1/4"	49	6	"	"
P - MC W4 - N3 B	"	NPT 3/8"	"	10	"	"
P - MC W4 - N4 B	"	NPT 1/2"	53	"	"	"
P - MC W4 - N6 B	"	NPT 3/4"	55	"	"	"
P - MC W4 - N8 A	"	NPT 1"	67	"	"	35
P - MC W6 - N2 A	3/4" x 5/8"	NPT 1/4"	59	6	38	33.5
P - MC W6 - N3 B	"	NPT 3/8"	"	10	"	"
P - MC W6 - N4 B	"	NPT 1/2"	63	12	"	"
P - MC W6 - N6 B	"	NPT 3/4"	65	16	"	"
P - MC W6 - N8 B	"	NPT 1"	68	"	"	"
P - MC W8 - N3 A	1" x 7/8"	NPT 3/8"	71	10	47.5	43
P - MC W8 - N4 A	"	NPT 1/2"	75	12	"	"
P - MC W8 - N6 B	"	NPT 3/4"	77	16	"	"
P - MC W8 - N8 B	"	NPT 1"	80	22	"	"

- Custom designed fittings are available, please consult Pillar representative for custom products.
- All dimensions are for reference purpose only.
- * mark items: Please refer to page 4

P-ME

MALE ELBOW



F: Indicates width of union nut

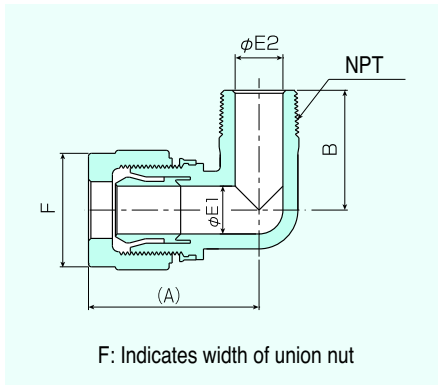
PART No.	Tube Size	Thread Size	(A)	B	ØE1	ØE2	F	W
metric connection (R)								
Dimension: mm								
* P - ME 3 - 1 B	3 x 2	R 1/8	23	18.5	2.1	2.1	12	8
* P - ME 3 - 2 B	"	R 1/4	"	22.5	"	"	"	"
* P - ME 3 - 3 A	"	R 3/8	25	19.5	"	10	"	20
* P - ME 3 - 4 A	"	R 1/2	26.5	22	"	12	"	23
* P - ME 4 - 1 B	4 x 3	R 1/8	22.5	18.5	3.1	3.1	12	8
* P - ME 4 - 2 B	"	R 1/4	"	22.5	"	"	"	"
* P - ME 4 - 3 A	"	R 3/8	24.5	18	"	10	"	20
* P - ME 4 - 4 A	"	R 1/2	26	22	"	12	"	23
P - ME 6 - 1 B	6 x 4	R 1/8	30	21	4	4	16	10
P - ME 6 - 2 B	"	R 1/4	"	25	"	"	"	"
P - ME 6 - 3 B	"	R 3/8	31.5	26.5	"	"	"	13
P - ME 6 - 4 A	"	R 1/2	30.5	"	"	12	"	23
P - ME 6 - 6 A	"	R 3/4	33	"	"	16	"	28
P - ME 8 - 1 B	8 x 6	R 1/8	34.5	22.5	6	4	19	13
P - ME 8 - 2 B	"	R 1/4	"	26.5	"	6	"	"
P - ME 8 - 3 B	"	R 3/8	"	"	"	"	"	"
P - ME 8 - 4 B	"	R 1/2	36	32	"	"	"	15
P - ME 8 - 6 A	"	R 3/4	"	28	"	16	"	28
P - ME 10 - 1 B	10 x 8	R 1/8	39.5	24	8	4	23	15
P - ME 10 - 2 B	"	R 1/4	"	28	"	6	"	"
P - ME 10 - 3 B	"	R 3/8	"	"	"	8	"	"
P - ME 10 - 4 B	"	R 1/2	"	32	"	"	"	"
P - ME 10 - 6 A	"	R 3/4	39	29.5	"	16	"	28
P - ME 12 - 1 A	12 x 10	R 1/8	35.5	22.5	10	4.4	28	25
P - ME 12 - 2 B	"	R 1/4	45.5	30	"	6	"	18
P - ME 12 - 3 B	"	R 3/8	"	"	"	10	"	"
P - ME 12 - 4 B	"	R 1/2	"	34	"	"	"	"
P - ME 12 - 6 B	"	R 3/4	"	36	"	"	"	"
P - ME 12 - 8 A	"	R 1	46.5	35.5	"	22.2	"	35
P - ME 19 - 2 A	19 x 15.8	R 1/4	44.5	32.4	16	6	38	33.5
P - ME 19 - 3 B	"	R 3/8	57	34	"	10	"	27
P - ME 19 - 4 B	"	R 1/2	"	38	"	12	"	"
P - ME 19 - 6 B	"	R 3/4	"	40	"	16	"	"
P - ME 19 - 8 A	"	R 1	53.5	39.8	"	"	"	35
P - ME 25 - 3 A	25 x 22	R 3/8	53	34.5	22	10	47.5	43
P - ME 25 - 4 A	"	R 1/2	54.5	40	"	12	"	"
P - ME 25 - 6 B	"	R 3/4	69.5	45	"	16	"	34
P - ME 25 - 8 B	"	R 1	"	49	"	22	"	"

Inch connection (R)								
Dimension: mm								
* P - ME W1 - 1 B	1/8" x 0.086"	R 1/8	23	18.5	2.1	2.1	12	8
* P - ME W1 - 2 B	"	R 1/4	"	22.5	"	"	"	"
* P - ME W1 - 3 A	"	R 3/8	25	19.5	"	10	"	20
* P - ME W1 - 4 A	"	R 1/2	26.5	22	"	12	"	23
P - ME W2 - 1 B	1/4" x 5/32"	R 1/8	30	21	4	4	16	10
P - ME W2 - 2 B	"	R 1/4	"	25	"	"	"	"
P - ME W2 - 3 B	"	R 3/8	31.5	26.5	"	"	"	13
P - ME W2 - 4 A	"	R 1/2	30.5	"	"	12	"	23
P - ME W2 - 6 A	"	R 3/4	33	"	"	4	"	28
P - ME W3 - 1 B	3/8" x 1/4"	R 1/8	39.5	24	8	4	23	15
P - ME W3 - 2 B	"	R 1/4	"	28	"	6	"	"
P - ME W3 - 3 B	"	R 3/8	"	"	"	8	"	"
P - ME W3 - 4 B	"	R 1/2	"	32	"	"	"	"
P - ME W3 - 6 A	"	R 3/4	39	29.5	"	16	"	28
P - ME W4 - 1 A	1/2" x 3/8"	R 1/8	35.5	22.5	10	4.4	28	25
P - ME W4 - 2 B	"	R 1/4	45.5	30	"	6	"	18
P - ME W4 - 3 B	"	R 3/8	"	"	"	10	"	"
P - ME W4 - 4 B	"	R 1/2	"	34	"	"	"	"
P - ME W4 - 6 B	"	R 3/4	"	36	"	"	"	"
P - ME W4 - 8 A	"	R 1	46.5	35.5	"	22.2	"	35
P - ME W6 - 2 A	3/4" x 5/8"	R 1/4	44.5	32.4	16	6	38	33.5
P - ME W6 - 3 B	"	R 3/8	57	34	"	10	"	27
P - ME W6 - 4 B	"	R 1/2	"	38	"	12	"	"
P - ME W6 - 6 B	"	R 3/4	"	40	"	16	"	"
P - ME W6 - 8 A	"	R 1	53.5	39.8	"	"	"	35
P - ME W8 - 3 A	1" x 7/8"	R 3/8	53	34.5	"	10	"	43
P - ME W8 - 4 A	"	R 1/2	54.5	40	"	12	"	"
P - ME W8 - 6 B	"	R 3/4	70	45	"	16	"	34
P - ME W8 - 8 B	"	R 1	"	49	"	22	"	"

- Custom designed fittings are available, please consult Pillar representative for custom products.
- All dimensions are for reference purpose only.
- "W" indicates bilateral dimension.
- * mark items: Please refer to page 4

P-ME

MALE ELBOW

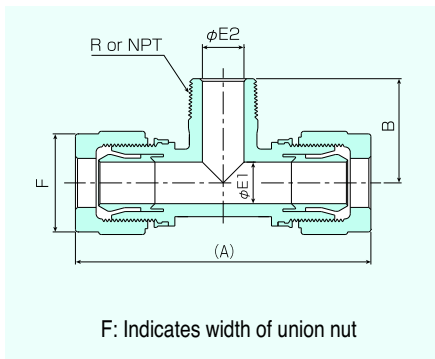


PART No.	Tube Size	Thread Size	(A)	B	ØE1	ØE2	F	W	
metric connection (NPT)									Dimension: mm
* P - ME 3 - N1 B	3 x 2	NPT 1/8"	23	18.5	2.1	2.1	12	8	
* P - ME 3 - N2 B	"	NPT 1/4"	"	22.5	"	"	"	"	
* P - ME 3 - N3 A	"	NPT 3/8"	25	19.5	"	10	"	20	
* P - ME 3 - N4 A	"	NPT 1/2"	26.5	22	"	12	"	23	
* P - ME 4 - N1 B	4 x 3	NPT 1/8"	22.5	18.5	3.1	3.1	12	8	
* P - ME 4 - N2 B	"	NPT 1/4"	"	22.5	"	"	"	"	
* P - ME 4 - N3 A	"	NPT 3/8"	24.5	18.5	"	10	"	19.5	
* P - ME 4 - N4 A	"	NPT 1/2"	26	22	"	12	"	23	
P - ME 6 - N1 B	6 x 4	NPT 1/8"	30	21	4	4	16	10	
P - ME 6 - N2 B	"	NPT 1/4"	"	25	"	"	"	"	
P - ME 6 - N3 B	"	NPT 3/8"	31.5	26.5	"	"	"	13	
P - ME 6 - N4 A	"	NPT 1/2"	30.5	24.5	"	12	"	23	
P - ME 6 - N6 A	"	NPT 3/4"	33	26.5	"	16	"	28	
P - ME 8 - N1 B	8 x 6	NPT 1/8"	34.5	22.5	6	4	19	13	
P - ME 8 - N2 B	"	NPT 1/4"	"	26.5	"	6	"	"	
P - ME 8 - N3 B	"	NPT 3/8"	"	"	"	"	"	"	
P - ME 8 - N4 B	"	NPT 1/2"	36	32	"	"	"	15	
P - ME 8 - N6 A	"	NPT 3/4"	"	28	"	"	"	28	
P - ME 10 - N1 B	10 x 8	NPT 1/8"	39.5	24	8	4	23	15	
P - ME 10 - N2 B	"	NPT 1/4"	"	28	"	6	"	"	
P - ME 10 - N3 B	"	NPT 3/8"	"	"	"	8	"	"	
P - ME 10 - N4 B	"	NPT 1/2"	"	32	"	"	"	"	
P - ME 10 - N6 A	"	NPT 3/4"	39	29.5	"	16	"	28	
P - ME 12 - N1 A	12 x 10	NPT 1/8"	35.5	23.9	10	4.4	28	25	
P - ME 12 - N2 B	"	NPT 1/4"	45.5	30	"	6	"	18	
P - ME 12 - N3 B	"	NPT 3/8"	"	"	"	10	"	"	
P - ME 12 - N4 B	"	NPT 1/2"	"	34	"	"	"	"	
P - ME 12 - N6 B	"	NPT 3/4"	"	36	"	"	"	"	
P - ME 12 - N8 A	"	NPT 1"	46.5	35.5	"	22.2	"	35	
P - ME 19 - N2 A	19 x 15.8	NPT 1/4"	44.5	32.4	16	6	38	33.5	
P - ME 19 - N3 B	"	NPT 3/8"	57	34	"	10	"	27	
P - ME 19 - N4 B	"	NPT 1/2"	"	38	"	12	"	"	
P - ME 19 - N6 B	"	NPT 3/4"	"	40	"	16	"	"	
P - ME 19 - N8 A	"	NPT 1"	53.5	39.8	"	"	"	35	
P - ME 25 - N3 A	25 x 22	NPT 3/8"	53	34.5	22	10	47.5	43	
P - ME 25 - N4 A	"	NPT 1/2"	54.5	41	"	12	"	"	
P - ME 25 - N6 B	"	NPT 3/4"	70	45	"	16	"	34	
P - ME 25 - N8 B	"	NPT 1"	"	49	"	22	"	"	
Inch connection (NPT)									Dimension: mm
* P - ME W1 - N1 B	1/8" x 0.086"	NPT 1/8"	23	18.5	2.1	2.1	12	8	
* P - ME W1 - N2 B	"	NPT 1/4"	"	22.5	"	"	"	"	
* P - ME W1 - N3 A	"	NPT 3/8"	25	19.5	"	10	"	20	
* P - ME W1 - N4 A	"	NPT 1/2"	26.5	22	"	12	"	23	
P - ME W2 - N1 B	1/4" x 5/32"	NPT 1/8"	30	21	4	4	16	10	
P - ME W2 - N2 B	"	NPT 1/4"	"	25	"	"	"	"	
P - ME W2 - N3 B	"	NPT 3/8"	31.5	26.5	"	"	"	13	
P - ME W2 - N4 A	"	NPT 1/2"	30.5	24.5	"	12	"	23	
P - ME W2 - N6 A	"	NPT 3/4"	33	26.5	"	16	"	28	
P - ME W3 - N1 B	3/8" x 1/4"	NPT 1/8"	39.5	24	8	4	23	15	
P - ME W3 - N2 B	"	NPT 1/4"	"	28	"	6	"	"	
P - ME W3 - N3 B	"	NPT 3/8"	"	"	"	8	"	"	
P - ME W3 - N4 B	"	NPT 1/2"	"	32	"	"	"	"	
P - ME W3 - N6 A	"	NPT 3/4"	39	29.5	"	16	"	28	
P - ME W4 - N1 A	1/2" x 3/8"	NPT 1/8"	35.5	23.9	10	4.4	28	25	
P - ME W4 - N2 B	"	NPT 1/4"	45.5	30	"	6	"	18	
P - ME W4 - N3 B	"	NPT 3/8"	"	"	"	10	"	"	
P - ME W4 - N4 B	"	NPT 1/2"	"	34	"	"	"	"	
P - ME W4 - N6 B	"	NPT 3/4"	"	36	"	"	"	"	
P - ME W4 - N8 A	"	NPT 1"	46.5	35.5	"	22	"	35	
P - ME W6 - N2 A	3/4" x 5/8"	NPT 1/4"	44.5	32.4	16	6	38	33.5	
P - ME W6 - N3 B	"	NPT 3/8"	57	34	"	10	"	27	
P - ME W6 - N4 B	"	NPT 1/2"	"	38	"	12	"	"	
P - ME W6 - N6 B	"	NPT 3/4"	"	40	"	16	"	"	
P - ME W6 - N8 A	"	NPT 1"	53.5	39.8	"	"	"	35	
P - ME W8 - N2 A	1" x 7/8"	NPT 1/4"	51.5	37.7	22	6	47.5	43	
P - ME W8 - N3 A	"	NPT 3/8"	53	34.5	"	10	"	"	
P - ME W8 - N4 A	"	NPT 1/2"	54.5	41	"	12	"	"	
P - ME W8 - N6 B	"	NPT 3/4"	69.5	45	"	16	"	34	
P - ME W8 - N8 B	"	NPT 1"	"	49	"	22	"	"	

- Custom designed fittings are available, please consult Pillar representative for custom products.
- All dimensions are for reference purpose only.
- "W" indicates bilateral dimension.
- * mark items: Please refer to page 4

P-MBT

MALE BRANCH TEE



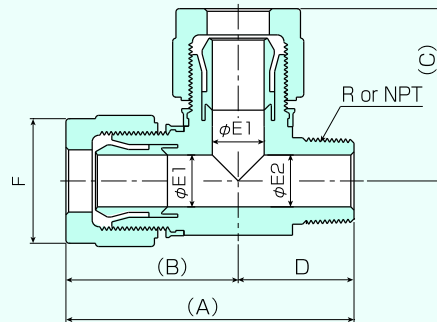
PART No.	Tube Size	Thread Size	(A)	B	ØE1	ØE2	F	W
metric connection (R)								
Dimension: mm								
* P - MBT 3 - 1 B	3 x 2	R 1/8	45.5	18.5	2.1	2.1	12	8
* P - MBT 3 - 2 B	"	R 1/4	"	22.5	"	"	"	"
* P - MBT 4 - 1 B	4 x 3	R 1/8	45.5	18.5	3.1	3.1	12	8
* P - MBT 4 - 2 B	"	R 1/4	"	22.5	"	"	"	"
P - MBT 6 - 1 B	6 x 4	R 1/8	60	21	4	4	16	10
P - MBT 6 - 2 B	"	R 1/4	"	25	"	"	"	"
P - MBT 6 - 3 B	"	R 3/8	63	26.5	"	"	"	13
P - MBT 8 - 1 B	8 x 6	R 1/8	69	22.5	6	4	19	13
P - MBT 8 - 2 B	"	R 1/4	"	26.5	"	6	"	"
P - MBT 8 - 3 B	"	R 3/8	"	"	"	"	"	"
P - MBT 8 - 4 B	"	R 1/2	72	32	"	"	"	15
P - MBT 10 - 1 B	10 x 8	R 1/8	79	24	8	4	23	15
P - MBT 10 - 2 B	"	R 1/4	"	28	"	6	"	"
P - MBT 10 - 3 B	"	R 3/8	"	"	"	8	"	"
P - MBT 10 - 4 B	"	R 1/2	"	32	"	"	"	"
P - MBT 12 - 2 B	12 x 10	R 1/4	91	30	10	6	28	18
P - MBT 12 - 3 B	"	R 3/8	"	"	"	10	"	"
P - MBT 12 - 4 B	"	R 1/2	"	34	"	"	"	"
P - MBT 12 - 6 B	"	R 3/4	"	36	"	"	"	"
P - MBT 19 - 2 A	19 x 15.8	R 1/4	89	32.8	16	6	38	33.5
P - MBT 19 - 3 B	"	R 3/8	114	34	"	10	"	27
P - MBT 19 - 4 B	"	R 1/2	"	38	"	12	"	"
P - MBT 19 - 6 B	"	R 3/4	"	40	"	16	"	"
P - MBT 25 - 4 A	25 x 22	R 1/2	109	41.5	22	12	47.5	43
P - MBT 25 - 6 B	"	R 3/4	139	45	"	16	"	34
P - MBT 25 - 8 B	"	R 1	"	49	"	22	"	"

Inch connection (NPT)								
Dimension: mm								
* P - MBT W1 - N1 B	1/8" x 0.086"	NPT 1/8"	45.5	18.5	2.1	2.1	12	8
* P - MBT W1 - N2 B	"	NPT 1/4"	"	22.5	"	"	"	"
P - MBT W2 - N1 B	1/4" x 5/32"	NPT 1/8"	60	21	4	4	16	10
P - MBT W2 - N2 B	"	NPT 1/4"	"	25	"	"	"	"
P - MBT W2 - N3 B	"	NPT 3/8"	63	26.5	"	"	"	13
P - MBT W3 - N1 B	3/8" x 1/4"	NPT 1/8"	79	24	8	4	23	15
P - MBT W3 - N2 B	"	NPT 1/4"	"	28	"	6	"	"
P - MBT W3 - N3 B	"	NPT 3/8"	"	"	"	8	"	"
P - MBT W3 - N4 B	"	NPT 1/2"	"	32	"	"	"	"
P - MBT W4 - N2 B	1/2" x 3/8"	NPT 1/4"	91	30	10	6	28	18
P - MBT W4 - N3 B	"	NPT 3/8"	"	"	"	10	"	"
P - MBT W4 - N4 B	"	NPT 1/2"	"	34	"	"	"	"
P - MBT W4 - N6 B	"	NPT 3/4"	"	36	"	"	"	"
P - MBT W6 - N2 A	3/4" x 5/8"	NPT 1/4"	89	32.8	16	6	38	33.5
P - MBT W6 - N3 B	"	NPT 3/8"	114	34	"	10	"	27
P - MBT W6 - N4 B	"	NPT 1/2"	"	38	"	12	"	"
P - MBT W6 - N6 B	"	NPT 3/4"	"	40	"	16	"	"
P - MBT W8 - N4 A	1" x 7/8"	NPT 1/2"	109	41.5	22	12	47.5	43
P - MBT W8 - N6 B	"	NPT 3/4"	139	45	"	16	"	34
P - MBT W8 - N8 B	"	NPT 1"	"	49	"	22	"	"

- Custom designed fittings are available, please consult Pillar representative for custom products.
- All dimensions are for reference purpose only.
- "W" indicates bilateral dimension.
- * mark items: Please refer to page 4

P-MRT

MALE RUN TEE



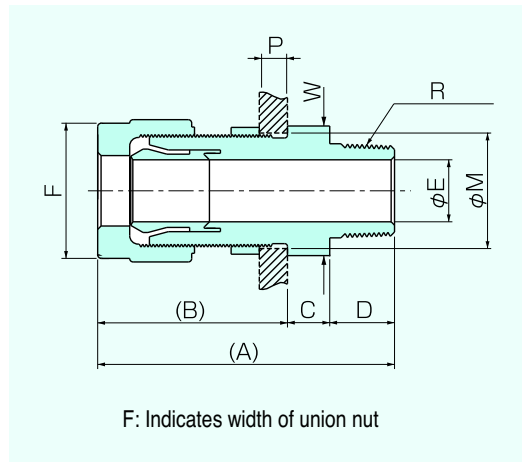
F: Indicates width of union nut

PART No.	Tube Size	Thread Size	(A)	(B)	(C)	D	øE1	øE2	F	W
metric connection (R)										
Dimension: mm										
* P - MRT 3 - 1 A	3 x 2	R 1/8	35	20.5	20.5	14.5	2.1	4.4	12	11
* P - MRT 3 - 2 A	"	R 1/4	42	22	22	20	"	6	"	14
* P - MRT 4 - 1 A	4 x 3	R 1/8	34.5	20	20	14.5	3.1	4.4	12	11
* P - MRT 4 - 2 A	"	R 1/4	41.5	21.5	21.5	20	"	6	"	14
P - MRT 6 - 1 A	6 x 4	R 1/8	44	26.5	26.5	17.5	4	4	16	15
P - MRT 6 - 2 A	"	R 1/4	47.5	"	27.5	21	"	6	"	17
P - MRT 6 - 3 A	"	R 3/8	"	"	29	"	"	10	"	19.5
P - MRT 8 - 1 A	8 x 6	R 1/8	50.5	31.5	31.5	19	6	4	19	19
P - MRT 8 - 2 A	"	R 1/4	54	"	"	22.5	"	6	"	"
P - MRT 8 - 3 A	"	R 3/8	"	"	32	"	"	10	"	19.5
P - MRT 8 - 4 A	"	R 1/2	58	"	33.5	26.5	"	12	"	23
P - MRT 10 - 1 A	10 x 8	R 1/8	57	36	36	21	8	4	23	22
P - MRT 10 - 2 A	"	R 1/4	61	"	"	25	"	6	"	"
P - MRT 10 - 3 A	"	R 3/8	"	"	"	"	"	10	"	"
P - MRT 10 - 4 A	"	R 1/2	64	"	36.5	28	"	12	"	23
P - MRT 12 - 2 A	12 x 10	R 1/4	69	41.5	41.5	27.5	10	6	28	25
P - MRT 12 - 3 A	"	R 3/8	"	"	"	"	"	10	"	"
P - MRT 12 - 4 A	"	R 1/2	72.5	"	"	31	"	12	"	"
P - MRT 12 - 6 A	"	R 3/4	73.5	"	43	32	"	16	"	28
P - MRT 19 - 2 A	19 x 15.8	R 1/4	82.5	53	53	29.8	16	6	38	33.5
P - MRT 19 - 3 A	"	R 3/8	84	"	"	31.3	"	10	"	"
P - MRT 19 - 4 A	"	R 1/2	87.5	"	"	34.8	"	12	"	"
P - MRT 19 - 6 A	"	R 3/4	88.5	"	"	35.8	"	16	"	"
P - MRT 25 - 6 A	25 x 22	R 3/4	105.5	64.5	64.5	41	22	16	47.5	43
P - MRT 25 - 8 A	"	R 1	109	"	"	44.5	"	22	"	"
Inch connection (NPT)										
Dimension: mm										
* P - MRT W1 - N1 A	1/8" x 0.086"	NPT 1/8"	35	20.5	20.5	14.5	2.1	4.4	12	11
* P - MRT W1 - N2 A	"	NPT 1/4"	42	22	22	20	"	6	"	14
P - MRT W2 - N1 A	1/4" x 5/32"	NPT 1/8"	44	26.5	26.5	17.5	4	4	16	15
P - MRT W2 - N2 A	"	NPT 1/4"	47.5	"	27.5	21	"	6	"	17
P - MRT W2 - N3 A	"	NPT 3/8"	"	"	29	"	"	10	"	19.5
P - MRT W3 - N1 A	3/8" x 1/4"	NPT 1/8"	57	36	36	21	8	4	23	22
P - MRT W3 - N2 A	"	NPT 1/4"	61	"	"	25	"	6	"	"
P - MRT W3 - N3 A	"	NPT 3/8"	"	"	"	"	"	10	"	"
P - MRT W3 - N4 A	"	NPT 1/2"	64	"	36.5	28	"	12	"	23
P - MRT W4 - N2 A	1/2" x 3/8"	NPT 1/4"	69	41.5	41.5	27.5	10	6	28	25
P - MRT W4 - N3 A	"	NPT 3/8"	"	"	"	"	"	10	"	"
P - MRT W4 - N4 A	"	NPT 1/2"	72.5	"	"	31	"	12	"	"
P - MRT W4 - N6 A	"	NPT 3/4"	73.5	"	43	32	"	16	"	28
P - MRT W6 - N2 A	3/4" x 5/8"	NPT 1/4"	82.5	53	53	29.8	16	6	38	33.5
P - MRT W6 - N3 A	"	NPT 3/8"	84	"	"	31.3	"	10	"	"
P - MRT W6 - N4 A	"	NPT 1/2"	87.5	"	"	34.8	"	12	"	"
P - MRT W6 - N6 A	"	NPT 3/4"	88.5	"	"	35.8	"	16	"	"
P - MRT W8 - N6 A	1" x 7/8"	NPT 3/4"	105.5	64.5	64.5	41	22	16	47.5	43
P - MRT W8 - N8 A	"	NPT 1"	109	"	"	44.5	"	22	"	"

- Custom designed fittings are available, please consult Pillar representative for custom products.
- All dimensions are for reference purpose only.
- "W" indicates bilateral dimension.
- * mark items: Please refer to page 4

P-PMMC

PANEL MOUNT MALE CONNECTOR

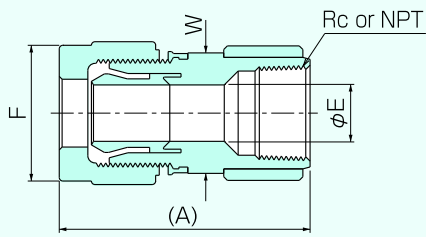


PART No.	Tube Size	Thread Size	(A)	(B)	C	D	∅E	F	MAX P	∅M	W
metric connection (R)										Dimension: mm	
P - PMMC 10 - 3 A	10 x 8	R 3/8	59	39	7	13	8	23	7	18.5	22
P - PMMC 12 - 4 A	12 x 10	R 1/2	69	45	7	17	10	28	7	22.5	27
P - PMMC 19 - 4 A	19 x 15.8	R 1/2	79	52	10	17	12	38	7	31	38
P - PMMC 19 - 6 A	"	R 3/4	81	"	"	19	16	"	"	"	"
P - PMMC 25 - 8 A	25 x 22	R 1	103	65	15	23	22	47.5	10	41	46
Inch connection (R)										Dimension: mm	
P - PMMC W3 - 3 A	3/8" x 1/4"	R 3/8	59	39	7	13	8	23	7	18.5	22
P - PMMC W4 - 4 A	1/2" x 3/8"	R 1/2	69	45	7	17	10	28	7	22.5	27
P - PMMC W6 - 4 A	3/4" x 5/8"	R 1/2	79	52	10	17	12	38	7	31	38
P - PMMC W6 - 6 A	"	R 3/4	81	"	"	19	16	"	"	"	"
P - PMMC W8 - 8 A	1" x 7/8"	R 1	103	65	15	23	22	47.5	10	41	46

- [P-PMMC W6-4A] = [P-PMMC 19-4A]
- [P-PMMC W6-6A] = [P-PMMC 19-6A]
- Custom designed fittings are available, please consult Pillar representative for custom products.
- All dimensions are for reference purpose only.

P-FC

FEMALE CONNECTOR

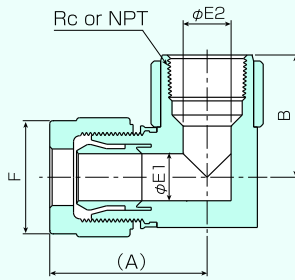


F: Indicates width of union nut

PART No.	Tube Size	Thread Size	(A)	ØE	F	W
metric connection (Rc)						
Dimension: mm						
* P - FC 3 - 1 A	3 x 2	Rc 1/8	36	2.1	12	17
* P - FC 3 - 2 A	"	Rc 1/4	38	"	"	19
* P - FC 4 - 1 A	4 x 3	Rc 1/8	35.5	3.1	12	17
* P - FC 4 - 2 A	"	Rc 1/4	37.5	"	"	19
P - FC 6 - 1 A	6 x 4	Rc 1/8	40	4	16	17
P - FC 6 - 2 A	"	Rc 1/4	42	"	"	19
P - FC 6 - 3 A	"	Rc 3/8	44	"	"	22
P - FC 6 - 4 A	"	Rc 1/2	46	"	"	27
P - FC 8 - 1 A	8 x 6	Rc 1/8	43	6	19	18
P - FC 8 - 2 A	"	Rc 1/4	45	"	"	19
P - FC 8 - 3 A	"	Rc 3/8	47	"	"	22
P - FC 8 - 4 A	"	Rc 1/2	49	"	"	27
P - FC 10 - 1 A	10 x 8	Rc 1/8	46	8	23	21
P - FC 10 - 2 A	"	Rc 1/4	48	"	"	"
P - FC 10 - 3 A	"	Rc 3/8	50	"	"	22
P - FC 10 - 4 A	"	Rc 1/2	52	"	"	27
P - FC 12 - 1 A	12 x 10	Rc 1/8	50	8.2	28	25
P - FC 12 - 2 A	"	Rc 1/4	52	10	"	"
P - FC 12 - 3 A	"	Rc 3/8	54	"	"	"
P - FC 12 - 4 A	"	Rc 1/2	56	"	"	27
P - FC 12 - 6 A	"	Rc 3/4	63	"	"	33.5
P - FC 19 - 2 A	19 x 15.8	Rc 1/4	62	10.9	38	33.5
P - FC 19 - 3 A	"	Rc 3/8	64	14.4	"	"
P - FC 19 - 4 A	"	Rc 1/2	66	16	"	"
P - FC 19 - 6 A	"	Rc 3/4	70	"	"	"
P - FC 25 - 6 A	25 x 22	Rc 3/4	82	22	47.5	43
P - FC 25 - 8 A	"	Rc 1	84	"	"	"

Inch connection (NPT)						
Dimension: mm						
* P - FC W1 - N1 A	1/8" x 0.086"	NPT 1/8"	36	2.1	12	17
* P - FC W1 - N2 A	"	NPT 1/4"	38	"	"	19
P - FC W2 - N1 A	1/4" x 5/32"	NPT 1/8"	40	4	16	17
P - FC W2 - N2 A	"	NPT 1/4"	42	"	"	19
P - FC W2 - N3 A	"	NPT 3/8"	44	"	"	22
P - FC W2 - N4 A	"	NPT 1/2"	46	"	"	27
P - FC W3 - N1 A	3/8" x 1/4"	NPT 1/8"	46	8	23	21
P - FC W3 - N2 A	"	NPT 1/4"	48	"	"	"
P - FC W3 - N3 A	"	NPT 3/8"	50	"	"	22
P - FC W3 - N4 A	"	NPT 1/2"	52	"	"	27
P - FC W4 - N1 A	1/2" x 3/8"	NPT 1/8"	50	8.2	28	25
P - FC W4 - N2 A	"	NPT 1/4"	52	10	"	"
P - FC W4 - N3 A	"	NPT 3/8"	54	"	"	"
P - FC W4 - N4 A	"	NPT 1/2"	56	"	"	27
P - FC W4 - N6 A	"	NPT 3/4"	63	"	"	33.5
P - FC W6 - N2 A	3/4" x 5/8"	NPT 1/4"	62	10.9	38	33.5
P - FC W6 - N3 A	"	NPT 3/8"	64	14.4	"	"
P - FC W6 - N4 A	"	NPT 1/2"	66	16	"	"
P - FC W6 - N6 A	"	NPT 3/4"	70	"	"	"
P - FC W8 - N6 A	1" x 7/8"	NPT 3/4"	82	22	47.5	43
P - FC W8 - N8 A	"	NPT 1"	84	"	"	"

- Custom designed fittings are available, please consult Pillar representative for custom products.
- All dimensions are for reference purpose only.
- * mark items: Please refer to page 4

P-FE**FEMALE ELBOW**

F: Indicates width of union nut

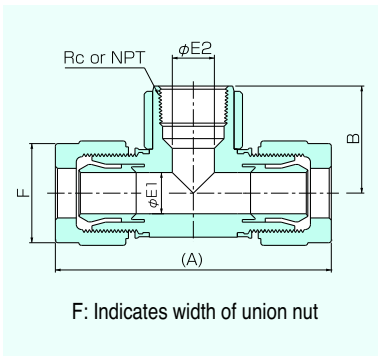
PART No.	Tube Size	Thread Size	(A)	B	ØE1	ØE2	F	W
metric connection (Rc)								
Dimension: mm								
* P - FE 3 - 1 A	3 x 2	Rc 1/8	23.5	22.5	2.1	2.1	12	17
* P - FE 3 - 2 A	"	Rc 1/4	24.5	25.5	"	"	"	19
* P - FE 3 - 3 A	"	Rc 3/8	26	29	"	"	"	22
* P - FE 4 - 1 A	4 x 3	Rc 1/8	23	22.5	3.1	3.1	12	17
* P - FE 4 - 2 A	"	Rc 1/4	24	25.5	"	"	"	19
P - FE 6 - 1 A	6 x 4	Rc 1/8	27.5	21.5	4	4	16	17
P - FE 6 - 2 A	"	Rc 1/4	28.5	23.5	"	"	"	19
P - FE 6 - 3 A	"	Rc 3/8	30	25.5	"	"	"	22
P - FE 8 - 1 A	8 x 6	Rc 1/8	30.5	23	6	6	19	18
P - FE 8 - 2 A	"	Rc 1/4	31.5	25	"	"	"	19
P - FE 8 - 3 A	"	Rc 3/8	33	27	"	"	"	22
P - FE 10 - 1 A	10 x 8	Rc 1/8	33.5	24.5	8	8	23	21
P - FE 10 - 2 A	"	Rc 1/4	34.5	26.5	"	"	"	"
P - FE 10 - 3 A	"	Rc 3/8	36	28.5	"	"	"	22
P - FE 10 - 4 A	"	Rc 1/2	38.5	30.5	"	"	"	27
P - FE 12 - 1 A	12 x 10	Rc 1/8	37.5	26.5	10	8.2	28	25
P - FE 12 - 2 A	"	Rc 1/4	38.5	28.5	"	10	"	"
P - FE 12 - 3 A	"	Rc 3/8	40	30.5	"	"	"	"
P - FE 12 - 4 A	"	Rc 1/2	42.5	32.5	"	"	"	27
P - FE 12 - 6 A	"	Rc 3/4	46	36.5	"	"	"	33.5
P - FE 19 - 3 A	19 x 15.8	Rc 3/8	46.5	34.8	16	14.4	38	33.5
P - FE 19 - 4 A	"	Rc 1/2	49.5	36.8	"	16	"	"
P - FE 19 - 6 A	"	Rc 3/4	53	40.8	"	"	"	"
P - FE 19 - 8 A	"	Rc 1	57.5	42.8	"	"	"	43
P - FE 25 - 6 A	25 x 22	Rc 3/4	60	45.5	22	22	47.5	43
P - FE 25 - 8 A	"	Rc 1	64.5	47.5	"	"	"	"

Inch connection (NPT)								
Dimension: mm								
* P - FE W1 - N1 A	1/8" x 0.086"	NPT 1/8"	23.5	22.5	2.1	2.1	12	17
* P - FE W1 - N2 A	"	NPT 1/4"	24.5	25.5	"	"	"	19
* P - FE W1 - N3 A	"	NPT 3/8"	26	29	"	"	"	22
P - FE W2 - N1 A	1/4" x 5/32"	NPT 1/8"	27.5	21.5	4	4	16	17
P - FE W2 - N2 A	"	NPT 1/4"	28.5	23.5	"	"	"	19
P - FE W2 - N3 A	"	NPT 3/8"	30	25.5	"	"	"	22
P - FE W3 - N1 A	3/8" x 1/4"	NPT 1/8"	33.5	24.5	8	8	23	21
P - FE W3 - N2 A	"	NPT 1/4"	34.5	26.5	"	"	"	"
P - FE W3 - N3 A	"	NPT 3/8"	36	28.5	"	"	"	22
P - FE W3 - N4 A	"	NPT 1/2"	38.5	30.5	"	"	"	27
P - FE W4 - N1 A	1/2" x 3/8"	NPT 1/8"	37.5	26.5	10	8.2	28	25
P - FE W4 - N2 A	"	NPT 1/4"	38.5	28.5	"	10	"	"
P - FE W4 - N3 A	"	NPT 3/8"	40	30.5	"	"	"	"
P - FE W4 - N4 A	"	NPT 1/2"	42.5	32.5	"	"	"	27
P - FE W4 - N6 A	"	NPT 3/4"	46	36.5	"	"	"	33.5
P - FE W6 - N3 A	3/4" x 5/8"	NPT 3/8"	47	34.8	16	14.4	38	33.5
P - FE W6 - N4 A	"	NPT 1/2"	49.5	36.8	"	16	"	"
P - FE W6 - N6 A	"	NPT 3/4"	53	40.8	"	"	"	"
P - FE W6 - N8 A	"	NPT 1"	57.5	42.8	"	"	"	43
P - FE W8 - N6 A	1" x 7/8"	NPT 3/4"	60	45.5	22	22	47.5	43
P - FE W8 - N8 A	"	NPT 1"	64.5	47.5	"	"	"	"

- Custom designed fittings are available, please consult Pillar representative for custom products.
- All dimensions are for reference purpose only.
- "W" indicates bilateral dimension.
- * mark items: Please refer to page 4

P-FBT

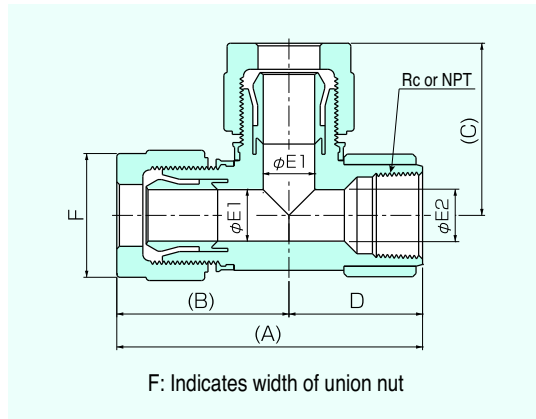
FEMALE BRANCH TEE



PART No.	Tube Size	Thread Size	(A)	B	ØE1	ØE2	F	W
metric connection (Rc) Dimension: mm								
* P - FBT 3 - 1 A	3 x 2	Rc 1/8	46.5	22.5	2.1	6	12	17
* P - FBT 3 - 2 A	"	Rc 1/4	48.5	25.5	"	8	"	19
* P - FBT 4 - 1 A	4 x 3	Rc 1/8	46.5	22.5	3.1	6	12	17
* P - FBT 4 - 2 A	"	Rc 1/4	48.5	25.5	"	8	"	19
P - FBT 6 - 1 A	6 x 4	Rc 1/8	55	21.5	4	4	16	17
P - FBT 6 - 2 A	"	Rc 1/4	57	23.5	"	"	"	19
P - FBT 6 - 3 A	"	Rc 3/8	60	25.5	"	"	"	22
P - FBT 8 - 1 A	8 x 6	Rc 1/8	61	23	6	6	19	18
P - FBT 8 - 2 A	"	Rc 1/4	63	25	"	"	"	19
P - FBT 8 - 3 A	"	Rc 3/8	66	27	"	"	"	22
P - FBT 10 - 1 A	10 x 8	Rc 1/8	67	24.5	8	8	23	21
P - FBT 10 - 2 A	"	Rc 1/4	69	26.5	"	"	"	"
P - FBT 10 - 3 A	"	Rc 3/8	72	28.5	"	"	"	22
P - FBT 10 - 4 A	"	Rc 1/2	77	30.5	"	"	"	27
P - FBT 12 - 2 A	12 x 10	Rc 1/4	77	28.5	10	10	28	25
P - FBT 12 - 3 A	"	Rc 3/8	80	30.5	"	"	"	"
P - FBT 12 - 4 A	"	Rc 1/2	85	32.5	"	"	"	27
P - FBT 12 - 6 A	"	Rc 3/4	91.5	36.5	"	"	"	33.5
P - FBT 19 - 2 A	19 x 15.8	Rc 1/4	91	32.8	16	10.9	38	33.5
P - FBT 19 - 3 A	"	Rc 3/8	94	34.8	"	14.4	"	"
P - FBT 19 - 4 A	"	Rc 1/2	99	36.8	"	16	"	"
P - FBT 19 - 6 A	"	Rc 3/4	105.5	40.8	"	"	"	"
P - FBT 19 - 8 A	"	Rc 1	115	42.8	"	"	"	43
P - FBT 25 - 4 A	25 x 22	Rc 1/2	113	41.5	22	10	47.5	43
P - FBT 25 - 6 A	"	Rc 3/4	119.5	45.5	"	22	"	"
P - FBT 25 - 8 A	"	Rc 1	129	47.5	"	"	"	"

Inch connection (NPT) Dimension: mm								
* P - FBT W1 - N1 A	1/8" x 0.086"	NPT 1/8"	46.5	22.5	2.1	6	12	17
* P - FBT W1 - N2 A	"	NPT 1/4"	48.5	25.5	"	8	"	19
P - FBT W2 - N1 A	1/4" x 5/32"	NPT 1/8"	55	21.5	4	4	16	17
P - FBT W2 - N2 A	"	NPT 1/4"	57	23.5	"	"	"	19
P - FBT W2 - N3 A	"	NPT 3/8"	60	25.5	"	"	"	22
P - FBT W3 - N1 A	3/8" x 1/4"	NPT 1/8"	67	24.5	8	8	23	21
P - FBT W3 - N2 A	"	NPT 1/4"	69	26.5	"	"	"	"
P - FBT W3 - N3 A	"	NPT 3/8"	72	28.5	"	"	"	22
P - FBT W3 - N4 A	"	NPT 1/2"	77	30.5	"	"	"	27
P - FBT W4 - N2 A	1/2" x 3/8"	NPT 1/4"	77	28.5	10	10	28	25
P - FBT W4 - N3 A	"	NPT 3/8"	80	30.5	"	"	"	"
P - FBT W4 - N4 A	"	NPT 1/2"	85	32.5	"	"	"	27
P - FBT W4 - N6 A	"	NPT 3/4"	91.5	36.5	"	"	"	33.5
P - FBT W6 - N2 A	3/4" x 5/8"	NPT 1/4"	91	32.8	16	10.9	38	33.5
P - FBT W6 - N3 A	"	NPT 3/8"	94	34.8	"	14.4	"	"
P - FBT W6 - N4 A	"	NPT 1/2"	99	36.8	"	16	"	"
P - FBT W6 - N6 A	"	NPT 3/4"	105.5	40.8	"	"	"	"
P - FBT W6 - N8 A	"	NPT 1"	115	42.8	"	"	"	43
P - FBT W8 - N4 A	1" x 7/8"	NPT 1/2"	113	41.5	22	10	47.5	43
P - FBT W8 - N6 A	"	NPT 3/4"	119.5	45.5	"	22	"	"
P - FBT W8 - N8 A	"	NPT 1"	129	47.5	"	"	"	"

- Custom designed fittings are available, please consult Pillar representative for custom products.
- All dimensions are for reference purpose only.
- "W" indicates bilateral dimension.
- * mark items: Please refer to page 4

P-FRT**FEMALE RUN TEE**

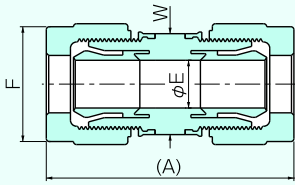
PART No.	Tube Size	Thread Size	(A)	(B)	(C)	D	ØE1	ØE2	F	W
metric connection (Rc)										Dimension: mm
* P - FRT 3 - 1 A	3 x 2	Rc 1/8	46	23.5	23.5	22.5	2.1	6	12	17
* P - FRT 3 - 2 A	"	Rc 1/4	50	24.5	24.5	25.5	"	8	"	19
* P - FRT 4 - 1 A	4 x 3	Rc 1/8	45.5	23	23	22.5	3.1	6	12	17
* P - FRT 4 - 2 A	"	Rc 1/4	49.5	24	24	25.5	"	8	"	19
P - FRT 6 - 1 A	6 x 4	Rc 1/8	48	26.5	27.5	21.5	4	4	16	17
P - FRT 6 - 2 A	"	Rc 1/4	50	"	28.5	23.5	"	"	"	19
P - FRT 6 - 3 A	"	Rc 3/8	52	"	30	25.5	"	"	"	22
P - FRT 8 - 1 A	8 x 6	Rc 1/8	54	31	31	23	6	6	19	18
P - FRT 8 - 2 A	"	Rc 1/4	56	"	31.5	25	"	"	"	19
P - FRT 8 - 3 A	"	Rc 3/8	58	"	33	27	"	"	"	22
P - FRT 10 - 1 A	10 x 8	Rc 1/8	60	35.5	35.5	24.5	8	8	23	21
P - FRT 10 - 2 A	"	Rc 1/4	62	"	"	26.5	"	"	"	"
P - FRT 10 - 3 A	"	Rc 3/8	64	"	36	28.5	"	"	"	22
P - FRT 10 - 4 A	"	Rc 1/2	66	"	38.5	30.5	"	"	"	27
P - FRT 12 - 2 A	12 x 10	Rc 1/4	70	41.5	41.5	28.5	10	10	28	25
P - FRT 12 - 3 A	"	Rc 3/8	72	"	"	30.5	"	"	"	"
P - FRT 12 - 4 A	"	Rc 1/2	74	"	42.5	32.5	"	"	"	27
P - FRT 19 - 3 A	19 x 15.8	Rc 3/8	87.5	53	53	34.8	16	14.4	38	33.5
P - FRT 19 - 4 A	"	Rc 1/2	89.5	"	"	36.8	"	16	"	"
P - FRT 19 - 6 A	"	Rc 3/4	93.5	"	"	40.8	"	"	"	"
P - FRT 25 - 4 A	25 x 22	Rc 1/2	106	64.5	64.5	41.5	22	17.9	47.5	43
P - FRT 25 - 6 A	"	Rc 3/4	110	"	"	45.5	"	22	"	"
P - FRT 25 - 8 A	"	Rc 1	112	"	"	47.5	"	"	"	"

Inch connection (NPT)										Dimension: mm
* P - FRT W1 - N1 A	1/8" x 0.086"	NPT 1/8"	46	23.5	23.5	22.5	2.1	6	12	17
* P - FRT W1 - N2 A	"	NPT 1/4"	50	24.5	24.5	25.5	"	8	"	19
P - FRT W2 - N1 A	1/4" x 5/32"	NPT 1/8"	48	26.5	27.5	21.5	4	4	16	17
P - FRT W2 - N2 A	"	NPT 1/4"	50	"	28.5	23.5	"	"	"	19
P - FRT W2 - N3 A	"	NPT 3/8"	52	"	30	25.5	"	"	"	22
P - FRT W3 - N1 A	3/8" x 1/4"	NPT 1/8"	60	35.5	35.5	24.5	8	8	23	21
P - FRT W3 - N2 A	"	NPT 1/4"	62	"	"	26.5	"	"	"	"
P - FRT W3 - N3 A	"	NPT 3/8"	64	"	36	28.5	"	"	"	22
P - FRT W3 - N4 A	"	NPT 1/2"	66	"	38.5	30.5	"	"	"	27
P - FRT W4 - N2 A	1/2" x 3/8"	NPT 1/4"	70	41.5	41.5	28.5	10	10	28	25
P - FRT W4 - N3 A	"	NPT 3/8"	72	"	"	30.5	"	"	"	"
P - FRT W4 - N4 A	"	NPT 1/2"	74	"	42.5	32.5	"	"	"	27
P - FRT W6 - N3 A	3/4" x 5/8"	NPT 3/8"	87.5	53	53	34.8	16	14.4	38	33.5
P - FRT W6 - N4 A	"	NPT 1/2"	89.5	"	"	36.8	"	16	"	"
P - FRT W6 - N6 A	"	NPT 3/4"	93.5	"	"	40.8	"	"	"	"
P - FRT W8 - N4 A	1" x 7/8"	NPT 1/2"	106	64.5	64.5	41.5	22	17.9	47.5	43
P - FRT W8 - N6 A	"	NPT 3/4"	110	"	"	45.5	"	22	"	"
P - FRT W8 - N8 A	"	NPT 1"	112	"	"	47.5	"	"	"	"

- Custom designed fittings are available, please consult Pillar representative for custom products.
- All dimensions are for reference purpose only.
- "W" indicates bilateral dimension.
- * mark items: Please refer to page 4

P-U

UNION



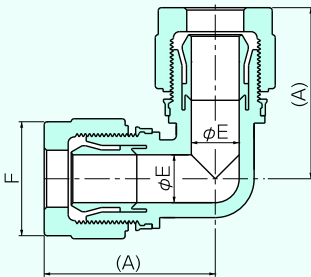
F: Indicates width of union nut

PART No.	Tube Size	(A)	ϕE	F	W
metric connection					
Dimension: mm					
* P - U - 3 B	3 x 2	36.5	2.1	12	12
* P - U - 4 B	4 x 3	36.5	3.1	12	12
P - U - 6 B	6 x 4	45	4	16	15
P - U - 8 B	8 x 6	51	6	19	18
P - U - 10 B	10 x 8	57	8	23	21
P - U - 12 B	12 x 10	65	10	28	25
P - U - 19 B	19 x 15.8	82	16	38	33.5
P - U - 25 B	25 x 22	101	22	47.5	43
Inch connection					
Dimension: mm					
* P - U - W1 B	1/8" x 0.086"	36.5	2.1	12	12
P - U - W2 B	1/4" x 5/32"	45	4	16	15
P - U - W3 B	3/8" x 1/4"	57	8	23	21
P - U - W4 B	1/2" x 3/8"	65	10	28	25
P - U - W6 B	3/4" x 5/8"	82	16	38	33.5
P - U - W8 B	1" x 7/8"	101	22	47.5	43

• [P-U-W6B] = [P-U-19B]

P-UE

UNION ELBOW



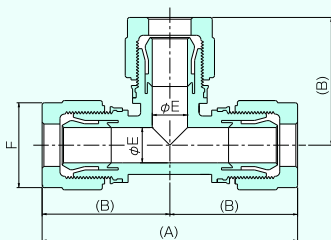
F: Indicates width of union nut

PART No.	Tube Size	(A)	ϕE	F	W
metric connection					
Dimension: mm					
* P - UE - 3 B	3 x 2	23	2.1	12	8
* P - UE - 4 B	4 x 3	22.5	3.1	12	8
P - UE - 6 B	6 x 4	30	4	16	10
P - UE - 8 B	8 x 6	34.5	6	19	13
P - UE - 10 B	10 x 8	39.5	8	23	15
P - UE - 12 B	12 x 10	45.5	10	28	18
P - UE - 19 B	19 x 15.8	57	16	38	27
P - UE - 25 B	25 x 22	69.5	22	47.5	34
Inch connection					
Dimension: mm					
* P - UE - W1 B	1/8" x 0.086"	23	2.1	12	8
P - UE - W2 B	1/4" x 5/32"	30	4	16	10
P - UE - W3 B	3/8" x 1/4"	39.5	8	23	15
P - UE - W4 B	1/2" x 3/8"	45.5	10	28	18
P - UE - W6 B	3/4" x 5/8"	57	16	38	27
P - UE - W8 B	1" x 7/8"	69.5	22	47.5	34

• [P-UE-W6B] = [P-UE-19B]

P-UT

UNION TEE



F: Indicates width of union nut

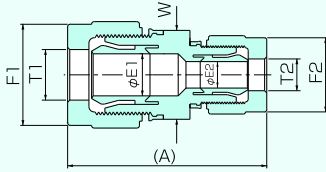
PART No.	Tube Size	(A)	(B)	ϕE	F	W
metric connection						
Dimension: mm						
* P - UT - 3B	3 x 2	45.5	23	2.1	12	8
* P - UT - 4B	4 x 3	45.5	22.5	3.1	12	8
P - UT - 6B	6 x 4	60	30	4	16	10
P - UT - 8B	8 x 6	69	34.5	6	19	13
P - UT - 10B	10 x 8	79	39.5	8	23	15
P - UT - 12B	12 x 10	91	45.5	10	28	18
P - UT - 19B	19 x 15.8	114	57	16	38	27
P - UT - 25B	25 x 22	139	69.5	22	47.5	34
Inch connection						
Dimension: mm						
* P - UT - W1 B	1/8" x 0.086"	45.5	23	2.1	12	8
P - UT - W2 B	1/4" x 5/32"	60	30	4	16	10
P - UT - W3 B	3/8" x 1/4"	79	39.5	8	23	15
P - UT - W4 B	1/2" x 3/8"	91	45.5	10	28	18
P - UT - W6 B	3/4" x 5/8"	114	57	16	38	27
P - UT - W8 B	1" x 7/8"	139	69.5	22	47.5	34

• [P-UT-W6B] = [P-UT-19B]

- Custom designed fittings are available, please consult Pillar representative for custom products.
- All dimensions are for reference purpose only.
- "W" indicates bilateral dimension.
- * mark items: Please refer to page 4

P-RU

REDUCING UNION



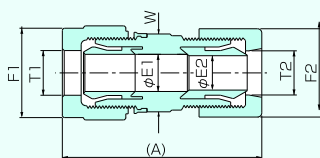
F1, F2: Indicates width of union nut

PART No.	Tube Size T1	Tube Size T2	(A)	ØE1	ØE2	F1	F2	W
Dimension: mm								
metric connection								
* P - RU 4 - 3 B	4 x 3	3 x 2	36.5	3.1	2.1	12	12	12
* P - RU 6 - 3 B	6 x 4	3 x 2	41	4	2.1	16	12	15
* P - RU 6 - 4 B	"	4 x 3	40.5	"	3.1	"	"	"
* P - RU 8 - 3 B	8 x 6	3 x 2	44	6	2.1	19	12	18
P - RU 8 - 6 B	"	6 x 4	48	"	4	"	16	"
* P - RU 10 - 3 A	10 x 8	3 x 2	47	8	2.1	23	12	21
P - RU 10 - 6 B	"	6 x 4	51	"	4	"	16	"
P - RU 10 - 8 B	"	8 x 6	54	"	6	"	19	"
* P - RU 12 - 3 A	12 x 10	3 x 2	51	10	2.1	28	12	25
P - RU 12 - 6 B	"	6 x 4	55	"	4	"	16	"
P - RU 12 - 8 B	"	8 x 6	58	"	6	"	19	"
P - RU 12 - 10 B	"	10 x 8	61	"	8	"	23	"
* P - RU 19 - 3 A	19 x 15.8	3 x 2	61	16	2.1	38	12	33.5
P - RU 19 - 6 A	"	6 x 4	65	"	4	"	16	"
P - RU 19 - 8 A	"	8 x 6	68	"	6	"	19	"
P - RU 19 - 10 B	"	10 x 8	71	"	8	"	23	"
P - RU 19 - 12 B	"	12 x 10	75	"	10	"	28	"
P - RU 25 - 6 A	25 x 22	6 x 4	77	22	4	47.5	16	43
P - RU 25 - 10 A	"	10 x 8	83	"	8	"	23	"
P - RU 25 - 12 A	"	12 x 10	87	"	10	"	28	"
P - RU 25 - 19 B	"	19 x 15.8	94	"	16	"	38	"

PART No.	Tube Size T1	Tube Size T2	(A)	ØE1	ØE2	F1	F2	W
Dimension: mm								
Inch connection								
* P - RU W2 - W1 B	1/4" x 5/32"	1/8" x 0.086"	41	4	2.1	16	12	15
* P - RU W2 - 4 B	"	4 x 3	40.5	"	3.1	"	"	"
* P - RU W3 - W1 A	3/8" x 1/4"	1/8" x 0.086"	47	8	2.1	23	12	21
P - RU W3 - W2 B	"	1/4" x 5/32"	51	"	4	"	16	"
P - RU W3 - 6 B	"	6 x 4	"	"	"	"	"	"
P - RU W3 - 8 B	"	8 x 6	54	"	6	"	19	"
* P - RU W4 - W1 A	1/2" x 3/8"	1/8" x 0.086"	51	10	2.1	28	12	25
P - RU W4 - W2 B	"	1/4" x 5/32"	55	"	4	"	16	"
P - RU W4 - 6 B	"	6 x 4	"	"	"	"	"	"
P - RU W4 - 8 B	"	8 x 6	58	"	6	"	19	"
P - RU W4 - 10 B	"	10 x 8	61	"	8	"	23	"
P - RU W4 - W3 B	"	3/8" x 1/4"	"	"	"	"	"	"
* P - RU W6 - W1 A	3/4" x 5/8"	1/8" x 0.086"	61	16	2.1	38	12	33.5
P - RU W6 - W2 A	"	1/4" x 5/32"	65	"	4	"	16	"
P - RU W6 - 8 A	"	8 x 6	68	"	6	"	19	"
P - RU W6 - 10 B	"	10 x 8	71	"	8	"	23	"
P - RU W6 - 12 B	"	12 x 10	75	"	10	"	28	"
P - RU W6 - W3 B	"	3/8" x 1/4"	71	"	8	"	23	"
P - RU W6 - W4 B	"	1/2" x 3/8"	75	"	10	"	28	"
P - RU W8 - W2 A	1" x 7/8"	1/4" x 5/32"	77	22	4	47.5	16	43
P - RU W8 - W3 A	"	3/8" x 1/4"	83	"	8	"	23	"
P - RU W8 - W4 A	"	1/2" x 3/8"	87	"	10	"	28	"
P - RU W8 - W6 B	"	3/4" x 5/8"	94	"	16	"	38	"

• [P-RU W6-8A] = [P-RU 19-8A] • [P-RU W8-W6B] = [P-RU W8-19B]

SUPER 300 TYPE P Series SUPER TYPE



F1, F2: Indicates width of union nut

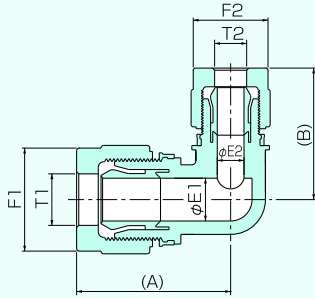
PART No.	Tube Size T1	Tube Size T2	(A)	ØE1	ØE2	F1	F2	W
Dimension: mm								
metric connection								
P - RU 6 - S6 A	6 x 4	6 x 4	45.5	4	4.4	16	16	15
P - RU 10 - S10 A	10 x 8	10 x 8	58.5	8	8	23	22	21
P - RU 12 - S12 A	12 x 10	12 x 10	66	10	10	28	27	25
P - RU 19 - S19 A	19 x 15.8	19 x 15.8	85.5	16	16	38	38	34
P - RU 25 - S25 A	25 x 22	25 x 22	103	22	24.6	47.5	50	44
Dimension: mm								
Inch connection								
P - RU W2 - SW2 A	1/4" x 5/32"	1/4" x 5/32"	45.5	4	4.4	16	16	15
P - RU W3 - SW3 A	3/8" x 1/4"	3/8" x 1/4"	58.5	8	8	23	22	21
P - RU W4 - SW4 A	1/2" x 3/8"	1/2" x 3/8"	66	10	10	28	27	25
P - RU W6 - SW6 A	3/4" x 5/8"	3/4" x 5/8"	85.5	16	16	38	38	34
P - RU W8 - SW8 A	1" x 7/8"	1" x 7/8"	103	22	24.6	47.5	50	44

• [P-RU W6-SW6A] = [P-RU 19-S19A]

- This fitting is for piping of Super Type to Super 300 Type P Series.
- Custom designed fittings are available, please consult Pillar representative for custom products.
- All dimensions are for reference purpose only.
- * mark items: Please refer to page 4

P-RUE

REDUCING UNION ELBOW

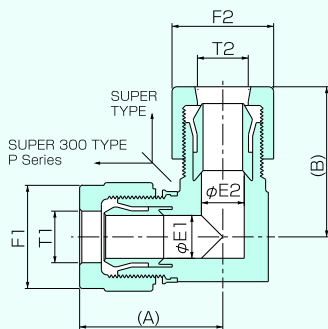


F1, F2: Indicates width of union nut

PART No.	Tube Size T1	Tube Size T2	(A)	(B)	ØE1	ØE2	F1	F2	W
metric connection Dimension: mm									
* P - RUE 4 - 3 B	4 x 3	3 x 2	22.5	23	3.1	2.1	12	12	8
* P - RUE 6 - 3 B	6 x 4	3 x 2	30	26	4	2.1	16	12	10
* P - RUE 6 - 4 B	"	4 x 3	"	25.5	"	3.1	"	"	"
P - RUE 8 - 6 B	8 x 6	6 x 4	34.5	31.5	6	4	19	16	13
P - RUE 10 - 6 B	10 x 8	6 x 4	39.5	33	8	4	23	16	15
P - RUE 10 - 8 B	"	8 x 6	"	36	"	6	"	19	"
* P - RUE 12 - 3 A	12 x 10	3 x 2	34	27.5	10	2.1	28	12	25
P - RUE 12 - 6 B	"	6 x 4	45.5	35	"	4	"	16	18
P - RUE 12 - 8 B	"	8 x 6	"	38	"	6	"	19	"
P - RUE 12 - 10 B	"	10 x 8	"	41.5	"	8	"	23	"
* P - RUE 19 - 4 A	19 x 15.8	4 x 3	41	31.5	16	3.1	38	12	33.5
P - RUE 19 - 6 B	"	6 x 4	57	39	"	4	"	16	27
P - RUE 19 - 8 B	"	8 x 6	"	42	"	6	"	19	"
P - RUE 19 - 10 B	"	10 x 8	"	45.5	"	8	"	23	"
P - RUE 19 - 12 B	"	12 x 10	"	49.5	"	10	"	28	"
P - RUE 25 - 6 B	25 x 22	6 x 4	69.5	44	22	4	47.5	16	34
P - RUE 25 - 8 B	"	8 x 6	"	47	"	6	"	19	"
P - RUE 25 - 10 B	"	10 x 8	"	50.5	"	8	"	23	"
P - RUE 25 - 12 B	"	12 x 10	"	54.5	"	10	"	28	"
P - RUE 25 - 19 B	"	19 x 15.8	"	62	"	16	"	38	"

PART No.	Tube Size T1	Tube Size T2	(A)	(B)	ØE1	ØE2	F1	F2	W
Inch connection Dimension: mm									
* P - RUE W2 - W1 B	1/4" x 5/32"	1/8" x 0.086"	30	26	4	2.1	16	12	10
P - RUE W3 - W2 B	3/8" x 1/4"	1/4" x 5/32"	39.5	33	8	4	23	16	15
P - RUE W3 - 8 B	"	8 x 6	"	36	"	6	"	19	"
* P - RUE W4 - W1 A	1/2" x 3/8"	1/8" x 0.086"	34	27.5	10	2.1	28	12	25
P - RUE W4 - W2 B	"	1/4" x 5/32"	45.5	35	"	4	"	16	18
P - RUE W4 - 8 B	"	8 x 6	"	38	"	6	"	19	"
P - RUE W4 - W3 B	"	3/8" x 1/4"	"	41.5	"	8	"	23	"
P - RUE W6 - W2 B	3/4" x 5/8"	1/4" x 5/32"	57	39	16	4	38	16	27
P - RUE W6 - 8 B	"	8 x 6	"	42	"	6	"	19	"
P - RUE W6 - W3 B	"	3/8" x 1/4"	"	45.5	"	8	"	23	"
P - RUE W6 - W4 B	"	1/2" x 3/8"	"	49.5	"	10	"	28	"
P - RUE W8 - W2 B	1" x 7/8"	1/4" x 5/32"	69.5	44	22	4	47.5	16	34
P - RUE W8 - 8 B	"	8 x 6	"	47	"	6	"	19	"
P - RUE W8 - W3 B	"	3/8" x 1/4"	"	50.5	"	8	"	23	"
P - RUE W8 - W4 B	"	1/2" x 3/8"	"	54.5	"	10	"	28	"
P - RUE W8 - W6 B	"	3/4" x 5/8"	"	62	"	16	"	38	"

• [P-RUE W6-8B] = [P-RUE 19-8B]



F1, F2: Indicates width of union nut

PART No.	Tube Size T1	Tube Size T2	(A)	(B)	ØE1	ØE2	F1	F2	W
metric connection Dimension: mm									
P - RUE 6 - S6 A	6 x 4	6 x 4	26.5	27	4	4.4	16	16	15
P - RUE 10 - S10 A	10 x 8	10 x 8	35.5	37	8	8	23	22	21
P - RUE 12 - S12 A	12 x 10	12 x 10	41.5	42.5	10	10	28	27	25
P - RUE 19 - S19 A	19 x 15.8	19 x 15.8	53	56.5	16	16	38	38	34
P - RUE 19 - S25 A	"	25 x 22	58	62	"	24.6	"	50	44
P - RUE 25 - S25 A	25 x 22	25 x 22	65	67	22	24.6	47.5	50	44
Inch connection Dimension: mm									
P - RUE W2 - SW2 A	1/4" x 5/32"	1/4" x 5/32"	26.5	27	4	4.4	16	16	15
P - RUE W3 - SW3 A	3/8" x 1/4"	3/8" x 1/4"	35.5	37	8	8	23	22	21
P - RUE W4 - SW4 A	1/2" x 3/8"	1/2" x 3/8"	41.5	42.5	10	10	28	27	25
P - RUE W6 - SW6 A	3/4" x 5/8"	3/4" x 5/8"	53	56.5	16	16	38	38	34
P - RUE W6 - SW8 A	"	1" x 7/8"	58	62	"	24.6	"	50	44
P - RUE W8 - SW8 A	1" x 7/8"	1" x 7/8"	65	67	22	24.6	47.5	50	44

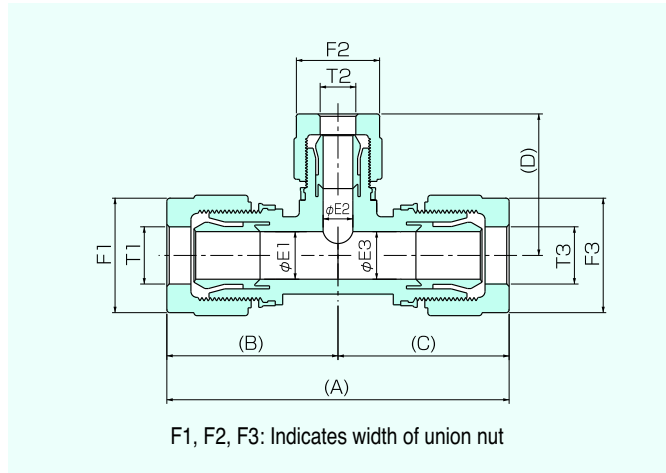
• [P-RUE W6-SW6A] = [P-RUE 19-S19A]

- This fitting is for piping of Super Type to Super 300 Type P Series.
- Custom designed fittings are available, please consult Pillar representative for custom products.
- All dimensions are for reference purpose only.
- "W" indicates bilateral dimension.
- * mark items: Please refer to page 4

P-RUT

REDUCING UNION TEE

metric Tube Type



PART No.	Tube Size T1	Tube Size T2	Tube Size T3	(A)	(B)	(C)	(D)	ØE1	ØE2	ØE3	F1	F2	F3	W
metric connection														Dimension: mm
* P - RUT 3 - 4 - 3 B	3 x 2	4 x 3	3 x 2	45.5	23	23	22.5	2.1	3.1	2.1	12	12	12	8
* P - RUT 3 - 6 - 3 B	"	6 x 4	"	51.5	26	26	30	"	4	"	"	16	"	10
* P - RUT 3 - 12 - 3 A	"	12 x 10	"	54.5	27.5	27.5	34	"	10	"	"	28	"	25
* P - RUT 4 - 3 - 4 B	4 x 3	3 x 2	4 x 3	45.5	22.5	22.5	23	3.1	2.1	3.1	12	12	12	8
* P - RUT 4 - 6 - 4 B	"	6 x 4	"	51.5	25.5	25.5	30	"	4	"	"	16	"	10
* P - RUT 6 - 3 - 6 B	6 x 4	3 x 2	6 x 4	60	30	30	26	4	2.1	4	16	12	16	10
* P - RUT 6 - 4 - 6 B	"	4 x 3	"	"	"	"	25.5	"	3.1	"	"	"	"	"
P - RUT 6 - 8 - 6 A	"	8 x 6	"	56	28	28	29.5	"	6	"	"	19	"	18
P - RUT 6 - 10 - 6 B	"	10 x 8	"	66	33	33	39.5	"	8	"	"	23	"	15
P - RUT 6 - 12 - 6 A	"	12 x 10	"	63	31.5	31.5	36.5	"	10	"	"	28	"	25
P - RUT 6 - 25 - 6 A	"	25 x 22	"	81	40.5	40.5	50.5	"	22	"	"	47.5	"	43
P - RUT 8 - 6 - 6 B	8 x 6	6 x 4	6 x 4	66	34.5	31.5	31.5	6	4	4	19	16	16	13
P - RUT 8 - 6 - 8 B	"	"	8 x 6	69	"	34.5	"	"	"	6	"	"	19	"
P - RUT 8 - 8 - 6 B	"	8 x 6	6 x 4	66	"	31.5	34.5	"	6	4	"	19	16	"
* P - RUT 10 - 3 - 10 A	10 x 8	3 x 2	10 x 8	60	30	30	25.5	8	2.1	8	23	12	23	21
P - RUT 10 - 6 - 6 B	"	6 x 4	6 x 4	72.5	39.5	33	33	"	4	4	"	16	16	15
P - RUT 10 - 6 - 10 B	"	"	10 x 8	79	"	39.5	"	"	"	8	"	"	23	"
P - RUT 10 - 8 - 8 A	"	8 x 6	8 x 6	65	34	31	32.5	"	6	6	"	19	19	21
P - RUT 10 - 8 - 10 B	"	"	10 x 8	79	39.5	39.5	36	"	"	8	"	"	23	15
P - RUT 10 - 10 - 6 B	"	10 x 8	6 x 4	72.5	"	33	39.5	"	8	4	"	23	16	"
P - RUT 10 - 12 - 10 B	"	12 x 10	10 x 8	83	41.5	41.5	45.5	"	10	8	"	28	23	18
P - RUT 10 - 19 - 10 A	"	19 x 15.8	"	83.5	42	42	46.5	"	16	"	"	38	"	33.5
* P - RUT 12 - 3 - 12 A	12 x 10	3 x 2	12 x 10	68	34	34	27.5	10	2.1	10	28	12	28	25
P - RUT 12 - 6 - 6 B	"	6 x 4	6 x 4	80.5	45.5	35	35	"	4	4	"	16	16	18
P - RUT 12 - 6 - 10 A	"	"	10 x 8	69	36.5	32.5	31.5	"	"	8	"	"	23	25
P - RUT 12 - 6 - 12 B	"	"	12 x 10	91	45.5	45.5	35	"	"	10	"	"	28	18
P - RUT 12 - 8 - 12 B	"	8 x 6	"	"	"	"	38	"	6	"	"	19	"	"
P - RUT 12 - 10 - 6 A	"	10 x 8	6 x 4	69	39.5	29.5	37.5	"	8	4	"	23	16	25
P - RUT 12 - 10 - 10 B	"	"	10 x 8	87	45.5	41.5	41.5	"	"	8	"	"	23	18
P - RUT 12 - 10 - 12 B	"	"	12 x 10	91	"	45.5	"	"	"	10	"	"	28	"
P - RUT 12 - 12 - 6 B	"	12 x 10	6 x 4	80.5	"	35	45.5	"	10	4	"	28	16	"
P - RUT 12 - 12 - 10 A	"	"	10 x 8	79	41.5	37.5	41.5	"	"	8	"	"	23	25
P - RUT 12 - 19 - 10 A	"	19 x 15.8	"	87.5	46	42	48.5	"	16	"	"	38	"	33.5
P - RUT 12 - 19 - 12 B	"	"	12 x 10	99	49.5	49.5	57	"	"	10	"	"	28	27
P - RUT 12 - 25 - 12 A	"	25 x 22	"	101	50.5	50.5	55.5	"	22	"	"	47.5	"	43

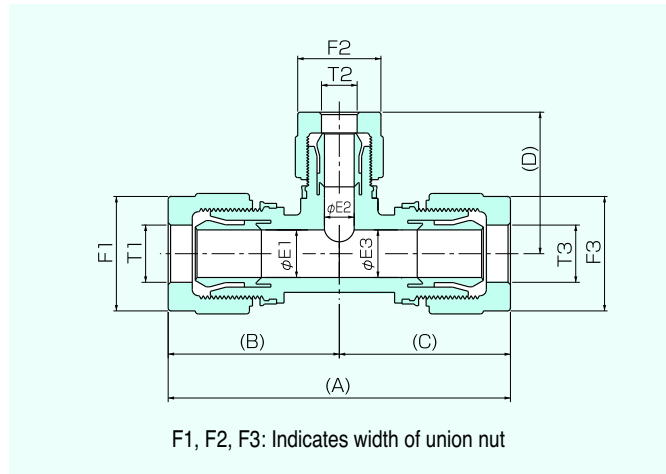
(continued to the next page)

- Custom designed fittings are available, please consult Pillar representative for custom products.
- All dimensions are for reference purpose only.
- "W" indicates bilateral dimension.
- * mark items: Please refer to page 4

P-RUT

REDUCING UNION TEE

metric Tube Type



PART No.	Tube Size T1	Tube Size T2	Tube Size T3	(A)	(B)	(C)	(D)	ØE1	ØE2	ØE3	F1	F2	F3	W
metric connection														Dimension: mm
* P - RUT 19 - 3 - 19 A	19 x 15.8	3 x 2	19 x 15.8	82	41	41	31.5	16	2.1	16	38	12	38	33.5
* P - RUT 19 - 4 - 19 A	"	4 x 3	"	"	"	"	"	"	3.1	"	"	"	"	"
P - RUT 19 - 6 - 12 A	"	6 x 4	12 x 10	80	43.5	36.5	36	"	4	10	"	16	28	"
P - RUT 19 - 6 - 19 B	"	"	19 x 15.8	114	57	57	39	"	"	16	"	"	38	27
P - RUT 19 - 8 - 19 B	"	8 x 6	"	"	"	"	42	"	6	"	"	19	"	"
P - RUT 19 - 10 - 6 A	"	10 x 8	6 x 4	76	46.5	29.5	"	"	8	4	"	23	16	33.5
P - RUT 19 - 10 - 10 A	"	"	10 x 8	82	"	35.5	"	"	"	8	"	"	23	"
P - RUT 19 - 10 - 19 B	"	"	19 x 15.8	114	57	57	45.5	"	"	16	"	"	38	27
P - RUT 19 - 12 - 10 A	"	12 x 10	10 x 8	86	48.5	37.5	46	"	10	8	"	28	23	33.5
P - RUT 19 - 12 - 12 B	"	"	12 x 10	106.5	57	49.5	49.5	"	"	10	"	"	28	27
P - RUT 19 - 12 - 19 B	"	"	19 x 15.8	114	"	57	"	"	"	16	"	"	38	"
P - RUT 19 - 19 - 6 B	"	19 x 15.8	6 x 4	96	"	39	57	"	16	4	"	38	16	"
P - RUT 19 - 19 - 8 B	"	"	8 x 6	99	"	42	"	"	"	6	"	"	19	"
P - RUT 19 - 19 - 10 B	"	"	10 x 8	102.5	"	45.5	"	"	"	8	"	"	23	"
P - RUT 19 - 19 - 12 B	"	"	12 x 10	106.5	"	49.5	"	"	"	10	"	"	28	"
P - RUT 19 - 25 - 10 A	"	25 x 22	10 x 8	104	57.5	46.5	60	"	22	8	"	47.5	23	43
P - RUT 19 - 25 - 12 A	"	"	12 x 10	108	"	50.5	"	"	"	10	"	"	28	"
P - RUT 19 - 25 - 19 B	"	"	19 x 15.8	124	62	62	69.5	"	"	16	"	"	38	34
P - RUT 25 - 6 - 25 B	25 x 22	6 x 4	25 x 22	139	69.5	69.5	44	22	4	22	47.5	16	47.5	34
P - RUT 25 - 8 - 25 B	"	8 x 6	"	"	"	"	47	"	6	"	"	19	"	"
P - RUT 25 - 10 - 25 B	"	10 x 8	"	"	"	"	50.5	"	8	"	"	23	"	"
P - RUT 25 - 12 - 12 A	"	12 x 10	12 x 10	97	55.5	41.5	"	"	10	10	"	28	28	43
P - RUT 25 - 12 - 19 A	"	"	19 x 15.8	104	"	48.5	"	"	"	16	"	"	38	"
P - RUT 25 - 12 - 25 B	"	"	25 x 22	139	69.5	69.5	54.5	"	"	22	"	"	47.5	34
P - RUT 25 - 19 - 6 A	"	19 x 15.8	6 x 4	95.5	60	36	57.5	"	16	4	"	38	16	43
P - RUT 25 - 19 - 10 A	"	"	10 x 8	101.5	"	42	"	"	"	8	"	"	23	"
P - RUT 25 - 19 - 12 A	"	"	12 x 10	105.5	"	46	"	"	"	10	"	"	28	"
P - RUT 25 - 19 - 19 B	"	"	19 x 15.8	131.5	69.5	62	62	"	"	16	"	"	38	34
P - RUT 25 - 19 - 25 B	"	"	25 x 22	139	"	69.5	"	"	"	22	"	"	47.5	"
P - RUT 25 - 25 - 6 B	"	25 x 22	6 x 4	113.5	"	44	69.5	"	22	4	"	47.5	16	"
P - RUT 25 - 25 - 8 B	"	"	8 x 6	116.5	"	47	"	"	"	6	"	"	19	"
P - RUT 25 - 25 - 10 B	"	"	10 x 8	120	"	50.5	"	"	"	8	"	"	23	"
P - RUT 25 - 25 - 12 B	"	"	12 x 10	124	"	54.5	"	"	"	10	"	"	28	"
P - RUT 25 - 25 - 19 B	"	"	19 x 15.8	131.5	"	62	"	"	"	16	"	"	38	"

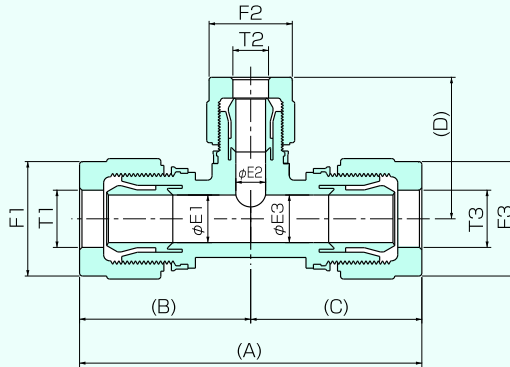
(continued from the previous page)

- Custom designed fittings are available, please consult Pillar representative for custom products.
- All dimensions are for reference purpose only.
- "W" indicates bilateral dimension.
- * mark items: Please refer to page 4

P-RUT

REDUCING UNION TEE

Inch Tube Type



F1, F2, F3: Indicates width of union nut

PART No.	Tube Size T1	Tube Size T2	Tube Size T3	(A)	(B)	(C)	(D)	ØE1	ØE2	ØE3	F1	F2	F3	W	
Inch connection														Dimension: mm	
* P - RUT W1 - W2 - W1 B	1/8" x 0.086"	1/4" x 5/32"	1/8" x 0.086"	51.5	26	26	30	2.1	4	2.1	12	16	12	10	
* P - RUT W1 - W4 - W1 A	"	1/2" x 3/8"	"	54.5	27.5	27.5	34	"	10	"	"	28	"	25	
* P - RUT W2 - W1 - W2 B	1/4" x 5/32"	1/8" x 0.086"	1/4" x 5/32"	60	30	30	26	4	2.1	4	16	12	16	10	
P - RUT W2 - W3 - W2 B	"	3/8" x 1/4"	"	66	33	33	39.5	"	8	"	"	23	"	15	
P - RUT W2 - W4 - W2 A	"	1/2" x 3/8"	"	63	31.5	31.5	36.5	"	10	"	"	28	"	25	
P - RUT W2 - W8 - W2 A	"	1" x 7/8"	"	81	40.5	40.5	50.5	"	22	"	"	47.5	"	43	
* P - RUT W3 - W1 - W3 A	3/8" x 1/4"	1/8" x 0.086"	3/8" x 1/4"	60	30	30	25.5	8	2.1	8	23	12	23	21	
P - RUT W3 - W2 - W2 B	"	1/4" x 5/32"	1/4" x 5/32"	72.5	39.5	33	33	"	4	4	"	16	16	15	
P - RUT W3 - W2 - W3 B	"	"	3/8" x 1/4"	79	"	39.5	"	"	8	"	"	23	"	"	
* P - RUT W3 - W3 - W1 A	"	3/8" x 1/4"	1/8" x 0.086"	61	35.5	25.5	35.5	"	8	2.1	"	23	12	21	
P - RUT W3 - W3 - W2 B	"	"	1/4" x 5/32"	72.5	39.5	33	39.5	"	"	4	"	"	16	15	
P - RUT W3 - W4 - W3 B	"	1/2" x 3/8"	3/8" x 1/4"	83	41.5	41.5	45.5	"	10	8	"	28	23	18	
P - RUT W3 - W6 - W2 A	"	3/4" x 5/8"	1/4" x 5/32"	77.5	41.8	35.8	46.5	"	16	4	"	38	16	33.5	
P - RUT W3 - W6 - W3 A	"	"	3/8" x 1/4"	83.5	42	42	"	"	"	8	"	"	23	"	
* P - RUT W4 - W1 - W4 A	1/2" x 3/8"	1/8" x 0.086"	1/2" x 3/8"	68	34	34	27.5	10	2.1	10	28	12	28	25	
P - RUT W4 - W2 - W2 B	"	1/4" x 5/32"	1/4" x 5/32"	80.5	45.5	35	35	"	4	4	"	16	16	18	
P - RUT W4 - W2 - W3 A	"	"	3/8" x 1/4"	69	36.5	32.5	31.5	"	"	8	"	"	23	25	
P - RUT W4 - W2 - W4 B	"	"	1/2" x 3/8"	91	45.5	45.5	35	"	"	10	"	"	28	18	
P - RUT W4 - W3 - W2 A	"	3/8" x 1/4"	1/4" x 5/32"	69	39.5	29.5	37.5	"	8	4	"	23	16	25	
P - RUT W4 - W3 - W3 B	"	"	3/8" x 1/4"	87	45.5	41.5	41.5	"	"	8	"	"	23	18	
P - RUT W4 - W3 - W4 B	"	"	1/2" x 3/8"	91	"	45.5	"	"	"	10	"	"	28	"	
P - RUT W4 - W4 - W2 B	"	1/2" x 3/8"	1/4" x 5/32"	80.5	"	35	45.5	"	10	4	"	28	16	"	
P - RUT W4 - W4 - W3 A	"	"	3/8" x 1/4"	79	41.5	37.5	41.5	"	"	8	"	"	23	25	
P - RUT W4 - W6 - W3 A	"	3/4" x 5/8"	"	87.5	46	42	48.5	"	16	"	"	38	"	33.5	
P - RUT W4 - W6 - W4 B	"	"	1/2" x 3/8"	99	49.5	49.5	57	"	"	10	"	"	28	27	
P - RUT W4 - W8 - W4 A	"	1" x 7/8"	"	101	50.5	50.5	55.5	"	22	"	"	47.5	"	43	

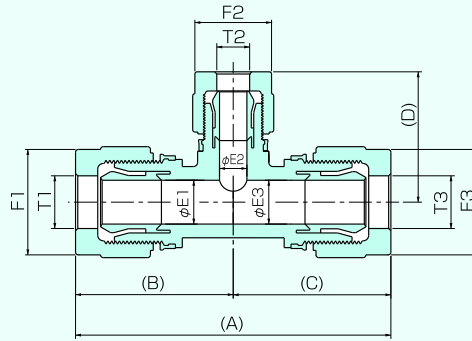
(continued to the next page)

- Custom designed fittings are available, please consult Pillar representative for custom products.
- All dimensions are for reference purpose only.
- "W" indicates bilateral dimension.
- * mark items: Please refer to page 4

P-RUT

REDUCING UNION TEE

Inch Tube Type



F1, F2, F3: Indicates width of union nut

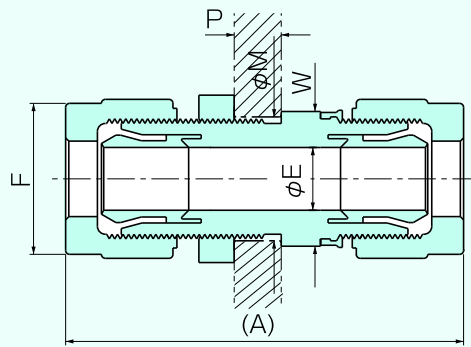
PART No.	Tube Size T1	Tube Size T2	Tube Size T3	(A)	(B)	(C)	(D)	ØE1	ØE2	ØE3	F1	F2	F3	W	
Inch connection														Dimension: mm	
* P - RUT W6 - W1 - W6 A	3/4" x 5/8"	1/8" x 0.086"	3/4" x 5/8"	82	41	41	31.5	16	2.1	16	38	12	38	33.5	
P - RUT W6 - W2 - W4 A	"	1/4" x 5/32"	1/2" x 3/8"	80	43.5	36.5	36	"	4	10	"	16	28	"	
P - RUT W6 - W2 - W6 B	"	"	3/4" x 5/8"	114	57	57	39	"	"	16	"	"	38	27	
P - RUT W6 - W3 - W2 A	"	3/8" x 1/4"	1/4" x 5/32"	76	46.5	29.5	42	"	8	4	"	23	16	33.5	
P - RUT W6 - W3 - W3 A	"	"	3/8" x 1/4"	82	"	35.5	"	"	"	8	"	"	23	"	
P - RUT W6 - W3 - W6 B	"	"	3/4" x 5/8"	114	57	57	45.5	"	"	16	"	"	38	27	
P - RUT W6 - W4 - W3 A	"	1/2" x 3/8"	3/8" x 1/4"	86	48.5	37.5	46	"	10	8	"	28	23	33.5	
P - RUT W6 - W4 - W4 B	"	"	1/2" x 3/8"	106.5	57	49.5	49.5	"	"	10	"	"	28	27	
P - RUT W6 - W4 - W6 B	"	"	3/4" x 5/8"	114	"	57	"	"	"	16	"	"	38	"	
P - RUT W6 - W6 - W2 B	"	3/4" x 5/8"	1/4" x 5/32"	96	"	39	57	"	16	4	"	38	16	"	
P - RUT W6 - W6 - W3 B	"	"	3/8" x 1/4"	102.5	"	45.5	"	"	"	8	"	"	23	"	
P - RUT W6 - W6 - W4 B	"	"	1/2" x 3/8"	106.5	"	49.5	"	"	"	10	"	"	28	"	
P - RUT W6 - W8 - W3 A	"	1" x 7/8"	3/8" x 1/4"	104	57.5	46.5	60	"	22	8	"	47.5	23	43	
P - RUT W6 - W8 - W4 A	"	"	1/2" x 3/8"	108	"	50.5	"	"	"	10	"	"	28	"	
P - RUT W6 - W8 - W6 B	"	"	3/4" x 5/8"	124	62	62	69.5	"	"	16	"	"	38	34	
P - RUT W8 - W2 - W8 B	1" x 7/8"	1/4" x 5/32"	1" x 7/8"	139	69.5	69.5	44	22	4	22	47.5	16	47.5	34	
P - RUT W8 - W3 - W3 A	"	3/8" x 1/4"	3/8" x 1/4"	89	53.5	35.5	46.5	"	8	8	"	23	23	43	
P - RUT W8 - W3 - W8 B	"	"	1" x 7/8"	139	69.5	69.5	50.5	"	22	"	"	47.5	34	"	
P - RUT W8 - W4 - W4 A	"	1/2" x 3/8"	1/2" x 3/8"	97	55.5	41.5	"	"	10	10	"	28	28	43	
P - RUT W8 - W4 - W6 A	"	"	3/4" x 5/8"	104	"	48.5	"	"	"	16	"	"	38	"	
P - RUT W8 - W4 - W8 B	"	"	1" x 7/8"	139	69.5	69.5	54.5	"	"	22	"	"	47.5	34	
P - RUT W8 - W6 - W2 A	"	3/4" x 5/8"	1/4" x 5/32"	95.5	60	36	57.5	"	16	4	"	38	16	43	
P - RUT W8 - W6 - W3 A	"	"	3/8" x 1/4"	101.5	"	42	"	"	"	8	"	"	23	"	
P - RUT W8 - W6 - W4 A	"	"	1/2" x 3/8"	105.5	"	46	"	"	"	10	"	"	28	"	
P - RUT W8 - W6 - W6 B	"	"	3/4" x 5/8"	131.5	69.5	62	62	"	"	16	"	"	38	34	
P - RUT W8 - W6 - W8 B	"	"	1" x 7/8"	139	"	69.5	"	"	"	22	"	"	47.5	"	
P - RUT W8 - W8 - W2 B	"	1" x 7/8"	1/4" x 5/32"	113.5	"	44	69.5	"	22	4	"	47.5	16	"	
P - RUT W8 - W8 - W3 B	"	"	3/8" x 1/4"	120	"	50.5	"	"	"	8	"	"	23	"	
P - RUT W8 - W8 - W4 B	"	"	1/2" x 3/8"	124	"	54.5	"	"	"	10	"	"	28	"	
P - RUT W8 - W8 - W6 B	"	"	3/4" x 5/8"	131.5	"	62	"	"	"	16	"	"	38	"	

(continued from the previous page)

- Custom designed fittings are available, please consult Pillar representative for custom products.
- All dimensions are for reference purpose only.
- "W" indicates bilateral dimension.
- * mark items: Please refer to page 4

P-PMU

PANEL MOUNT UNION



F: Indicates width of union nut

PART No.	Tube Size	(A)	ØE	F	MAX P	ØM	W
metric connection Dimension: mm							
* P - PMU - 3B	3 x 2	48.5	2.1	12	7	8.5	14
* P - PMU - 4B	4 x 3	48.5	3.1	12	7	8.5	14
P - PMU - 6B	6 x 4	57	4	16	7	12.5	15
P - PMU - 8B	8 x 6	65	6	19	7	15.5	18
P - PMU - 10B	10 x 8	71	8	23	7	18.5	21
P - PMU - 12B	12 x 10	81	10	28	7	22.5	25
P - PMU - 19B	19 x 15.8	98	16	38	7	31	33.5
P - PMU - 25B	25 x 22	123	22	47.5	10	41	43
Inch connection Dimension: mm							
* P - PMU - W1B	1/8" x 0.086"	48.5	2.1	12	7	8.5	14
P - PMU - W2B	1/4" x 5/32"	57	4	16	7	12.5	15
P - PMU - W3B	3/8" x 1/4"	71	8	23	7	18.5	21
P - PMU - W4B	1/2" x 3/8"	81	10	28	7	22.5	25
P - PMU - W6B	3/4" x 5/8"	98	16	38	7	31	33.5
P - PMU - W8B	1" x 7/8"	123	22	47.5	10	41	43
Inch connection Dimension: mm							
* P - PMU - W1A/12.7T	1/8" x 0.086"	54.5	2.1	12	12.7	8.5	14
P - PMU - W2A/12.7T	1/4" x 5/32"	62.5	4	16	12.7	12.5	16
P - PMU - W3A/12.7T	3/8" x 1/4"	76.5	8	23	12.7	18.5	22
P - PMU - W4A/12.7T	1/2" x 3/8"	86.5	10	28	12.7	22.5	27
P - PMU - W6A/12.7T	3/4" x 5/8"	103.5	16	38	12.7	31	38
P - PMU - W8A/12.7T	1" x 7/8"	125.5	22	47.5	12.7	41	46

• **[P-PMU-W6B] = [P-PMU-19B]**

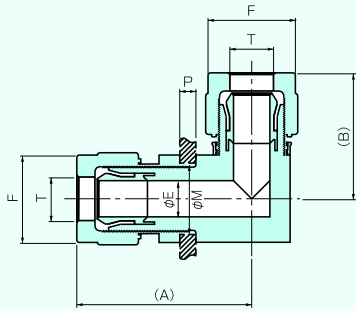
• Custom designed fittings are available, please consult Pillar representative for custom products.

• All dimensions are for reference purpose only.

• * mark items: Please refer to page 4

P-PMUE

PANEL MOUNT UNION ELBOW



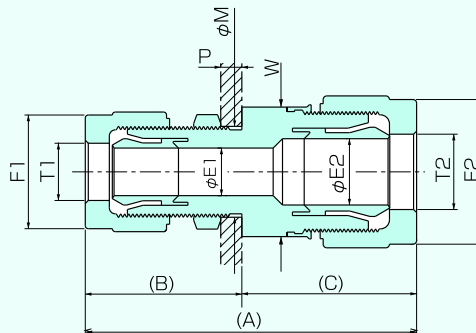
F: Indicates width of union nut

PART No.	Tube Size T	(A)	(B)	ØE	F	MAX P	ØM	W	
metric connection									Dimension: mm
P - PMUE W2A	1/4" x 5/32"	44	27	4	16	7	12.5	16	
P - PMUE W3A	3/8" x 1/4"	53.5	36	8	23	7	18.5	22	
P - PMUE W4A	1/2" x 3/8"	64.3	42.5	10	28	7	22.5	27	
P - PMUE W6A	3/4" x 5/8"	76.4	55	16	38	7	31	38	
P - PMUE W8A	1" x 7/8"	98	66	22	47.5	10	41	46	
* P - PMUE W1A / 12.7 T	1/8" x 0.086"	40.5	22	2	12	12.7	8.5	14	
P - PMUE W2A / 12.7 T	1/4" x 5/32"	49.7	27	4	16	12.7	12.5	16	
P - PMUE W3A / 12.7 T	3/8" x 1/4"	59.2	36	8	23	12.7	18.5	22	
P - PMUE W4A / 12.7 T	1/2" x 3/8"	70	42.5	10	28	12.7	22.5	27	
P - PMUE W6A / 12.7 T	3/4" x 5/8"	82.1	55	16	38	12.7	31	38	
P - PMUE W8A / 12.7 T	1" x 7/8"	100.7	66	22	47.5	12.7	41	46	

- Special items are available • Please consult Pillar representative for custom products.
- All dimensions are for reference purpose only.
- * mark items: Please refer to page 4
- "W" indicates bilateral dimension.

P-PMRU

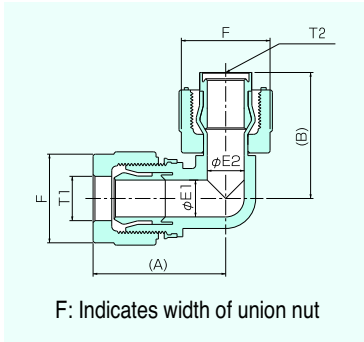
PANEL MOUNT REDUCING UNION



F1, F2: Indicates width of union nut

PART No.	Tube Size T1	Tube Size T2	(A)	(B)	(C)	ØE1	ØE2	F1	F2	MAX P	ØM	W	
metric connection													Dimension: mm
* P - PMRU 3 - 4 A	3 x 2	4 x 3	48.5	27	21.5	2.1	3.1	12	12	7	8.5	14	
* P - PMRU 6 - 3 A	6 x 4	3 x 2	53	31	22	4	2.1	16	12	7	12.5	16	
P - PMRU 6 - 10 A	"	10 x 8	63	"	32	"	8	"	23	"	"	21	
P - PMRU 10 - 12 A	10 x 8	12 x 10	75	39	36	8	10	23	28	7	18.5	27	
P - PMRU 12 - 6 A	12 x 6	6 x 4	71	45	26	10	4	28	16	7	22.5	27	
P - PMRU 12 - 19 A	"	19 x 15.8	91	"	46	"	16	"	38	"	"	38	
P - PMRU 19 - 10 A	19 x 15.8	10 x 8	87	52	35	16	8	38	23	7	31	38	
P - PMRU 19 - 25 A	"	25 x 22	110	"	58	"	22	"	47.5	"	"	43	
inch connection													Dimension: mm
* P - PMRU W2 - W1 A	1/4" x 5/32"	1/8" x 0.086"	53	31	22	4	2.1	16	12	7	12.5	16	
P - PMRU W2 - W3 A	"	3/8" x 1/4"	63	"	32	"	8	"	23	"	"	21	
P - PMRU W3 - W4 A	3/8" x 1/4"	1/2" x 3/8"	75	39	36	8	10	23	28	7	18.5	27	
P - PMRU W4 - W2 A	1/2" x 3/8"	1/4" x 5/32"	71	45	26	10	4	28	16	7	22.5	27	
P - PMRU W4 - W6 A	"	3/4" x 5/8"	91	"	46	"	16	"	38	"	"	38	
P - PMRU W6 - W3 A	3/4" x 5/8"	3/8" x 1/4"	87	52	35	16	8	38	23	7	31	38	
P - PMRU W6 - W8 A	"	1" x 7/8"	110	"	58	"	22	"	47.5	"	"	43	

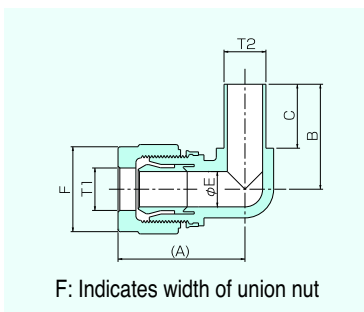
- All fittings are designed to connect with pillar Super300 fitting made by Nippon Pillar only.
- Custom designed fittings are available, please consult Pillar representative for custom products.
- All dimensions are for reference purpose only.
- * mark items: Please refer to page 4

P-UEA**UNION ELBOW ADAPTOR****SPACE SAVER****Sleeve & Nut Set**

PART No.	Tube Size T1	Connectable Body Size T2	(A)	(B)	ØE1	ØE2	F	W
metric connection Dimension: mm								
P - UEA 6 - TW2BS	6 x 4	6 , 1/4"	30	29.5	4	3.95	16	10
P - UEA 8 - T8BS	8 x 6	8	34.5	33	6	6	19	13
P - UEA 10 - TW3BS	10 x 8	10, 3/8"	39.5	38.5	8	6.33	23	15
P - UEA 12 - TW4BS	12 x 10	12 , 1/2"	45.5	44.5	10	9.5	28	18
P - UEA 19 - T19BS	19 x 15.8	19 , 3/4"	57	56.5	16	15.8	38	27
P - UEA 25 - TW8BS	25 x 22	25 , 1"	69.5	68.5	22	22.2	47.5	34

PART No.	Tube Size T1	Tube Size T2	(A)	B	C	ØE	F	W
Inch connection Dimension: mm								
P - UEA W2 - TW2BS	1/4" x 5/32"	6 , 1/4"	30	29.5	4	3.95	16	10
P - UEA W3 - TW3BS	3/8" x 1/4"	10 , 3/8"	39.5	38.5	8	6.33	23	15
P - UEA W4 - TW4BS	1/2" x 3/8"	12 , 1/2"	45.5	44.5	10	9.5	28	18
P - UEA W6 - TW6BS	3/4" x 5/8"	19 , 3/4"	57	56.5	16	15.8	38	27
P - UEA W8 - TW8BS	1" x 7/8"	25 , 1"	69.5	68.5	22	22.2	47.5	34

- [P-UEA W6-TW6BS] = [P-UEA 19-T19BS]
- Connectable Body Size T: All fittings are designed to connect with Pillar Super300 fitting made by Nippon Pillar only.
- Custom designed fittings are available, please consult Pillar representative for custom products.
- All dimensions are for reference purpose only.
- "W" indicates bilateral dimension.

Tube End Type

PART No.	Tube Size T1	Tube Size T2	(A)	B	C	ØE	F	W
metric connection Dimension: mm								
P - UEA 6 - TW2BT	6 x 4	6.35 x 3.95	30	26.5	17	4	16	10
P - UEA 8 - T8 BT	8 x 6	8 x 6	34.5	29	18	6	19	13
P - UEA 10 - TW3BT	10 x 8	9.53 x 6.33	39.5	33.5	21	8	23	15
P - UEA 12 - TW4BT	12 x 10	12.7 x 9.5	45.5	39.5	25	10	28	18
P - UEA 19 - T19BT	19 x 15.8	19 x 15.8	57	49.6	31	16	38	27
P - UEA 25 - TW8BT	25 x 22	25.4 x 22.2	69.5	61.5	38	22	47.5	34

PART No.	Tube Size T1	Tube Size T2	(A)	B	C	ØE	F	W
Inch connection Dimension: mm								
P - UEA W2 - TW2BT	1/4" x 5/32"	1/4" x 5/32"	30	26.5	17	4	16	10
P - UEA W3 - TW3BT	3/8" x 1/4"	3/8" x 1/4"	39.5	33.5	21	8	23	15
P - UEA W4 - TW4BT	1/2" x 3/8"	1/2" x 3/8"	45.5	39.5	25	10	28	18
P - UEA W6 - TW6BT	3/4" x 5/8"	3/4" x 5/8"	57	49.6	31	16	38	27
P - UEA W8 - TW8BT	1" x 7/8"	1" x 7/8"	69.5	61.5	38	22	47.5	34

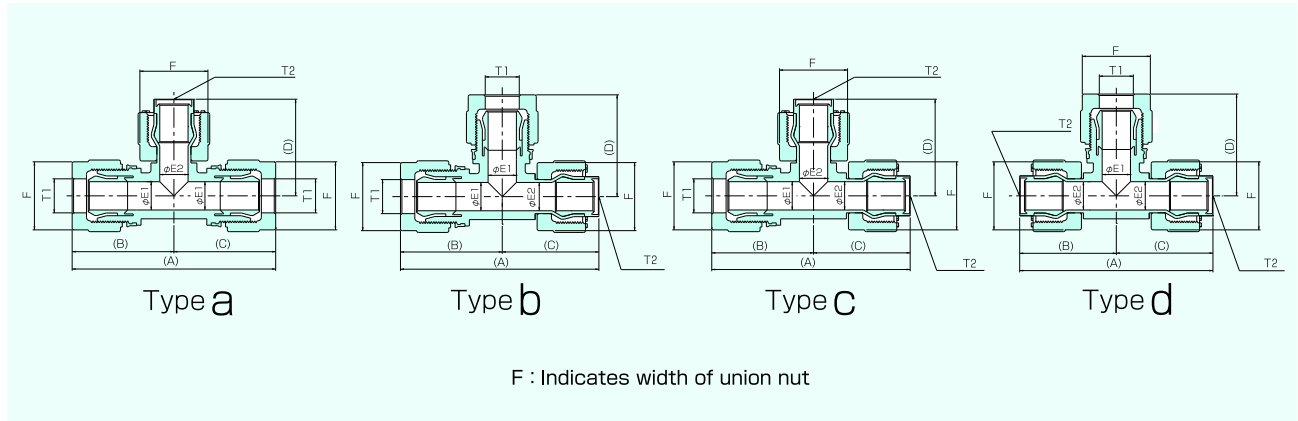
- [P-UEA W6 TW6BT] = [P-UEA 19-T19BT]
- Custom designed fittings are available, please consult Pillar representative for custom products.
- All dimensions are for reference purpose only.
- "W" indicates bilateral dimension.

P-UTA

UNION TEE ADAPTOR

SPACE SAVER

Sleeve & Nut Set



PART No.	Type	Tube Size T1	Connectable Body Size T2	(A)	(B)	(C)	(D)	ØE1	ØE2	F	W
Dimension: mm											
metric connection											
P - UTA 6 - TW2 - 6 BS	a	6 x 4	6 , 1/4"	60	30	30	29.5	4	3.95	16	10
P - UTA 6 - 6 - T6 AS	b	"	"	54	26.5	27.5	26.5	"	4	"	15
P - UTA 8 - T8 - 8 BS	a	8 x 6	8	69	34.5	34.5	33	6	6	19	13
P - UTA 8 - 8 - T8 AS	b	"	"	62	31	31	31	"	"	"	18
P - UTA T8 - 8 - T8 AS	d	"	"	"	"	"	"	"	"	"	"
P - UTA 10 - TW3 - 10 BS	a	10 x 8	10 , 3/8"	79	39.5	39.5	38.5	8	6.33	23	15
P - UTA 10 - 10 - T10 AS	b	"	"	72	35.5	36.5	35.5	"	8	"	21
P - UTA 12 - TW4 - 12 BS	a	12 x 10	12 , 1/2"	91	45.5	45.5	44.5	10	9.5	28	18
P - UTA 12 - 12 - T12 AS	b	"	"	84	41.5	42.5	41.5	"	10	"	25
P - UTA T12 - 12 - T12 AS	d	"	"	85	42.5	"	"	"	"	"	"
P - UTA 19 - T19 - 19 BS	a	19 x 15.8	19 , 3/4"	114	57	57	56.5	16	15.8	38	27
P - UTA 19 - 19 - T19 BS	b	"	"	113.5	"	56.5	57	"	"	"	"
P - UTA 19 - T19 - T19 BS	c	"	"	"	55	"	56.5	"	"	"	"
P - UTA T19 - 19 - T19 AS	d	"	"	109.5	55	55	53	"	"	"	33.5
P - UTA 25 - TW8 - 25 BS	a	25 x 22	25 , 1"	139	69.5	69.5	68.5	22	22	47.5	34
P - UTA 25 - 25 - TW8 BS	b	"	"	138	"	68.5	69.5	"	22.2	"	"
P - UTA 25 - T25 - T25 AS	c	"	"	134	64.5	69.5	"	"	22	"	43
P - UTA 25 - TW8 - TW8 AS	c	"	"	"	"	"	"	"	22.2	"	"
P - UTA T25 - 25 - T25 AS	d	"	"	133	66.5	66.5	64.5	"	22	"	"
P - UTA TW8 - 25 - TW8 AS	d	"	"	"	"	"	"	"	22.2	"	"
Dimension: mm											
Inch connection											
P - UTA W2 - TW2 - W2 BS	a	1/4" x 5/32"	6 , 1/4"	60	30	30	29.5	4	3.95	16	10
P - UTA W2 - W2 - TW2 AS	b	"	"	54	26.5	27.5	26.5	"	"	"	15
P - UTA TW2 - W2 - TW2 AS	d	"	"	55	27.5	"	"	"	"	"	"
P - UTA W3 - TW3 - W3 BS	a	3/8" x 1/4"	10 , 3/8"	79	39.5	39.5	38.5	8	6.33	23	15
P - UTA W3 - W3 - TW3 AS	b	"	"	72	35.5	36.5	35.5	"	"	"	21
P - UTA W3 - TW3 - TW3 AS	c	"	"	"	"	"	36.5	"	"	"	"
P - UTA TW3 - W3 - TW3 AS	d	"	"	73	36.5	"	"	"	"	"	"
P - UTA W4 - TW4 - W4 BS	a	1/2" x 3/8"	12 , 1/2"	91	45.5	45.5	44.5	10	9.5	28	18
P - UTA W4 - W4 - TW4 BS	b	"	"	90	"	44.5	45.5	"	"	"	"
P - UTA W4 - TW4 - TW4 AS	c	"	"	"	"	"	42.5	"	"	"	"
P - UTA TW4 - W4 - TW4 AS	d	"	"	85	42.5	42.5	41.5	"	"	"	"
P - UTA W6 - TW6 - W6 BS	a	3/4" x 5/8"	19 , 3/4"	114	57	57	56.5	16	15.8	38	27
P - UTA W6 - W6 - TW6 BS	b	"	"	113.5	"	56.5	57	"	"	"	"
P - UTA W6 - TW6 - TW6 BS	c	"	"	"	"	"	56.5	"	"	"	"
P - UTA TW6 - W6 - TW6 AS	d	"	"	109.5	55	55	53	"	"	"	33.5
P - UTA W8 - TW8 - W8 BS	a	1" x 7/8"	25 , 1"	139	69.5	69.5	68.5	22	22.2	47.5	34
P - UTA W8 - W8 - TW8 BS	b	"	"	138	"	68.5	69.5	"	"	"	43
P - UTA W8 - TW8 - TW8 AS	c	"	"	134	64.5	69.5	"	"	"	"	"
P - UTA TW8 - W8 - TW8 AS	d	"	"	133	66.5	66.5	64.5	"	"	"	"

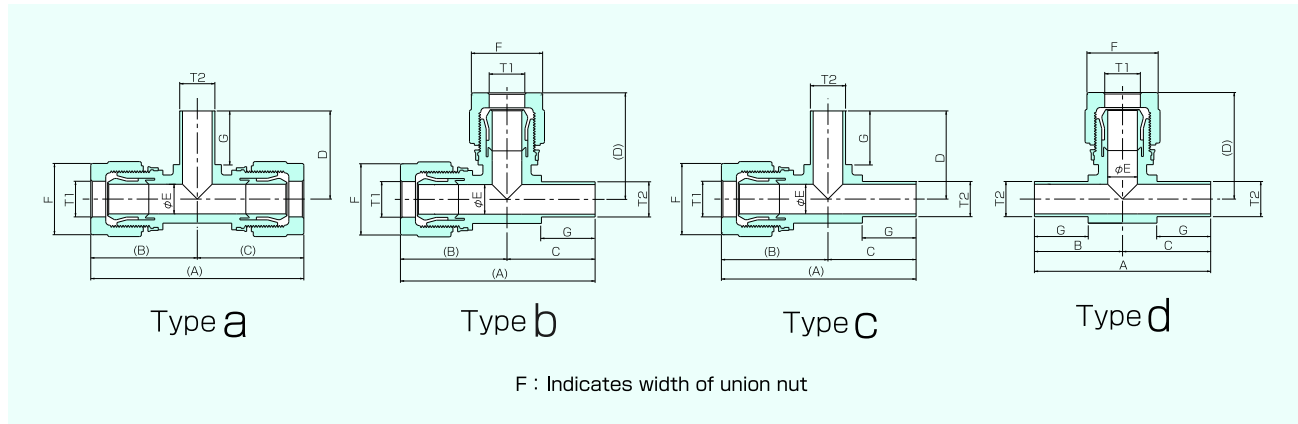
- [P-UTA W6-TW6-W6BS] = [P-UTA 19-T19-19BS] • [P-UTA W6-TW6-TW6BS] = [P-UTA 19-T19-T19BS]
- [P-UTA W6-W6-TW6BS] = [P-UTA 19-19-T19BS] • [P-UTA TW6-W6-TW6AS] = [P-UTA T19-19-T19AS]
- Connectable Body Size T: All fittings are designed to connect with Pillar Super300 fitting made by Nippon Pillar only.
- Custom designed fittings are available, please consult Pillar representative for custom products.
- All dimensions are for reference purpose only.
- "W" indicates bilateral dimension.

P-UTA

UNION TEE ADAPTOR

SPACE SAVER

Tube End Type



PART No.	Type	Tube Size T1	Tube Size T2	A (A)	B (B)	C (C)	D (D)	G	øE	F	W
metric connection											
Dimension: mm											
P - UTA 6 - TW2 - 6 BT	a	6 x 4	6.35 x 3.95	60	30	30	26.5	17	4	16	10
P - UTA 6 - 6 - T6 AT	b	"	6 x 4	51	26.5	24.5	"	"	"	"	15
P - UTA 8 - T8 - 8 BT	a	8 x 6	8 x 6	69	34.5	34.5	29	18	6	19	13
P - UTA 8 - 8 - T8 AT	b	"	"	58	31	27	31	"	"	"	18
P - UTA T8 - 8 - T8 AT	d	"	"	54	27	"	"	"	"	"	"
P - UTA 10 - TW3 - 10 BT	a	10 x 8	9.53 x 6.33	79	39.5	39.5	33.5	21	8	23	15
P - UTA 10 - 10 - T10 AT	b	"	"	67	35.5	31.5	35.5	"	"	"	21
P - UTA 12 - TW4 - 12 BT	a	12 x 10	12.7 x 9.5	91	45.5	45.5	39.5	25	10	28	18
P - UTA 12 - 12 - T12 AT	b	"	12 x 10	79	41.5	37.5	41.5	"	"	"	25
P - UTA T12 - 12 - T12 AT	d	"	"	75	37.5	"	"	"	"	"	"
P - UTA 19 - T19 - 19 BT	a	19 x 15.8	19 x 15.8	114	57	57	49.6	31	16	38	27
P - UTA 19 - 19 - T19 BT	b	"	"	106.5	"	49.5	57	"	"	"	"
P - UTA 19 - T19 - T19 BT	c	"	"	"	"	"	49.6	"	"	"	"
P - UTA T19 - 19 - T19 AT	d	"	"	95.5	47.8	47.8	53	"	"	"	33.5
P - UTA 25 - TW8 - 25 BT	a	25 x 22	25.4 x 22.2	139	69.5	69.5	61.5	38	22	47.5	34
P - UTA 25 - 25 - TW8 BT	b	"	"	131	"	61.5	69.5	"	"	"	"
P - UTA 25 - T25 - T25 AT	c	"	25 x 22	127	64.5	62.5	62.5	"	"	"	43
P - UTA T25 - 25 - T25 AT	d	"	"	119	59.5	59.5	64.5	"	"	"	"

Inch connection											
Dimension: mm											
P - UTA W2 - TW2 - W2 BT	a	1/4" x 5/32"	1/4" x 5/32"	60	30	30	26.5	17	4	16	10
P - UTA W2 - W2 - TW2 AT	b	"	"	51	26.5	24.5	"	"	"	"	15
P - UTA TW2 - W2 - TW2 AT	d	"	"	49	24.5	"	"	"	"	"	"
P - UTA W3 - TW3 - W3 BT	a	3/8" x 1/4"	3/8" x 1/4"	79	39.5	39.5	33.5	21	8	23	15
P - UTA W3 - W3 - TW3 AT	b	"	"	67	35.5	31.5	35.5	"	"	"	21
P - UTA TW3 - W3 - TW3 AT	c	"	"	"	"	"	31.5	"	"	"	"
P - UTA TW3 - W3 - TW3 AT	d	"	"	63	31.5	"	36.5	"	"	"	"
P - UTA W4 - TW4 - W4 BT	a	1/2" x 3/8"	1/2" x 3/8"	91	45.5	45.5	39.5	25	10	28	18
P - UTA W4 - W4 - TW4 BT	b	"	"	85	"	39.5	45.5	"	"	"	"
P - UTA W4 - TW4 - TW4 AT	c	"	"	"	"	"	37.5	"	"	"	"
P - UTA TW4 - W4 - TW4 AT	d	"	"	75	37.5	37.5	41.5	"	9.5	"	25
P - UTA W6 - TW6 - W6 BT	a	3/4" x 5/8"	3/4" x 5/8"	114	57	57	49.6	31	16	38	27
P - UTA W6 - W6 - TW6 BT	b	"	"	106.5	"	49.6	57	"	"	"	"
P - UTA W6 - TW6 - TW6 BT	c	"	"	"	"	"	49.6	"	"	"	"
P - UTA TW6 - W6 - TW6 AT	d	"	"	95.5	47.8	47.8	53	"	"	"	33.5
P - UTA W8 - TW8 - W8 BT	a	1" x 7/8"	1" x 7/8"	139	69.5	69.5	61.5	38	22	47.5	34
P - UTA W8 - W8 - TW8 BT	b	"	"	131	"	61.5	69.5	"	"	"	"
P - UTA W8 - TW8 - TW8 AT	c	"	"	127	64.5	62.5	62.5	"	"	"	43
P - UTA TW8 - W8 - TW8 AT	d	"	"	119	59.5	59.5	64.5	"	"	"	"

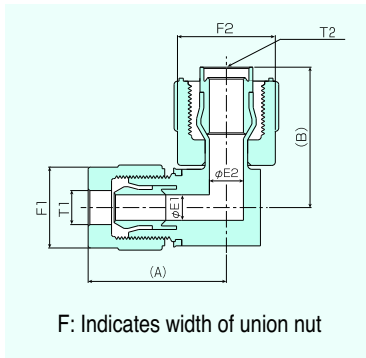
- [P-UTA W6-TW6-W6BT] = [P-UTA 19-T19-19BT] • [P-UTA W6-TW6-TW6BT] = [P-UTA 19-T19-T19BT]
- [P-UTA W6-W6-TW6BT] = [P-UTA 19-19-T19BT] • [P-UTA TW6-W6-TW6AT] = [P-UTA T19-19-T19AT]
- Custom designed fittings are available, please consult Pillar representative for custom products.
- All dimensions are for reference purpose only.
- "W" indicates bilateral dimension.

P-RUEA

REDUCING UNION ELBOW ADAPTOR

SPACE SAVER

Sleeve & Nut Set

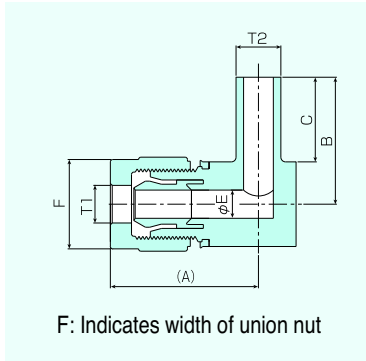


PART No.	Tube Size T1	Connectable Body Size T2	(A)	(B)	ØE1	ØE2	F1	F2	W
metric connection									
Dimension: mm									
P - RUEA 6 - T10 AS	6 x 4	10 , 3/8"	29.5	33.5	4	8	16	23	15
P - RUEA 6 - TW3 BS	"	"	33	38.5	"	6.33	"	"	"
P - RUEA 6 - TW4 BS	"	12 , 1/2"	35	44.5	"	9.5	"	28	18
P - RUEA 8 - T10 AS	8 x 6	10 , 3/8"	33.5	35	6	8	19	23	18
P - RUEA 8 - TW2 AS	"	6 , 1/4"	29	29	"	3.95	"	16	"
P - RUEA 8 - TW3 AS	"	10 , 3/8"	33.5	35	"	6.33	"	23	"
P - RUEA 10 - TW2 AS	10 x 8	6 , 1/4"	32.5	30.5	8	3.95	23	16	21
P - RUEA 10 - TW4 AS	"	12 , 1/2"	37.5	40.5	"	9.5	"	28	"
P - RUEA 10 - T19 AS	"	19 , 3/4"	42	48.5	"	15.8	"	38	26.5
P - RUEA 12 - T6 AS	12 x 10	6 , 1/4"	36.5	32.5	10	4	28	16	25
P - RUEA 12 - TW3 AS	"	10 , 3/8"	39.5	38.5	"	6.33	"	23	"
P - RUEA 12 - T19 BS	"	19 , 3/4"	49.5	56.5	"	15.8	"	38	27
P - RUEA 12 - TW8 AS	"	25 , 1"	50.5	57.5	"	22.2	"	47.5	30
P - RUEA 19 - TW8 BS	19 x 15.8	25 , 1"	62	68.5	16	22.2	38	47.5	34
P - RUEA 25 - T19 AS	25 x 22	19 , 3/4"	64.5	59.5	22	15.8	47.5	38	43

PART No.	Tube Size T1	Tube Size T2	(A)	B	C	ØE	F	W	
Inch connection									
Dimension: mm									
P - RUEA W2 - T10 AS	1/4" x 5/32"	10 , 3/8"	29.5	33.5	4	8	16	23	15
P - RUEA W2 - TW3 BS	"	"	33	38.5	"	6.33	"	"	"
P - RUEA W2 - TW4 BS	"	12 , 1/2"	35	44.5	"	9.5	"	28	18
P - RUEA W3 - TW2 AS	3/8" x 1/4"	6 , 1/4"	32.5	30.5	8	3.95	23	16	21
P - RUEA W3 - TW4 AS	"	12 , 1/2"	37.5	40.5	"	9.5	"	28	"
P - RUEA W3 - TW6 AS	"	19 , 3/4"	42	48.5	"	15.8	"	38	26.5
P - RUEA W3 - TW8 AS	"	25 , 1"	46.5	55.5	"	22.2	"	47.5	30
P - RUEA W4 - T6 AS	1/2" x 3/8"	6 , 1/4"	36.5	32.5	10	4	28	16	25
P - RUEA W4 - TW3 AS	"	10 , 3/8"	39.5	38.5	"	6.33	"	23	"
P - RUEA W4 - TW6 BS	"	19 , 3/4"	49.6	56.6	"	15.8	"	38	27
P - RUEA W4 - TW8 AS	"	25 , 1"	50.5	57.5	"	22.2	"	47.5	30
P - RUEA W6 - TW4 AS	3/4" x 5/8"	12 , 1/2"	48.5	47	16	9.5	38	28	33.5
P - RUEA W6 - TW8 BS	"	25 , 1"	62	68.5	"	22.2	"	47.5	34
P - RUEA W8 - TW6 AS	1" x 7/8"	19 , 3/4"	64.5	59.5	22	15.8	47.5	38	43

• [P-RUEA W6-TW8BS] = [P-RUEA 19-TW8BS]

Tube End Type



PART No.	Tube Size T1	Tube Size T2	(A)	B	C	ØE	F	W	
metric connection									
Dimension: mm									
P - RUEA 6 - T10 AT	6 x 4	10 x 8	29.5	28.5	21	4	16	15	
P - RUEA 6 - TW3 BT	"	9.53 x 6.33	33	33.5	"	"	"	"	
P - RUEA 6 - TW4 BT	"	12.7 x 9.5	35	39.5	25	"	"	18	
P - RUEA 8 - T10 AT	8 x 6	10 x 8	33.5	30	21	6	19	18	
P - RUEA 8 - TW2 AT	"	6.35 x 3.95	29	26	17	"	"	"	
P - RUEA 8 - TW3 AT	"	9.53 x 6.33	33.5	30	21	"	"	26.5	
P - RUEA 10 - TW2 AT	10 x 8	6.35 x 3.95	32.5	27.5	17	8	23	21	
P - RUEA 10 - TW4 AT	"	12.7 x 9.5	37.5	35.5	25	"	"	"	
P - RUEA 10 - T19 AT	"	19 x 15.8	42	41.5	31	"	"	"	
P - RUEA 12 - T6 AT	12 x 10	6 x 4	36.5	29.5	17	10	28	25	
P - RUEA 12 - TW3 AT	"	9.53 x 6.33	39.5	33.5	21	"	"	"	
P - RUEA 12 - T19 BT	"	19 x 15.8	49.5	49.6	31	"	"	27	
P - RUEA 12 - TW8 AT	"	25.4 x 22.2	50.5	50.5	38	"	"	30	
P - RUEA 19 - TW8 BT	19 x 15.8	25.4 x 22.2	62	61.5	38	16	38	34	
P - RUEA 25 - T19 AT	25 x 22	19 x 15.8	64.5	52.5	31	22	47.5	43	

PART No.	Tube Size T1	Tube Size T2	(A)	B	C	ØE	F	W	
Inch connection									
Dimension: mm									
P - RUEA W2 - T10 AT	1/4" x 5/32"	10 x 8	29.5	28.5	21	4	16	15	
P - RUEA W2 - TW3 BT	"	3/8" x 1/4"	33	33.5	"	"	"	"	
P - RUEA W2 - TW4 BT	"	1/2" x 3/8"	35	39.5	25	"	"	18	
P - RUEA W3 - TW2 AT	3/8" x 1/4"	1/4" x 5/32"	32.5	27.5	17	8	23	21	
P - RUEA W3 - TW4 AT	"	1/2" x 3/8"	37.5	35.5	25	"	"	"	
P - RUEA W3 - TW6 AT	"	3/4" x 5/8"	42	41.5	31	"	"	26.5	
P - RUEA W4 - T6 AT	1/2" x 3/8"	6 x 4	36.5	29.5	17	10	28	25	
P - RUEA W4 - TW3 AT	"	3/8" x 1/4"	39.5	33.5	21	"	"	"	
P - RUEA W4 - TW6 BT	"	3/4" x 5/8"	49.6	49.6	31	"	"	27	
P - RUEA W4 - TW8 AT	"	1" x 7/8"	50.5	50.5	38	"	"	30	
P - RUEA W6 - TW8 BT	3/4" x 5/8"	1" x 7/8"	62	61.5	38	16	38	34	
P - RUEA W8 - TW6 AT	1" x 7/8"	3/4" x 5/8"	64.5	52.5	31	22	47.5	43	

• [P-RUEA W6-TW8BT] = [P-RUEA 19-TW8BT]

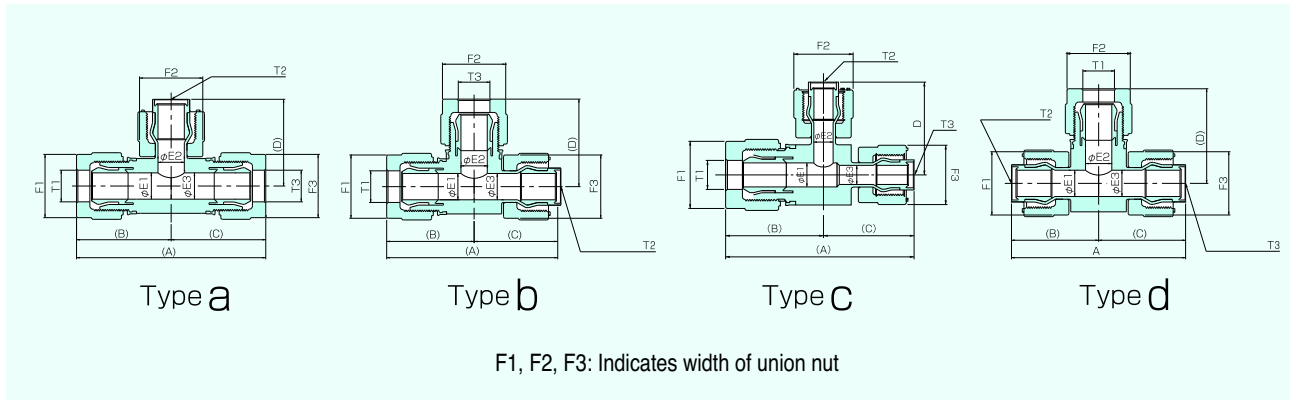
- Connectable Body Size T: All fittings are designed to connect with Pillar Super300 fitting made by Nippon Pillar only.
- Custom designed fittings are available, please consult Pillar representative for custom products.
- All dimensions are for reference purpose only. • "W" indicates bilateral dimension.

P-RUTA

REDUCING UNION TEE ADAPTOR

SPACE SAVER

Sleeve & Nut Set



PART No.	Type	Tube Size T1	Connectable Body Size T2	Tube Size T3	(A)	(B)	(C)	(D)	ØE1	ØE2	ØE3	F1	F2	F3	W			
Dimension: mm																		
metric conection																		
P - RUTA	6 -	T10 -	6 AS	a	6 x 4	10 , 3/8"	6 x 4	59	29.5	29.5	33.5	4	8	4	16	23	16	15
P - RUTA	8 -	T10 -	8 AS	a	8 x 6	10 , 3/8"	8 x 6	65	32.5	32.5	35	6	8	6	19	23	19	18
P - RUTA	T10 -	6 -	6 AS	b	6 x 4	10 , 3/8"	6 x 4	60	26.5	33.5	30.5	4	4	8	16	16	23	16
P - RUTA	T10 -	8 -	8 AS	b	8 x 6	"	8 x 6	66	31	35	33.5	6	6	"	19	19	"	18
P - RUTA	12 -	T10 -	12 AS	a	12 x 10	10 , 3/8"	12 x 10	81	40.5	40.5	38.5	10	8	10	28	23	28	25
P - RUTA	12 -	T19 -	12 AS	a	"	19 , 3/4"	"	92	46	46	50.5	"	15.8	"	"	38	"	34
P - RUTA	19 -	6 -	T19 AS	b	19 x 15.8	19 , 3/4"	6 x 4	89	43.5	45.5	36	16	4	15.8	38	16	38	33.5
P - RUTA	19 -	T10 -	19 AS	a	"	10 , 3/8"	19 x 15.8	95	47.5	47.5	43	"	8	16	"	23	"	"
P - RUTA	19 -	T12 -	19 AS	a	"	12 , 1/2"	"	97	48.5	48.5	47	"	10	"	"	28	"	"
P - RUTA	19 -	T19 -	6 AS	a	"	19 , 3/4"	6 x 4	88.5	53	36	55	"	15.8	4	"	38	16	"
P - RUTA	19 -	T19 -	12 AS	a	"	"	12 x 10	98.5	"	46	"	"	10	"	"	"	28	"
P - RUTA	19 -	T25 -	6 AS	a	"	25 , 1"	6 x 4	98	57.5	40.5	62	"	22	4	"	47.5	16	"
P - RUTA	19 -	T25 -	19 AS	a	"	"	19 x 15.8	115	"	57.5	"	"	"	16	"	"	38	"
P - RUTA	25 -	TW4 -	25 AS	a	25 x 22	12 , 1/2"	25 x 22	111	55.5	55.5	51.5	22	9.5	22	47.5	28	47.5	43
P - RUTA	25 -	T19 -	25 AS	a	"	19 , 3/4"	"	120	60	60	59.5	"	15.8	"	"	38	"	"
P - RUTA	25 -	19 -	TW8 AS	b	"	25 , 1"	19 x 15.8	121.5	"	62	57.5	"	16	22.2	"	"	"	"
Dimension: mm																		
Inch conection																		
P - RUTA	W2 -	TW3 -	W2 AS	a	1/4" x 5/32"	10 , 3/8"	1/4" x 5/32"	61	30.5	30.5	33.5	4	6.33	4	16	23	16	15
P - RUTA	W2 -	TW4 -	W2 AS	a	"	12 , 1/2"	"	63	31.5	31.5	37.5	"	9.5	"	"	28	"	20
P - RUTA	W2 -	W4 -	TW3 AS	b	"	10 , 3/8"	1/2" x 3/8"	70	"	38.5	40.5	"	10	6.33	"	"	23	25
P - RUTA	W3 -	TW2 -	W3 AS	a	3/8" x 1/4"	6 , 1/4"	3/8" x 1/4"	65	32.5	32.5	30.5	8	3.95	8	23	16	23	21
P - RUTA	W3 -	TW2 -	TW3 AS	c	"	"	10 , 3/8"	67	"	34.5	31.5	"	"	6.33	"	"	"	21
P - RUTA	W3 -	W2 -	TW2 AS	b	"	"	1/4" x 5/32"	60	"	27.5	"	"	4	3.95	"	"	16	"
P - RUTA	W3 -	W2 -	TW3 AS	b	"	10 , 3/8"	"	66	"	33.5	"	"	"	6.33	"	"	23	"
P - RUTA	W3 -	W3 -	TW2 AS	b	"	6 , 1/4"	3/8" x 1/4"	"	35.5	30.5	35.5	"	8	3.95	"	23	16	"
P - RUTA	W3 -	W4 -	TW4 AS	b	"	12 , 1/2"	1/2" x 3/8"	80	37.5	42.5	41.5	"	10	9.5	"	28	28	25
P - RUTA	TW3 -	W3 -	W2 AS	b	1/4" x 5/32"	10 , 3/8"	3/8" x 1/4"	66	29.5	36.5	36.5	4	8	6.33	16	23	23	21

(continued to the next page)

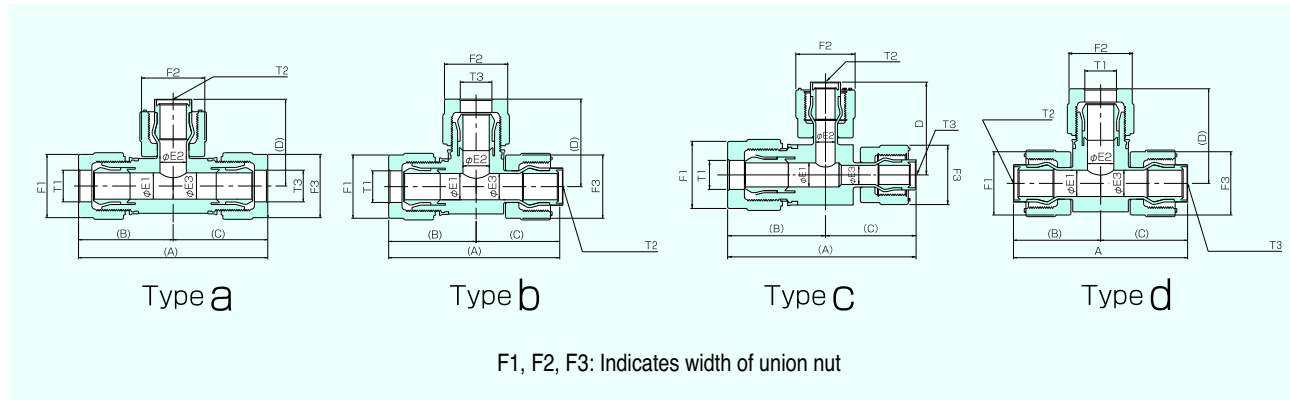
- Connectable Body Size T: All fittings are designed to connect with Pillar Super300 fitting made by Nippon Pillar only.
- Custom designed fittings are available, please consult Pillar representative for custom products.
- All dimensions are for reference purpose only.
- "W" indicates bilateral dimension.

P-RUTA

REDUCING UNION TEE ADAPTOR

SPACE SAVER

Sleeve & Nut Set



PART No.	Type	Tube Size T1	Connectable Body Size T2	Tube Size T3	(A)	(B)	(C)	(D)	ØE1	ØE2	ØE3	F1	F2	F3	W	
inch connection															Dimension: mm	
P - RUTA W4 - TW3 - W2 AS	a	1/2" x 3/8"	10 , 3/8"	1/4" x 5/32"	71	40.5	30.5	38.5	10	6.33	4	28	23	16	25	
P - RUTA W4 - TW3 - W3 AS	a	"	"	3/8" x 1/4"	77	"	36.5	"	"	"	8	"	"	23	"	
P - RUTA W4 - TW3 - TW3 AS	c	"	"	10 , 3/8"	78	"	37.5	"	"	6.33	"	"	"	"	"	
P - RUTA W4 - TW3 - W4 AS	a	"	"	1/2" x 3/8"	81	"	40.5	"	"	"	10	"	"	28	"	
P - RUTA W4 - TW6 - W4 AS	a	"	19 , 3/4"	"	92	46	46	50.5	"	15.8	"	"	38	"	34	
P - RUTA W4 - TW6 - TW6 AS	c	"	"	19 , 3/4"	106	48.5	57.5	"	"	15.8	"	"	"	38	25	
P - RUTA W4 - W3 - TW4 AS	b	"	12 , 1/2"	3/8" x 1/4"	80	39.5	40.5	37.5	"	8	9.5	"	23	28	"	
P - RUTA W4 - W3 - TW8 AS	b	"	25 , 1"	"	95	"	55.5	46.5	"	"	22.2	"	"	47.5	30	
P - RUTA W4 - W4 - TW2 AS	b	"	6 , 1/4"	1/2" x 3/8"	74	41.5	32.5	41.5	"	10	3.95	"	28	16	25	
P - RUTA TW4 - W3 - W3 AS	b	3/8" x 1/4"	12 , 1/2"	3/8" x 1/4"	76	35.5	40.5	37.5	8	8	9.5	23	23	28	21	
P - RUTA TW4 - W6 - TW4 AS	d	3/4" x 5/8"	"	12 , 1/2"	93.5	47	47	48.5	9.5	16	"	28	38	"	33.5	
P - RUTA W6 - W2 - TW6 AS	b	3/4" x 5/8"	19 , 3/4"	1/4" x 5/32"	89	43.5	45.5	36	16	4	15.8	38	16	38	33.5	
P - RUTA W6 - TW3 - W6 AS	a	"	10 , 3/8"	3/4" x 5/8"	95	47.5	47.5	43	"	6.33	16	"	23	"	"	
P - RUTA W6 - TW4 - W4 AS	a	"	12 , 1/2"	1/2" x 3/8"	90	48.5	41.5	47	"	9.5	10	"	28	28	"	
P - RUTA W6 - TW4 - W6 AS	a	"	"	3/4" x 5/8"	97	"	48.5	"	"	"	16	"	"	38	"	
P - RUTA W6 - TW6 - W2 AS	a	"	19 , 3/4"	1/4" x 5/32"	88.5	53	36	55	"	15.8	4	"	38	16	"	
P - RUTA W6 - TW6 - W4 AS	a	"	"	1/2" x 3/8"	98.5	"	47	"	"	"	10	"	"	28	"	
P - RUTA W6 - TW8 - W6 AS	a	"	25 , 1"	3/4" x 5/8"	115	57.5	57.5	61.8	16	22.2	16	"	47.5	38	"	
P - RUTA TW6 - W6 - TW4 AS	d	"	19 , 3/4"	12 , 1/2"	101.5	55	47	53	15.8	16	9.5	"	38	28	"	
P - RUTA W6 - W6 - TW8 AS	b	"	25 , 1"	3/4" x 5/8"	114.5	53	62	57.5	16	"	22.2	"	"	47.5	"	
P - RUTA TW6 - W8 - TW6 AS	d	1" x 7/8"	19 , 3/4"	19 , 3/4"	101	50.5	50.5	59.8	15.8	22	15.8	"	47.5	38	43	
P - RUTA W8 - TW3 - W8 AS	a	1" x 7/8"	10 , 3/8"	1" x 7/8"	107	53.5	53.5	47.5	22	6.33	22	47.5	23	47.5	43	
P - RUTA W8 - TW3 - TW4 AS	c	"	"	12 , 1/2"	96	54.5	41.5	"	"	"	9.5	"	"	28	"	
P - RUTA W8 - TW3 - TW8 AS	c	"	"	25 , 1"	111	"	56.5	"	"	"	22.2	"	"	47.5	"	
P - RUTA W8 - TW4 - W8 AS	a	"	12 , 1/2"	1" x 7/8"	"	55.5	55.5	51.5	"	9.5	22	"	28	"	"	
P - RUTA W8 - TW4 - TW8 AS	c	"	"	25 , 1"	115	"	59.5	54.5	"	"	22.2	"	"	"	"	
P - RUTA W8 - TW6 - W8 AS	a	"	19 , 3/4"	1" x 7/8"	120	60	60	59.5	"	15.8	"	"	38	"	"	
P - RUTA W8 - TW8 - W4 AS	a	"	25 , 1"	1/2" x 3/8"	115	64.5	50.5	66.5	"	22.2	10	"	47.5	28	"	
P - RUTA W8 - W3 - TW8 AS	b	"	"	3/8" x 1/4"	109	53.5	55.5	46.5	"	8	22.2	"	23	47.5	"	
P - RUTA W8 - W6 - TW8 AS	b	"	"	3/4" x 5/8"	121.5	60	62	57.5	"	16	"	"	38	"	"	
P - RUTA W8 - W8 - TW10 AS	b	"	32 , 1-1/4"	1" x 7/8"	146	64.5	81.5	75	"	22	28	"	"	62	"	
P - RUTA TW8 - W3 - TW4 AS	d	3/8" x 1/4"	25 , 1"	12 , 1/2"	96	55.5	40.5	46.5	22.2	8	9.5	"	23	28	30	
P - RUTA TW8 - W6 - TW8 AS	d	3/4" x 5/8"	"	25 , 1"	123.5	61.8	61.8	57.5	"	16	22.2	"	38	47.5	33.5	

(Continued from the previous page)

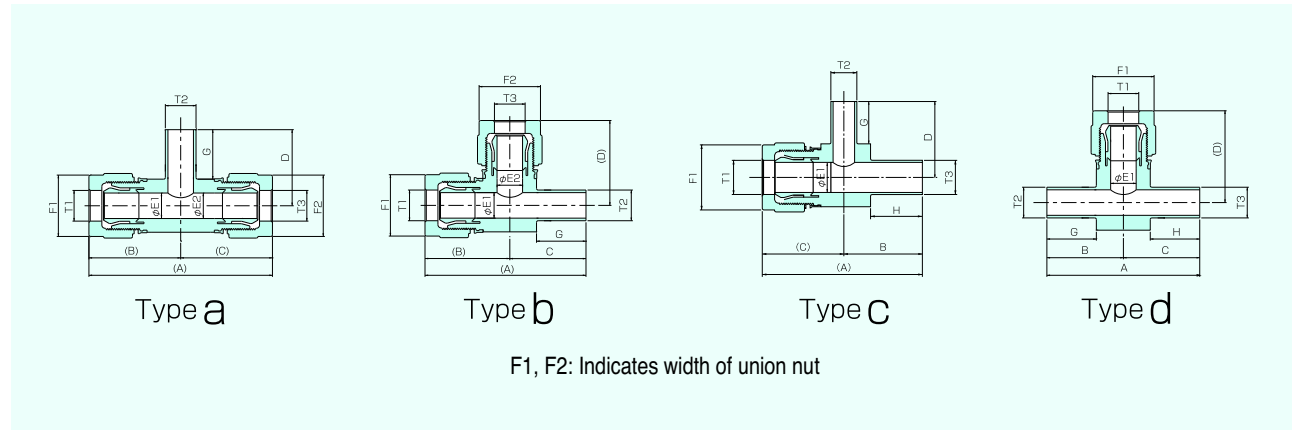
- Connectable Body Size T: All fittings are designed to connect with Pillar Super300 fitting made by Nippon Pillar only.
- Custom designed fittings are available, please consult Pillar representative for custom products.
- All dimensions are for reference purpose only.
- "W" indicates bilateral dimension.

P-RUTA

REDUCING UNION TEE ADAPTOR

SPACE SAVER

Tube End Type



PART No.	Type	Tube Size T1	Tube Size T2	Tube Size T3	(A)	(B)	(C)	(D)	G	H	ØE1	ØE2	F1	F2	W
metric conection															
Dimension: mm															
P - RUTA 6 - T10 - 6 AT	a	6 x 4	10 x 8	6 x 4	59	29.5	29.5	28.5	21	—	4	4	16	16	15
P - RUTA 8 - T10 - 8 AT	a	8 x 6	10 x 8	8 x 6	65	32.5	32.5	30	21	—	6	6	19	19	18
P - RUTA T10 - 6 - 6 AT	b	6 x 4	10 x 8	6 x 4	55	26.5	28.5	30.5	21	—	4	4	16	16	16
P - RUTA T10 - 8 - 8 AT	b	8 x 6	"	8 x 6	61	31	30	33.5	"	—	6	6	19	19	18
P - RUTA 12 - T10 - 12 AT	a	12 x 10	"	12 x 10	81	40.5	40.5	33.5	21	—	10	10	28	28	25
P - RUTA 12 - T19 - 12 AT	a	"	19 x 15.8	"	92	46	46	43.5	31	—	"	"	"	"	34
P - RUTA 19 - 6 - T19 AT	b	19 x 15.8	19 x 15.8	6 x 4	82	43.5	38.5	36	31	—	16	4	38	16	33.5
P - RUTA 19 - T10 - 19 AT	a	"	10 x 8	19 x 15.8	95	47.5	47.5	37.8	21	—	"	16	"	38	"
P - RUTA 19 - T12 - 19 AT	a	"	12 x 10	"	97	48.5	48.5	41.8	25	—	"	"	"	"	"
P - RUTA 19 - T19 - 6 AT	a	"	19 x 15.8	6 x 4	88.5	53	36	47.8	"	—	"	4	"	16	"
P - RUTA 19 - T19 - 12 AT	a	"	"	12 x 10	98.5	"	46	"	"	—	"	10	"	28	"
P - RUTA 19 - T25 - 6 AT	a	"	25 x 22	6 x 4	98	57.5	40.5	54.8	38	—	"	4	"	16	"
P - RUTA 19 - T25 - 19 AT	a	"	"	19 x 15.8	115	"	57.5	"	"	—	"	16	"	38	"
P - RUTA 25 - TW4 - 25 AT	a	25 x 22	12.7 x 9.5	25 x 22	111	55.5	55.5	46.5	25	—	22	22	47.5	47.5	43
P - RUTA 25 - T19 - 25 AT	a	"	19 x 15.8	"	120	60	60	52.5	31	—	"	"	"	"	"
P - RUTA 25 - 19 - TW8 AT	b	"	25.4 x 22.2	19 x 15.8	114.5	60	54.8	57.5	38	—	"	16	"	38	"
Inch conection															
Dimension: mm															
P - RUTA W2 - TW4 - W2 AT	a	1/4" x 5/32"	1/2" x 3/8"	1/4" x 5/32"	63	31.5	31.5	32.5	25	—	4	4	16	16	20
P - RUTA TW3 - W3 - W2 AT	b	1/4" x 5/32"	3/8" x 1/4"	3/8" x 1/4"	61	29.5	31.5	36.5	21	—	4	8	16	23	21
P - RUTA W4 - TW2 - W4 AT	a	1/2" x 3/8"	1/4" x 5/32"	1/2" x 3/8"	73	36.5	36.5	29.5	17	—	10	10	28	28	25
P - RUTA W4 - TW3 - W3 AT	a	"	3/8" x 1/4"	3/8" x 1/4"	77	40.5	36.5	33.5	21	—	"	8	"	23	"
P - RUTA W4 - TW3 - W4 AT	a	"	"	1/2" x 3/8"	81	"	40.5	"	"	—	"	10	"	28	"
P - RUTA W4 - TW6 - W4 AT	a	"	3/4" x 5/8"	"	92	46	46	43.5	31	—	"	"	"	"	34
P - RUTA TW4 - W6 - TW4 AT	d	3/4" x 5/8"	1/2" x 3/8"	"	83.5	41.8	41.8	48.5	25	25	16	—	38	—	33.5
P - RUTA W6 - W2 - TW6 AT	a	3/4" x 5/8"	3/4" x 5/8"	1/4" x 5/32"	82	43.5	38.5	36	31	—	16	4	38	16	33.5
P - RUTA W6 - TW3 - W6 AT	a	"	3/8" x 1/4"	3/4" x 5/8"	95	47.5	47.5	37.8	21	—	"	16	"	38	"
P - RUTA W6 - TW4 - W4 AT	a	"	1/2" x 3/8"	1/2" x 3/8"	90	48.5	41.5	41.8	25	—	"	10	"	28	"
P - RUTA W6 - TW4 - W6 AT	a	"	"	3/4" x 5/8"	97	"	48.5	"	"	—	"	16	"	38	"
P - RUTA W6 - TW6 - W2 AT	a	"	3/4" x 5/8"	1/4" x 5/32"	88.5	53	36	47.8	31	—	"	6	"	16	"
P - RUTA W6 - TW6 - W4 AT	a	"	"	1/2" x 3/8"	98.5	"	46	"	"	—	"	10	"	28	"
P - RUTA TW6 - W6 - TW4 AT	d	"	"	"	89.5	47.8	41.8	53	"	25	"	—	"	—	"
P - RUTA W6 - W6 - TW8 AT	b	"	1" x 7/8"	3/4" x 5/8"	107.5	53	54.8	57.5	38	—	"	16	"	38	"
P - RUTA W8 - TW3 - W8 AT	a	1" x 7/8"	3/8" x 1/4"	1" x 7/8"	107	53.5	53.5	42.5	21	—	22	22	47.5	47.5	43
P - RUTA W8 - TW4 - W8 AT	a	"	1/2" x 3/8"	"	111	55.5	55.5	46.5	25	—	"	"	"	"	"
P - RUTA W8 - TW6 - W8 AT	a	"	"	"	120	60	60	52.5	31	—	"	22	"	47.5	"
P - RUTA W8 - W6 - TW8 AT	b	"	1" x 7/8"	3/4" x 5/8"	114.5	"	54.8	57.5	38	—	"	16	"	38	"

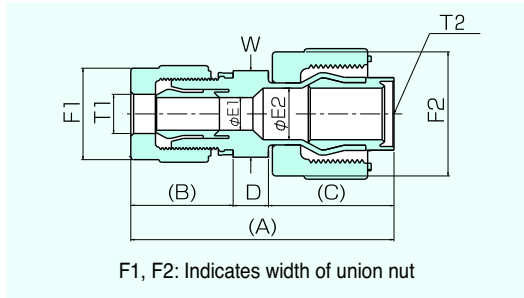
- Custom designed fittings are available, please consult Pillar representative for custom products.
- All dimensions are for reference purpose only.
- "W" indicates bilateral dimension.

P-RUA

REDUCING UNION ADAPTOR

SPACE SAVER

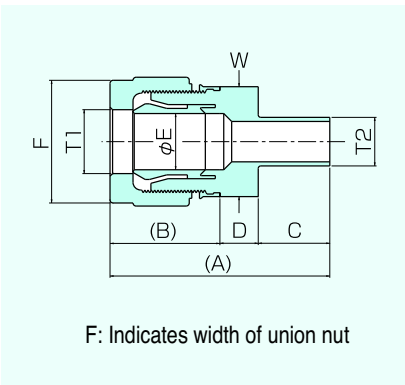
Sleeve & Nut Set



PART No.	Tube Size T1	Connectable Body Size T2	(A)	(B)	(C)	D	ØE1	ØE2	F1	F2	W		
metric connection												Dimension: mm	
P - RUA 8 - T10 AS	8 x 6	10 , 3/8"	55	22	26	7	6	8	19	23	18		
P - RUA 10 - TW2 AS	10 x 8	6 , 1/4"	52	25	20	7	8	3.95	23	16	21		
P - RUA 10 - T19 AS	"	19 , 3/4"	73	"	38	10	"	15.8	"	38	26.5		
P - RUA 12 - T19 AS	12 x 10	19 , 3/4"	77	29	38	10	10	15.8	28	38	26.5		
P - RUA 19 - TW8 BS	19 x 15.8	25 , 1"	91	36	45	10	16	22.2	38	47.5	33.5		
P - RUA 25 - T19 AS	25 x 22	19 , 3/4"	96	43	38	15	22	15.8	47.5	38	43		
Inch connection												Dimension: mm	
* P - RUA W2 - TW1 AS	1/4" x 5/32"	3 , 1/8"	38	19	12	7	4	2.18	16	12	15		
P - RUA W2 - TW4 AS	"	12 , 1/2"	56	"	30	"	"	9.5	"	28	20		
P - RUA W2 - TW8 AS	"	25 , 1"	74	"	45	10	"	22.2	"	47.5	30		
P - RUA W3 - TW2 AS	3/8" x 1/4"	6 , 1/4"	52	25	20	7	8	3.95	23	16	21		
P - RUA W3 - TW6 AS	"	19 , 3/4"	73	"	38	10	"	15.8	"	38	26.5		
P - RUA W3 - TW8 AS	"	25 , 1"	80	"	45	"	"	22.2	"	47.5	30		
P - RUA W4 - TW6 AS	1/2" x 3/8"	19 , 3/4"	77	29	38	10	10	15.8	28	38	26.5		
P - RUA W4 - TW8 AS	"	25 , 1"	89	"	45	15	"	22.2	"	47.5	30		
P - RUA W6 - TW3 AS	3/4" x 5/8"	10 , 3/8"	72	36	26	10	16	6.33	38	23	33.5		
P - RUA W6 - TW4 AS	"	12 , 1/2"	76	"	30	"	"	9.5	"	28	"		
P - RUA W6 - TW8 BS	"	25 , 1"	91	"	45	"	"	22.2	"	47.5	"		
P - RUA W8 - TW6 AS	1" x 7/8"	19 , 3/4"	96	43	38	15	22	15.8	47.5	38	43		

• [P-RUA W6-TW8BS] = [P-RUA 19-TW8BS]

Tube End Type



PART No.	Tube Size T1	Tube Size T2	(A)	(B)	C	D	ØE	F	W		
metric connection										Dimension: mm	
P - RUA 8 - T10 AT	8 x 6	10 x 8	50	22	21	7	6	19	18		
P - RUA 10 - TW2 AT	10 x 8	6.35 x 3.95	49	25	17	7	8	23	21		
P - RUA 10 - T19 AT	"	19 x 15.8	66	"	31	10	"	"	26.5		
P - RUA 12 - T19 AT	12 x 10	19 x 15.8	70	29	31	10	10	28	26.5		
P - RUA 19 - TW8 BT	19 x 15.8	25.4 x 22.2	84	36	38	10	16	38	33.5		
P - RUA 25 - T19 AT	25 x 22	19 x 15.8	89	43	31	15	22	47.5	43		
Inch connection										Dimension: mm	
* P - RUA W1 - TW2 AT	1/8" x 0.086"	1/4" x 5/32"	39	15	17	7	2.1	12	10		
P - RUA W2 - TW8 AT	1/4" x 5/32"	1" x 7/8"	67	19	38	10	4	16	30		
P - RUA W3 - TW2 AT	3/8" x 1/4"	1/4" x 5/32"	49	25	17	7	8	23	21		
P - RUA W3 - TW6 AT	"	3/4" x 5/8"	66	"	31	10	"	"	26.5		
P - RUA W4 - TW6 AT	1/2" x 3/8"	3/4" x 5/8"	70	29	31	10	10	28	26.5		
P - RUA W4 - TW8 AT	"	1" x 7/8"	82	"	38	15	"	"	30		
P - RUA W6 - TW3 AT	3/4" x 5/8"	3/8" x 1/4"	67	36	21	10	16	38	33.5		
P - RUA W6 - TW4 AT	"	1/2" x 3/8"	71	"	25	"	"	"	"		
P - RUA W6 - TW8 BT	"	1" x 7/8"	84	"	38	"	"	"	"		
P - RUA W8 - TW6 AT	1" x 7/8"	3/4" x 5/8"	89	43	31	15	22	47.5	43		

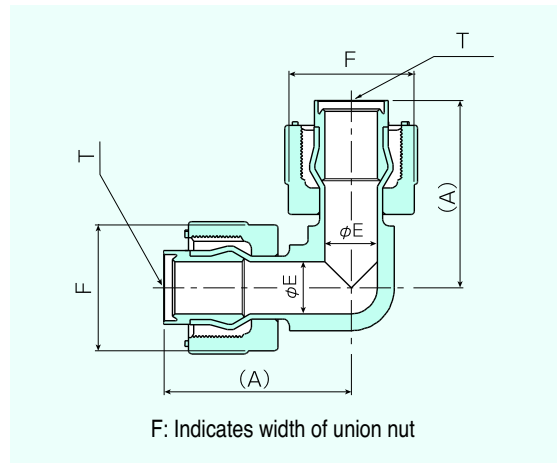
• [P-RUA W6-TW8BT] = [P-RUA 19-TW8BT]

- Connectable BodySizeT: All fittings are designed to connect with Pillar Super300 fitting made by Nippon Pillar only.
- Custom designed fittings are available, please consult Pillar representative for custom products.
- All dimensions are for reference purpose only.
- "W" indicates bilateral dimension. * * mark item: please refer to page 4.

P-EA

ELBOW ADAPTOR

SPACE SAVER



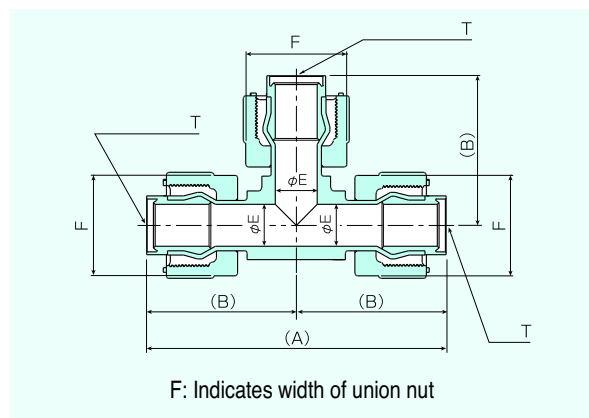
PART No.	Connectable Body Size T	(A)	ØE	F	W
inch tube type Dimension: mm					
P - EA - TW2 BS	6 , 1/4"	29.5	3.95	16	10
P - EA - TW3 BS	10 , 3/8"	38.5	6.33	23	15
P - EA - TW4 BS	12 , 1/2"	44.5	9.5	28	18
P - EA - TW6 BS	19 , 3/4"	56.5	15.8	38	27
P - EA - TW8 BS	25 , 1"	68.5	22.2	47.5	34

• [P-EA-TW6BS] = [P-EA-T19BS]

P-TA

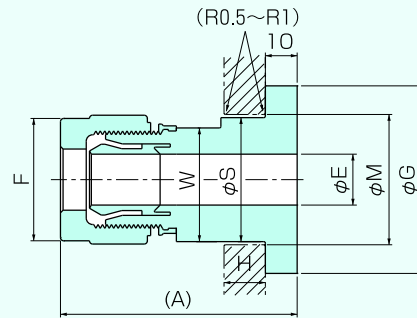
TEE ADAPTOR

SPACE SAVER



PART No.	Connectable Body Size T	(A)	(B)	ØE	F	W
inch connection Dimension: mm						
P - TA - TW2 BS	6 , 1/4"	59	29.5	3.95	16	10
P - TA - TW3 BS	10 , 3/8"	77	38.5	6.33	23	15
P - TA - TW4 BS	12 , 1/2"	89	44.5	9.5	28	18
P - TA - TW6 BS	19 , 3/4"	113	56.5	15.8	38	27
P - TA - TW8 BS	25 , 1"	137	68.5	22.2	47.5	34

- [P-TA-TW6BS] = [P-TA-T19BS]
- Connectable BodySizeT: All fittings are designed to connect with Pillar Super300 fitting made by Nippon Pillar only.
- Custom designed fittings are available, please consult Pillar representative for custom products.
- All dimensions are for reference purpose only.
- "W" indicates bilateral dimension.

P-UF**UNION FLANGE**

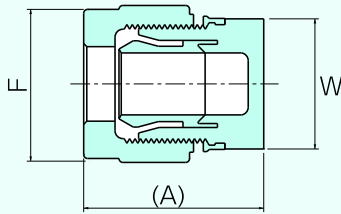
F: Indicates width of union nut

PART No.	Tube Size	Flange Size JIS 10K	(A)	ØE	ØG	ØS	F	W	ØM	H
metric connection Dimension: mm										
P - UF - 6 A - 15 A	6 x 4	10 K - 15 A	50	4	54	18	16	15	20	12
P - UF - 6 A - 20 A	"	10 K - 20 A	"	"	"	"	"	"	"	14
P - UF - 10 B - 15 A	10 x 8	10 K - 15 A	58	8	54	23.5	23	21	25.5	12
P - UF - 10 B - 20 A	"	10 K - 20 A	"	"	"	"	"	"	"	14
P - UF - 10 B - 25 A	"	10 K - 25 A	"	"	70	"	"	"	"	"
P - UF - 10 B - 32 A	"	10 K - 32 A	"	"	"	"	"	"	"	16
P - UF - 12 B - 15 A	12 x 10	10 K - 15 A	62	10	54	28.5	28	25	30.5	12
P - UF - 12 B - 20 A	"	10 K - 20 A	"	"	"	"	"	"	"	14
P - UF - 12 B - 25 A	"	10 K - 25 A	"	"	70	"	"	"	"	"
P - UF - 12 B - 32 A	"	10 K - 32 A	"	"	"	"	"	"	"	16
P - UF - 19 B - 15 A	19 x 15.8	10 K - 15 A	74	16	54	39	38	33.5	41	12
P - UF - 19 B - 20 A	"	10 K - 20 A	"	"	"	"	"	"	"	14
P - UF - 19 B - 25 A	"	10 K - 25 A	"	"	70	"	"	"	"	"
P - UF - 19 B - 32 A	"	10 K - 32 A	"	"	"	"	"	"	"	16
P - UF - 19 A - 40 A	"	10 K - 40 A	76	"	85	"	"	32.5	"	"
P - UF - 25 A - 20 A	25 x 22	10 K - 20 A	89	22	59	46	47.5	42.5	48	14
P - UF - 25 B - 25 A	"	10 K - 25 A	"	"	70	51	"	43	53	"
P - UF - 25 B - 32 A	"	10 K - 32 A	"	"	"	"	"	"	"	16
Inch connection Dimension: mm										
P - UF - W2 A - 15 A	1/4" x 5/32"	10 K - 15 A	50	4	54	18	16	15	20	12
P - UF - W2 A - 20 A	"	10 K - 20 A	"	"	"	"	"	"	"	14
P - UF - W3 B - 15 A	3/8" x 1/4"	10 K - 15 A	58	8	54	23.5	23	21	25.5	12
P - UF - W3 B - 20 A	"	10 K - 20 A	"	"	"	"	"	"	"	14
P - UF - W3 B - 25 A	"	10 K - 25 A	"	"	70	"	"	"	"	"
P - UF - W3 B - 32 A	"	10 K - 32 A	"	"	"	"	"	"	"	16
P - UF - W4 B - 15 A	1/2" x 3/8"	10 K - 15 A	62	10	54	28.5	28	25	30.5	12
P - UF - W4 B - 20 A	"	10 K - 20 A	"	"	"	"	"	"	"	14
P - UF - W4 B - 25 A	"	10 K - 25 A	"	"	70	"	"	"	"	"
P - UF - W4 B - 32 A	"	10 K - 32 A	"	"	"	"	"	"	"	16
P - UF - W6 B - 15 A	3/4" x 5/8"	10 K - 15 A	74	16	54	39	38	33.5	41	12
P - UF - W6 B - 20 A	"	10 K - 20 A	"	"	"	"	"	"	"	14
P - UF - W6 B - 25 A	"	10 K - 25 A	"	"	70	"	"	"	"	"
P - UF - W6 B - 32 A	"	10 K - 32 A	"	"	"	"	"	"	"	16
P - UF - W6 A - 40 A	"	10 K - 40 A	76	"	85	"	"	32.5	"	"
P - UF - W8 A - 20 A	1" x 7/8"	10 K - 20 A	89	22	59	46	47.5	42.5	48	14
P - UF - W8 B - 25 A	"	10 K - 25 A	"	"	70	51	"	43	53	"
P - UF - W8 B - 32 A	"	10 K - 32 A	"	"	"	"	"	"	"	16

- [P-UF-W6B-15A] = [P-UF-19B-15A] • [P-UF-W6B-32A] = [P-UF-19B-32A]
- [P-UF-W6B-20A] = [P-UF-19B-20A] • [P-UF-W6A-40A] = [P-UF-19A-40A]
- [P-UF-W6B-25A] = [P-UF-19B-25A]
- [P-UF-XX-15A] = [P-UF-XX-20A] • [P-UF-XX-25A] = [P-UF-XX-32A]
- Custom designed fittings are available, please consult Pillar representative for custom products.
- All dimensions are for reference purpose only.
- JIS10K Flange is not available.

P-CP

CAP



F: Indicates width of union nut

- All dimensions are for reference purpose only.
- *mark items : Please refer to page 4

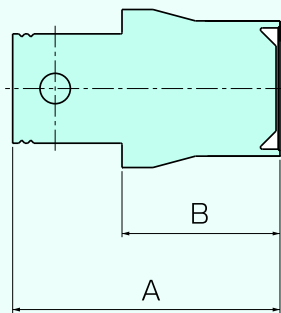
PART No.	Tube Size	(A)	F	W
metric connection Dimension: mm				
* P - CP - 3 B	3 x 2	22	12	12
* P - CP - 4 B	4 x 3	21.5	12	12
P - CP - 6 B	6 x 4	26	16	15
P - CP - 8 B	8 x 6	29	19	18
P - CP - 10 B	10 x 8	32	23	21
P - CP - 12 B	12 x 10	36	28	25
P - CP - 19 B	19 x 15.8	46	38	33.5
P - CP - 25 B	25 x 22	58	47.5	43

PART No.	Tube Size	(A)	F	W
Inch connection Dimension: mm				
* P - CP - W1B	1/8" x 0.086"	22	12	12
P - CP - W2 B	1/4" x 5/32"	26	16	15
P - CP - W3 B	3/8" x 1/4"	32	23	21
P - CP - W4 B	1/2" x 3/8"	36	28	25
P - CP - W6 B	3/4" x 5/8"	46	38	33.5
P - CP - W8 B	1" x 7/8"	58	47.5	43

• [P-CP-W6B]= [P-CP-19B]

P-CS

CAP SLEEVE



- All dimensions are for reference purpose only.
- *mark items : Please refer to page 4
- 10pcs per pack.

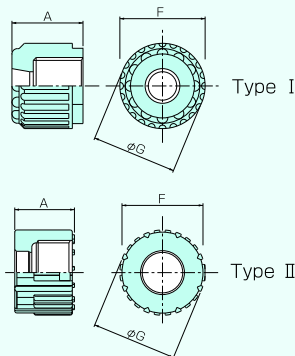
PART No.	Tube Size	A	B
mm connection Dimension: mm			
* P - CS - 3 A	3 x 2	11	8.5
* P - CS - 4 A	4 x 3	13	10.5
P - CS - 6 A	6 x 4	23.5	13
P - CS - 8 A	8 x 6	26.5	15.5
P - CS - 10 A	10 x 8	31	17
P - CS - 12 A	12 x 10	38	21
P - CS - 19 A	19 x 15.8	44	26
P - CS - 25 A	25 x 22	51.5	32

PART No.	Tube Size	A	B
Inch connection Dimension: mm			
* P - CS - W1 A	1/8" x 0.086"	11	8.5
P - CS - W2 A	1/4" x 5/32"	23.5	13
P - CS - W3 A	3/8" x 1/4"	31	17
P - CS - W4 A	1/2" x 3/8"	38	21
P - CS - W6 A	3/4" x 5/8"	44	26
P - CS - W8 A	1" x 7/8"	51.5	32

• [P-CS-W1A]= [P-CS-3A] • [P-CS-W4A]= [P-CS-12A]
 • [P-CS-W2A]= [P-CS-6A] • [P-CS-W6A]= [P-CS-19A]
 • [P-CS-W3A]= [P-CS-10A] • [P-CS-W8A]= [P-CS-25A]

P-UN

UNION NUT



F: Indicates width of union nut

- All dimensions are for reference purpose only.
- *mark items : Please refer to page 4
- 10 pcs per pack.

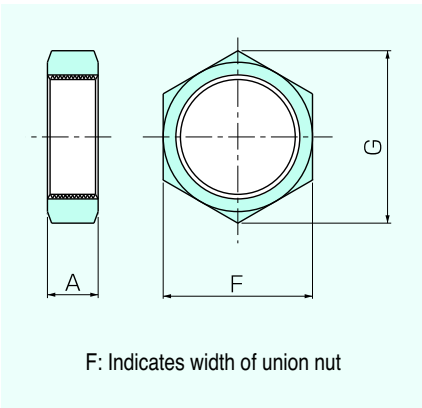
PART No.	Tube Size	A	F	ØG	Type
metric connection Dimension: mm					
* P - UN - 3 B	3 x 2	10	12	12	I
* P - UN - 4 B	4 x 3	10	12	12	I
P - UN - 6 B	6 x 4	16	16	17	II
P - UN - 8 B	8 x 6	18	19	20	II
P - UN - 10 B	10 x 8	20.5	23	25	II
P - UN - 12 B	12 x 10	22.7	28	30	II
P - UN - 19 B	19 x 15.8	28	38	40	II
P - UN - 25 B	25 x 22	32	47.5	50.5	II

PART No.	Tube Size	A	F	ØG	Type
Inch connection Dimension: mm					
* P - UN - W1 B	1/8" x 0.086"	10	12	12	I
P - UN - W2 B	1/4" x 5/32"	16	16	17	II
P - UN - W3 B	3/8" x 1/4"	20.5	23	25	II
P - UN - W4 B	1/2" x 3/8"	22.7	28	30	II
P - UN - W6 B	3/4" x 5/8"	28	38	40	II
P - UN - W8 B	1" x 7/8"	32	47.5	50.5	II

• [P-UN-W6B]= [P-UN-19B]

P-HN

HALF NUT



- All dimensions are for reference purpose only.
- *mark items : Please refer to page 4
- 10 pcs per pack.

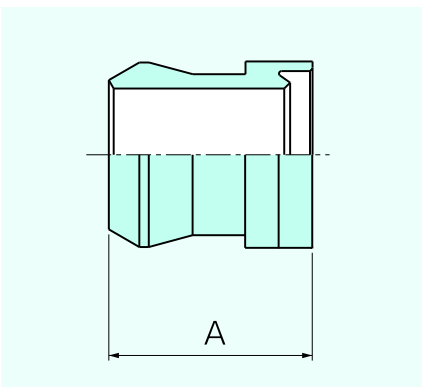
PART No.	Tube Size	A	F	G
metric connection Dimension: mm				
* P - HN - 3 B	3 x 2	5	14	16.2
* P - HN - 4 B	4 x 3	5	14	16.2
P - HN - 6 B	6 x 4	5	16	18.5
P - HN - 8 B	8 x 6	7	19	21.9
P - HN - 10 B	10 x 8	7	21.5	24.8
P - HN - 12 B	12 x 10	9	26.5	30.6
P - HN - 19 B	19 x 15.8	9	38	43.9
P - HN - 25 B	25 x 22	10	45	52

PART No.	Tube Size	A	F	G
Inch connection Dimension: mm				
* P - HN - W1 B	1/8" x 0.086"	5	14	16.2
P - HN - W2 B	1/4" x 5/32"	5	16	18.5
P - HN - W3 B	3/8" x 1/4"	7	21.5	24.8
P - HN - W4 B	1/2" x 3/8"	9	26.5	30.6
P - HN - W6 B	3/4" x 5/8"	9	38	43.9
P - HN - W8 B	1" x 7/8"	10	45	52

- [P-HN-W1B]= [P-HN-3B] • [P-HN-W3B]= [P-HN-10B]
- [P-HN-W6B]= [P-HN-19B] • [P-HN-W2B]= [P-HN-6B]
- [P-HN-W4B]= [P-HN-12B] • [P-HN-W8B]= [P-HN-25B]

P-S

SLEEVE



- All dimensions are for reference purpose only.
- *mark items : Please refer to page 4
- 10 pcs per pack.

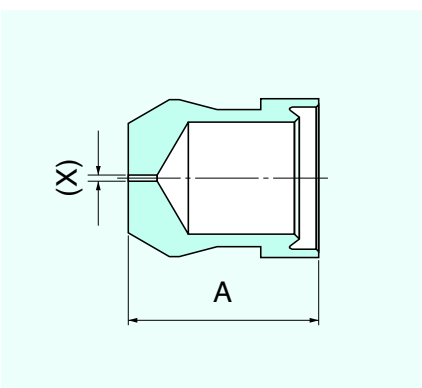
PART No.	Tube Size	A
metric connection Dimension: mm		
* P - S - 3 B	3 x 2	7.2
* P - S - 4 B	4 x 3	9.3
P - S - 6 B	6 x 4	12.5
P - S - 8 B	8 x 6	14
P - S - 10 B	10 x 8	15.8
P - S - 12 B	12 x 10	20.2
P - S - 19 B	19 x 15.8	24.3
P - S - 25 B	25 x 22	31

PART No.	Tube Size	A
Inch connection Dimension: mm		
* P - S - W1 B	1/8" x 0.086"	7.1
P - S - W2 B	1/4" x 5/32"	12.4
P - S - W3 B	3/8" x 1/4"	15.7
P - S - W4 B	1/2" x 3/8"	20
P - S - W6 B	3/4" x 5/8"	24.3
P - S - W8 B	1" x 7/8"	31

- [P-S-W6B]= [P-S-19B]
- [P-S-W8B]= [P-S-25B]

P-S

SLEEVE (Orifice)

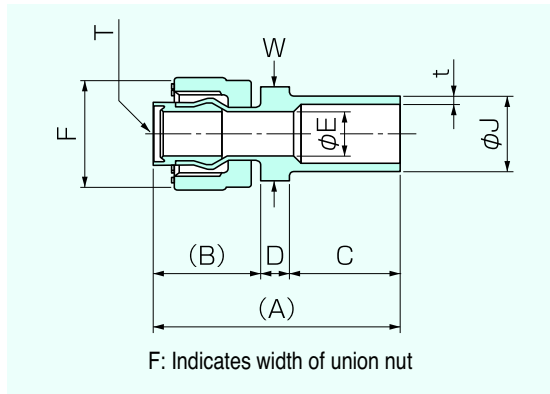


PART No.	Tube Size	A
inch connection Dimension: mm		
* P - S - W1 SA x	1/8" x 0.086"	8.2
P - S - W2 SA x	1/4" x 5/32"	13.5
P - S - W3 SA x	3/8" x 1/4"	17
P - S - W4 SA x	1/2" x 3/8"	21.1
P - S - W6 SA x	3/4" x 5/8"	26.4
P - S - W8 SA x	1" x 7/8"	33.2

- * mark item: please refer to page 4.
- Special sleeve holders are required for the insertion of orifice sleeves.
- Consult your pillar representative for other sizes of orifice sleeves which are available upon request.
- How to order form = P-S-W1 SA x
Ex : P-S-W1 SA0.3 (0.3= orifice size)

P-PBA

PURE BOND ADAPTOR (with weldable pipe end)

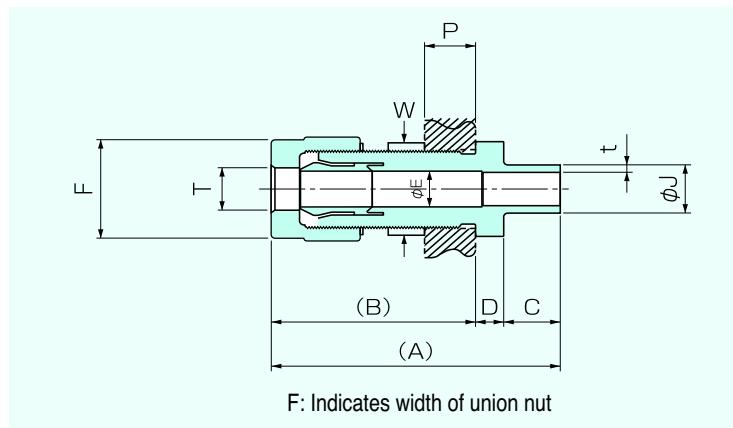


PART No.	Connectable Body Size T	(A)	(B)	C	D	ØE	F	ØJ	t	W
Dimension: mm										
P - PBA TW2 -PB1/4 SBS	6 , 1/4"	41	20	14	7	3.95	16	13.7	2.2	18
P - PBA TW2 -PB1/2 SBS	"	66	"	39	"	"	"	21.3	2.8	25
P - PBA TW2 -PB3/4 SBS	"	69	"	"	10	"	"	26.7	2.9	33.5
P - PBA TW4 -PB1/2 SBS	12 , 1/2"	76	30	39	7	9.5	28	21.3	2.8	25
P - PBA TW4 -PB3/4 SBS	"	79	"	"	10	"	"	26.7	2.9	33.5
P - PBA T19 -PB3/4 SBS	19 , 3/4"	87	38	39	10	15.8	38	26.7	2.9	33.5
P - PBA TW8 -PB3/4 SBS	25 , 1"	99	45	39	15	22.2	47.5	26.7	2.9	43
P - PBA TW8 -PB 1 SBS	"	"	"	"	"	"	"	33.4	3.4	"

- [P-PBA-TW6-PB-3/4SBS] = [P-PBA-T19-PB-3/4SBS]
- Custom designed fittings are available, please consult Pillar representative for custom products.
- Connectable BodySizeT: All fittings are designed to connect with Pillar Super300 fitting made by Nippon Pillar only.
- All dimensions are for reference purpose only.

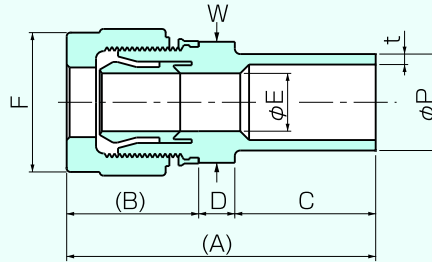
P-PMUA

PANEL MOUNT UNION ADAPTOR (with weldable pipe end)



PART No.	Tube Size T	(A)	(B)	C	D	F	ØJ	t	MAX P	ØE	W
Dimension: mm											
P - PMUA W2 - PB1/4 SB	1/4" x 5/32"	52	31	14	7	16	13.7	2.2	7	4	16
P - PMUA W4 - PB1/4 SB	1/2" x 3/8"	66	45	14	7	28	13.7	2.2	7	10	27
P - PMUA W6 - PB1/2 SB	3/4" x 5/8"	101	52	39	10	38	21.3	2.8	7	16	38
P - PMUA W8 - PB3/4 SB	1" x 7/8"	119	65	39	15	47.5	26.7	2.9	10	22	46

- [P-PMUA W6-PB1/2SB] = [P-PMUA 19-PB1/2SB]
- Custom designed fittings are available, please consult Pillar representative for custom products.
- All dimensions are for reference purpose only.

P-UA**UNION ADAPTOR (with weldable pipe end)**

F: Indicates width of union nut

PART No.	Tube Size T	(A)	(B)	C	D	ØE	F	ØP	t	W
metric connection										
Dimension: mm										
P - UA 6 - PB 1/4 SB	6 x 4	40	19	14	7	4	16	13.7	2.2	18
P - UA 6 - PB 3/4 SB	"	68	"	39	10	"	"	26.7	2.9	33.5
P - UA 8 - PB 1/2 SB	8 x 6	68	22	39	7	6	19	21.3	2.8	24
P - UA 8 - PB 3/4 SB	"	"	"	"	"	"	"	26.7	2.9	30
P - UA 10 - PB 1/4 SB	10 x 8	46	25	14	7	8	23	13.7	2.2	21
P - UA 10 - PB 1/2 B	"	71	"	39	"	"	"	21.3	2.8	25
P - UA 10 - PB 3/4 B	"	74	"	"	10	"	"	26.7	2.9	33.5
P - UA 12 - PB 1/2 B	12 x 10	75	29	39	7	10	28	21.3	2.8	25
P - UA 12 - PB 3/4 B	"	78	"	"	10	"	"	26.7	2.9	33.5
P - UA 12 - PB 1 SB	"	"	"	"	"	"	"	33.4	3.4	36
P - UA 19 - PB 1/2 B	19 x 15.8	85	36	39	10	16	38	21.3	2.8	33.5
P - UA 19 - PB 3/4 B	"	"	"	"	"	"	"	26.7	2.9	"
P - UA 19 - PB 1 B	"	90	"	"	15	"	"	33.4	3.4	43
P - UA 25 - PB 3/4 B	25 x 22	97	43	39	15	22	47.5	26.7	2.9	43
P - UA 25 - PB 1 B	"	"	"	"	"	"	"	33.4	3.4	"

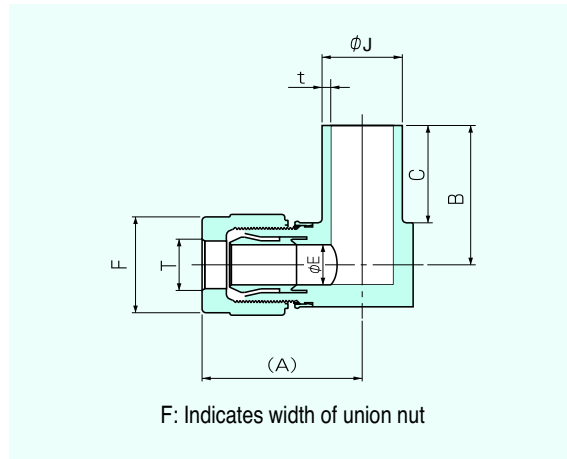
Inch connection										
Dimension: mm										
P - UA W2 - PB 1/4 SB	1/4" x 5/32"	40	19	14	7	4	16	13.7	2.2	18
P - UA W2 - PB 3/4 SB	"	68	"	39	10	"	"	26.7	2.9	33.5
P - UA W3 - PB 1/4 SB	3/8" x 1/4"	46	25	14	7	8	23	13.7	2.2	21
P - UA W3 - PB 1/2 B	"	71	"	39	"	"	"	21.3	2.8	25
P - UA W3 - PB 3/4 B	"	74	"	"	10	"	"	26.7	2.9	33.5
P - UA W4 - PB 1/2 B	1/2" x 3/8"	75	29	39	7	10	28	21.3	2.8	25
P - UA W4 - PB 3/4 B	"	78	"	"	10	"	"	26.7	2.9	33.5
P - UA W4 - PB 1 SB	"	"	"	"	"	"	"	33.4	3.4	36
P - UA W6 - PB 1/2 B	3/4" x 5/8"	85	36	39	10	16	38	21.3	2.8	33.5
P - UA W6 - PB 3/4 B	"	"	"	"	"	"	"	26.7	2.9	"
P - UA W6 - PB 1 B	"	90	"	"	15	"	"	33.4	3.4	43
P - UA W8 - PB 3/4 B	1" x 7/8"	97	43	39	15	22	47.5	26.7	2.9	43
P - UA W8 - PB 1 B	"	"	"	"	"	"	"	33.4	3.4	"
P - UA W8 - PB 2 SB	"	"	"	"	"	"	"	60.3	3.9	65

- [P-UA W6-PB1/2B] = [P-UA 19-PB1/2B]
- [P-UA W6-PB3/4B] = [P-UA 19-PB3/4B]
- [P-UA W6-PB1B] = [P-UA 19-PB1B]
- Custom designed fittings are available, please consult Pillar representative for custom products.
- All dimensions are for reference purpose only.

P-UEA

UNION ELBOW ADAPTOR (with weldable pipe end)

SPACE SAVER



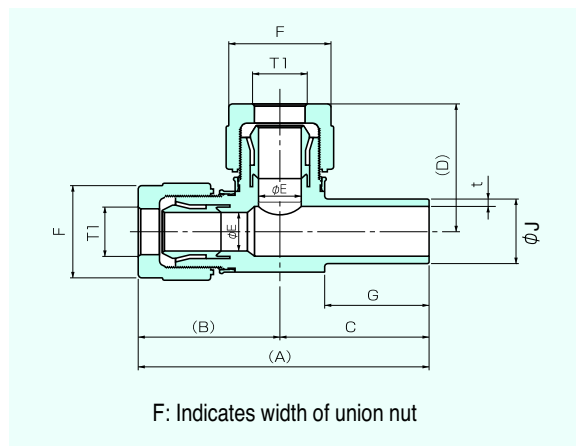
PART No.	Tube Size T	(A)	B	C	ØE	F	ØJ	t	W
inch connection									
Dimension: mm									
P - UEA W2 - PB 1/4 SB	1/4" x 5/32"	28	21.5	14	4	16	13.7	2.2	18
P - UEA W4 - PB 1/2 SB	1/2" x 3/8"	41.5	51.5	39	10	28	21.3	2.8	25
P - UEA W4 - PB 3/4 SB	"	44	"	"	"	"	26.7	2.9	30
P - UEA W6 - PB 3/4 SB	3/4" x 5/8"	53	55.8	39	16	38	26.7	2.9	33.5
P - UEA W8 - PB 3/4 SB	1" x 7/8"	60	60.5	39	22	47.5	26.7	2.9	43
P - UEA W8 - PB 1 SB	"	64.5	"	"	"	"	33.4	3.4	"

- [P-UEA W6-PB3/4B] = [P-UEA 19-PB3/4B]
- Custom designed fittings are available, please consult Pillar representative for custom products.
- All dimensions are for reference purpose only.
- "W" indicates bilateral dimension

P-UTA

UNION TEE ADAPTOR (with weldable pipe end)

SPACE SAVER

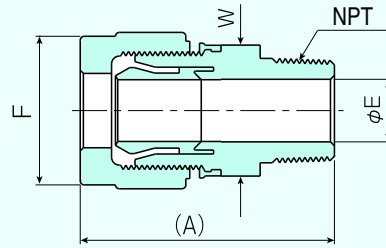


PART No.	Tube Size T1	(A)	(B)	C	(D)	G	ØE	F	ØJ	t	W
metric connection											
Dimension: mm											
P - UTA W4 - W4 - PB 1/4 SB	1/2" x 3/8"	68	41.5	26.5	41.5	14	10	28	13.7	2.2	25
P - UTA W6 - W6 - PB 1/4 SB	3/4" x 5/8"	83.5	53	30.75	53	14	16	38	13.7	2.2	33.5
P - UTA W6 - W6 - PB 3/4 SB	"	108.5	"	56	"	39	"	"	26.7	2.9	33.5

- [P-UTA W6-W6-PB3/4B] = [P-UTA 19-19-PB3/4B]
- [P-UTA PB3/4-W6-PB3/4B] = [P-UTA PB3/4-19-PB3/4B]
- Custom designed fittings are available, please consult Pillar representative for custom products.
- All dimensions are for reference purpose only.
- "W" indicates bilateral dimension

P-MC

MALE CONNECTOR



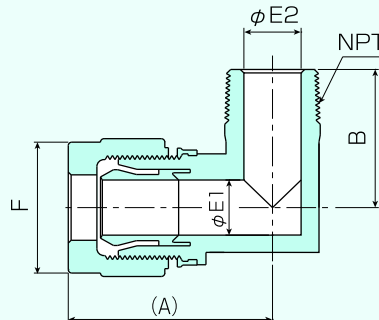
F: Indicates width of union nut

	PART No.	Tube Size	Thread Size	(A)	ØE	F	W	
inch connection (NPT)								Dimension: mm
1-1/4"	P - MC W10 - N6A	1-1/4" x 1-1/10"	NPT 3/4"	101	16	62	56	
	P - MC W10 - N8A	"	NPT 1"	105	22.2	"	"	
	P - MC W10 - N10A	"	NPT 1-1/4"	108.5	28	"	"	
	P - MC W10 - N12A	"	NPT 1-1/2"	"	"	"	"	
1-1/2"	P - MC W12 - N6A	1-1/2" x 1-21/64"	NPT 3/4"	107	16	69	62	
	P - MC W12 - N8A	"	NPT 1"	111	22.2	"	"	
	P - MC W12 - N10A	"	NPT 1-1/4"	114.5	28	"	"	
	P - MC W12 - N12A	"	NPT 1-1/2"	"	33.7	"	"	

- Custom designed fittings are available, please consult Pillar representative for custom products.
- All dimensions are for reference purpose only.

P-ME

MALE ELBOW



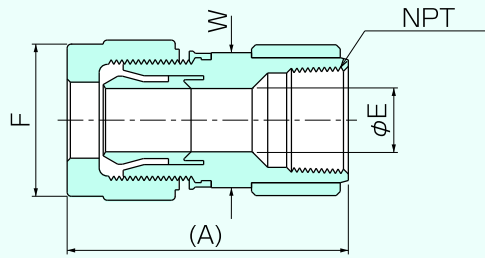
F: Indicates width of union nut

	PART No.	Tube Size	Thread Size	(A)	B	ØE1	ØE2	F	W
inch connection (NPT)									
Dimension: mm									
1-1/4"	P - ME W10 - N 6A	1-1/4" x 1-1/10"	NPT 3/4"	76	49.7	28	16	62	56
	P - ME W10 - N 8A	"	NPT 1"	79.5	52.5	"	22.2	"	"
	P - ME W10 - N 10A	"	NPT 1-1/4"	84	56.5	"	28	"	"
	P - ME W10 - N 12A	"	NPT 1-1/2"	87	"	"	"	"	"
1-1/2"	P - ME W12 - N 6A	1-1/2" x 1-21/64"	NPT 3/4"	76	53.2	33.7	16	69	62
	P - ME W12 - N 8A	"	NPT 1"	79.5	56	"	22.2	"	"
	P - ME W12 - N 10A	"	NPT 1-1/4"	84	60	"	28	"	"
	P - ME W12 - N12A	"	NPT 1-1/2"	87	"	"	33.7	"	"

- Custom designed fittings are available, please consult Pillar representative for custom products.
- All dimensions are for reference purpose only.
- "W" indicates bilateral dimension

P-FC

FEMALE CONNECTOR



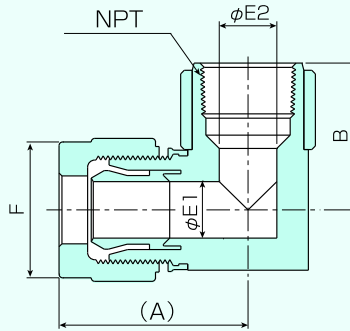
F: Indicates width of union nut

	PART No.	Tube Size	Thread Size	(A)	ØE	F	W		
inch connection (NPT)								Dimension: mm	
1-1/4"	P - FC W10 - N6A	1-1/4" x 1-1/10"	NPT 3/4"	106	23.4	62	56		
	P - FC W10 - N8A	"	NPT 1"	108	28	"	"		
	P - FC W10 - N10A	"	NPT 1-1/4"	110	"	"	"		
	P - FC W10 - N12A	"	NPT 1-1/2"	"	"	"	62		
1-1/2"	P - FC W12 - N6A	1-1/2" x 1-21/64"	NPT 3/4"	112	23.4	69	62		
	P - FC W12 - N8A	"	NPT 1"	114	29.2	"	"		
	P - FC W12 - N10A	"	NPT 1-1/4"	116	33.7	"	"		
	P - FC W12 - N12A	"	NPT 1-1/2"	"	"	"	"		

- Custom designed fittings are available, please consult Pillar representative for custom products.
- All dimensions are for reference purpose only.
- "W" indicates bilateral dimension

P-FE

FEMALE ELBOW



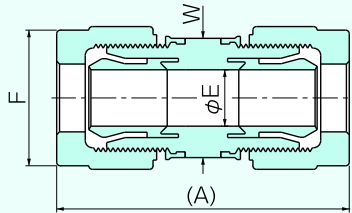
F: Indicates width of union nut

	PART No.	Tube Size	Thread Size	(A)	B	ØE1	ØE2	F	W
inch connection (NPT)									
Dimension: mm									
1-1/4"	P - FE W10 - N6A	1-1/4" x 1-1/10"	NPT 3/4"	79	52	28	23.4	62	56
	P - FE W10 - N8A	"	NPT 1"	84	54	"	29.2	"	"
	P - FE W10 - N10A	"	NPT 1-1/4"	90	56	"	35.9	"	"
	P - FE W10 - N12A	"	NPT 1-1/2"	93	"	"	42.1	"	62
1-1/2"	P - FE W12 - N6A	1-1/2" x 1-21/64"	NPT 3/4"	79	55	33.7	23.4	69	62
	P - FE W12 - N8A	"	NPT 1"	84	57	"	29.2	"	"
	P - FE W12 - N10A	"	NPT 1-1/4"	90	59	"	35.9	"	"
	P - FE W12 - N12A	"	NPT 1-1/2"	93	"	"	42.1	"	"

- Custom designed fittings are available, please consult Pillar representative for custom products.
- All dimensions are for reference purpose only.
- "W" indicates bilateral dimension

P-U

UNION



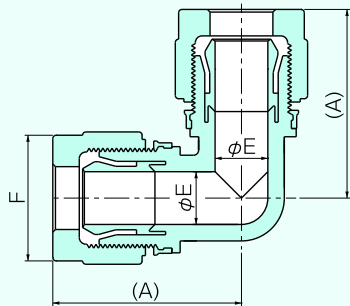
F: Indicates width of union nut

	PART No.	Tube Size	(A)	ØE	F	W
inch connection						
Dimension: mm						
1-1/4"	P - U - W10B	1-1/4" x 1-1/10"	154	28	62	40
1-1/2"	P - U - W12B	1-1/2" x 1-21/64"	168	33.7	69	48

- Custom designed fittings are available please consult Pillar representative for custom products.
- All dimensions are for reference purpose only.

P-UE

UNION ELBOW



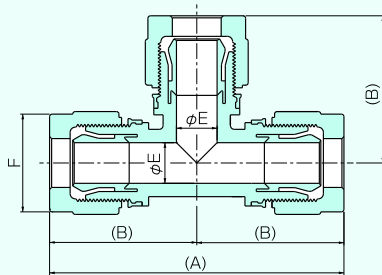
F: Indicates width of union nut

	PART No.	Tube Size	(A)	ØE	F	W
inch connection						
Dimension: mm						
1-1/4"	P - UE - W10B	1-1/4" x 1-1/10"	99	28	62	41
1-1/2"	P - UE - W12B	1-1/2" x 1-21/64"	106	33.7	69	48.7

- Custom designed fittings are available please consult Pillar representative for custom products.
- All dimensions are for reference purpose only.
- "W" indicates bilateral dimension

P-UT

UNION TEE



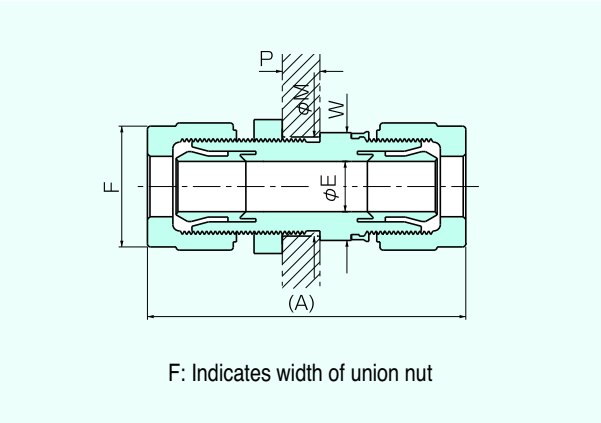
F: Indicates width of union nut

	PART No.	Tube Size	(A)	(B)	ØE	F	W
inch connection							
Dimension: mm							
1-1/4"	P - UT - W10B	1-1/4" x 1-1/10"	198	99	28	62	41
1-1/2"	P - UT - W12B	1-1/2" x 1-21/64"	212	106	33.7	69	48.7

- Custom designed fittings are available, please consult Pillar representative for custom products.
- All dimensions are for reference purpose only.
- "W" indicates bilateral dimension

P-PMU

PANEL MOUNT UNION

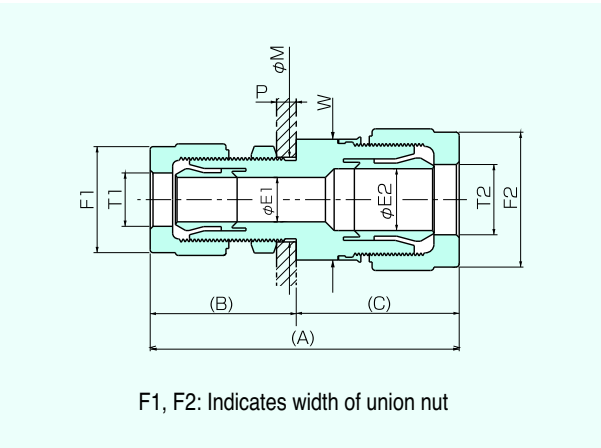


	PART No.	Tube Size	(A)	ØE	F	MAX P	ØM	W	
inch connection								Dimension: mm	
1-1/4"	P - PMU - W10A	1-1/4" x 1-1/10"	174	28	62	15	53	64	

- Custom designed fittings are available, please consult Pillar representative for custom products.
- All dimensions are for reference purpose only.

P-PMRU

PANEL MOUNT REDUCING UNION

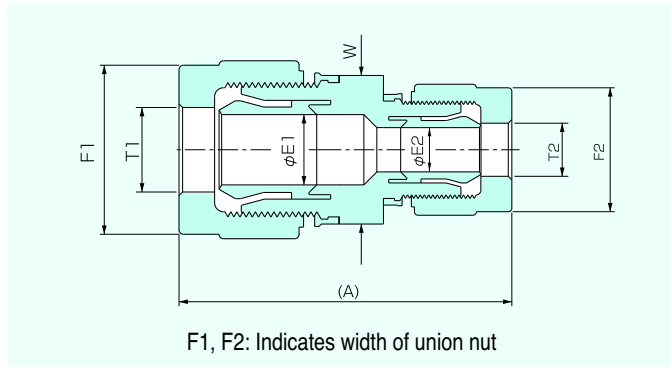


	PART No.	Tube Size T1	Tube Size T2	(A)	(B)	(C)	ØE1	ØE2	F1	F2	MAX P	ØM	W
inch connection												Dimension: mm	
1-1/4"	P - RMRU W10 - W6A	1-1/4" x 1-1/10"	3/4" x 5/8"	148	92	56	28	16	62	38	15	53	64
	P - RMRU W10 - W8A	"	1" x 7/8"	155	"	63	"	22	"	47.5	"	"	"

- Custom designed fittings are available, please consult Pillar representative for custom products.
- All dimensions are for reference purpose only.

P-RU

REDUCING UNION

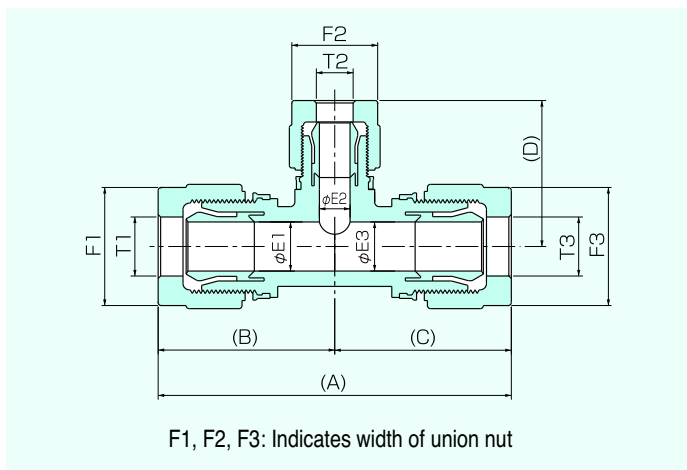


	PART No.	Tube Size T1	Tube Size T2	(A)	ØE1	ØE2	F1	F2	W	
inch connection							Dimension: mm			
1-1/4"	P - RU W10 - 25A	1-1/4" x 1-1/10"	25 x 22	125	28	22	62	48	56	
1-1/2"	P - RU W12 - 25A	1-1/2" x 1-21/64"	25 x 22	131	33.7	22	69	48	62	

- Custom designed fittings are available, please consult Pillar representative for custom products.
- All dimensions are for reference purpose only.

P-RUT

REDUCING UNION TEE

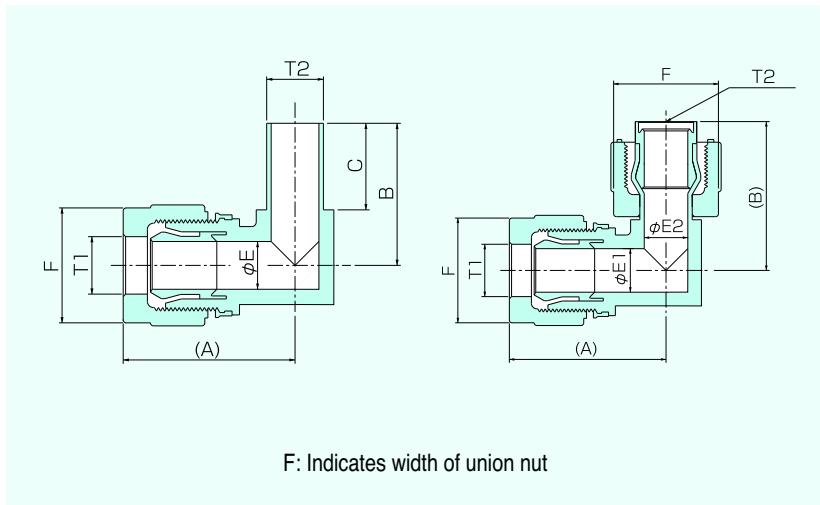


	PART No.	Tube Size T1	Tube Size T2	Tube Size T3	(A)	(B)	(C)	(D)	ØE1	ØE2	ØE3	F1	F2	F3	W
inch connection															mension: mm
1-1/4"	P - RUT W10 - 25 - W10A	1-1/4" x 1-1/10"	25 x 22	1-1/4" x 1-1/10"	180	90	90	71	28	22	28	62	47.5	62	56
	P - RUT W10 - W2 - W10A	"	1/4" x 5/32"	"	144	72	72	47	"	4	"	"	16	"	"
	P - RUT W10 - W3 - W10A	"	3/8" x 1/4"	"	145	72.5	72.5	53	"	8	"	"	23	"	"
	P - RUT W10 - W4 - W10A	"	1/2" x 3/8"	"	149	74.5	74.5	57	"	10	"	"	28	"	"
	P - RUT W10 - W6 - W10A	"	3/4" x 5/8"	"	157.5	79	79	64	"	16	"	"	38	"	"
1-1/2"	P - RUT W10 - W8 - W10A	"	1" x 7/8"	"	180	90	90	71	"	22	"	"	47.5	"	"
	P - RUT W12 - 25 - W12A	1-1/2" x 1-21/64"	25 x 22	1-1/2" x 1-21/64"	188	94	94	75	33.7	22	33.7	69	48	69	62
	P - RUT W12 - W2 - W12A	"	1/4" x 5/32"	"	150	75	75	50	"	4	"	"	16	"	"
	P - RUT W12 - W3 - W12A	"	3/8" x 1/4"	"	"	"	"	56	"	8	"	"	23	"	"
	P - RUT W12 - W4 - W12A	"	1/2" x 3/8"	"	"	"	"	60	"	10	"	"	28	"	"
	P - RUT W12 - W6 - W12A	"	3/4" x 5/8"	"	157.5	79	79	67	"	16	"	"	38	"	"
	P - RUT W12 - W8 - W12A	"	1" x 7/8"	"	167	83.5	83.5	74	"	22	"	"	47.5	"	"
	P - RUT W12 - W10 - W12A	"	1-1/4" x 1-1/10"	"	180	90	90	93	"	28	"	"	62	"	"

- Custom designed fittings are available, please consult Pillar representative for custom products.
- All dimensions are for reference purpose only.
- "W" indicates bilateral dimension

P-UEA

UNION ELBOW ADAPTOR



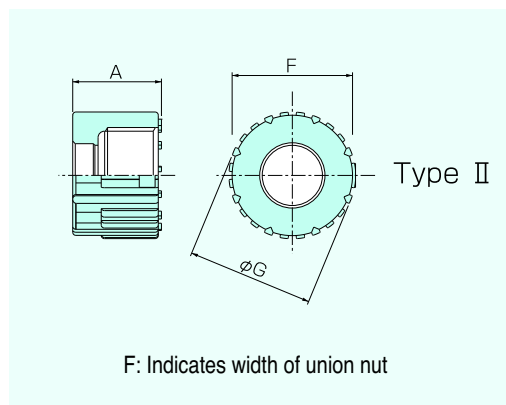
	PART No.	Tube Size T1	Connectable Body Size T2	(A)	(B)	ØE1	ØE2	F	W
inch connection									
Dimension: mm									
1-1/4"	P - UEA W10 - TW10 AS	1-1/4" x 1-1/10"	32 , 1-1/4"	94	88	28	28	62	56
1-1/2"	P - UEA W12 - TW12 AS	1-1/2" x 1-21/64"	38 , 1-1/2"	98.5	96	33.7	33.7	69	62

	PART No.	Tube Size T1	Tube Size T2	(A)	B	C	ØE	F	W
inch connection									
Dimension: mm									
1-1/4"	P - UEA W10 - TW10 AT	1-1/4" x 1-1/10"	1-1/4" x 1-1/10"	94	82	54	28	62	56
1-1/2"	P - UEA W12 - TW12 AT	1-1/2" x 1-21/64"	1-1/2" x 1-21/64"	98.5	89	58	33.7	69	62

- Connectable Body Size T: All fittings are designed to connect with Pillar Super300 fitting made by Nippon Pillar only.
- Custom designed fittings are available, please consult Pillar representative for custom products.
- All dimensions are for reference purpose only.
- "W" indicates bilateral dimension

P-UN

UNION UNT

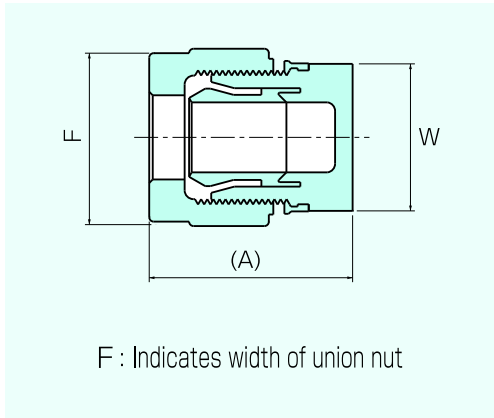


	PART No.	Tube Size	A	F	ØG
inch connection					
Dimension: mm					
1-1/4"	P - UN - W10B	1-1/4" x 1-1/10"	50	62	66
1-1/2"	P - UN - W12B	1-1/2" x 1-21/64"	50	69	73

- All dimensions are for reference purpose only.

P-CP

CAP

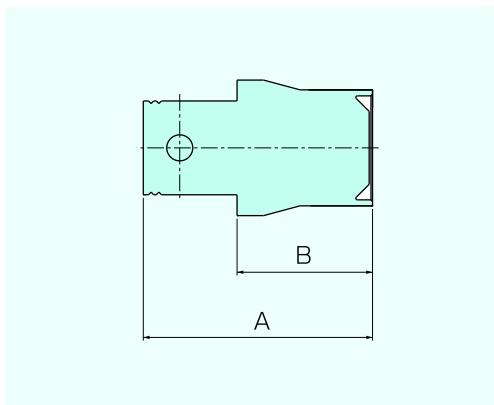


	PART No.	Tube Size	(A)	F	W
inch connection					
Dimension: mm					
1-1/4"	P - CP - W10A	1-1/4" x 1-1/10"	82	62	56
1-1/2"	P - CP - W12A	1-1/2" x 1-21/64"	88	69	62

• All dimensions are for reference purpose only.

P-CS

CAP SLEEVE

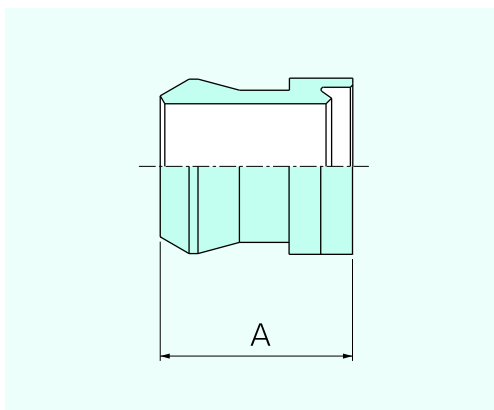


	PART No.	Tube Size	A	B
inch connection				
Dimension: mm				
1-1/4"	P - CS - W10A	1-1/4" x 1-1/10"	59	39
1-1/2"	P - CS - W12A	1-1/2" x 1-21/64"	64	44

• All dimensions are for reference purpose only.
• "W" indicates bilateral dimension

P-S

SLEEVE



	PART No.	Tube Size	A
inch connection			
Dimension: mm			
1-1/4"	P - S - W10B	1-1/4" x 1-1/10"	38.5
1-1/2"	P - S - W12B	1-1/2" x 1-21/64"	42.5

• All dimensions are for reference purpose only.



Super 300 Type Pillar Fitting®

Nippon Pillar, the market leader in the Asian fitting market, brings its patented Super 300 Type Pillar fitting® (S-300 fitting) to the World. This fitting was based on input from users and equipment manufacturers, and includes all of the benefits the market wants - no retightening, small size, low particle counts, low torque and no heat required for assembly.

Unique Low-Torque Design

A PFA sleeve inserts into the tube, making a one-piece assembly that effectively eliminates the tube as the primary seal. The sleeve design seals with low torque, which means that hand tight, the S-300 fitting will stay sealed, even in high temperatures, temperature fluctuations or high vibration.

Know It's Tight, Even With Your Eyes Closed

You know it's properly torqued, every time. The unique "gauge ring" gives an audible "click" that you can feel as you tighten the nut. It also prevents overtightening. You can be 100% sure this fitting's tight and made up properly, even if you can't see it! No need to retighten the S-300 fitting, even in high temperature or high vibration.

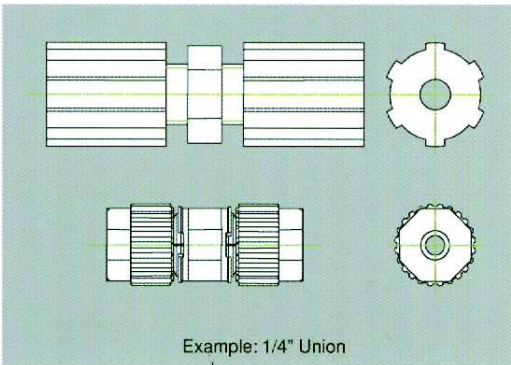
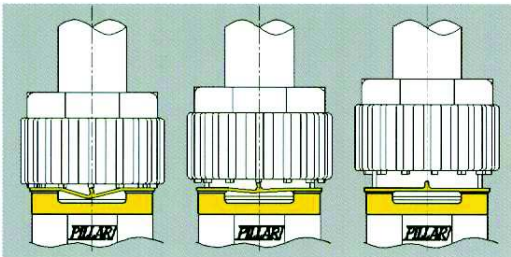
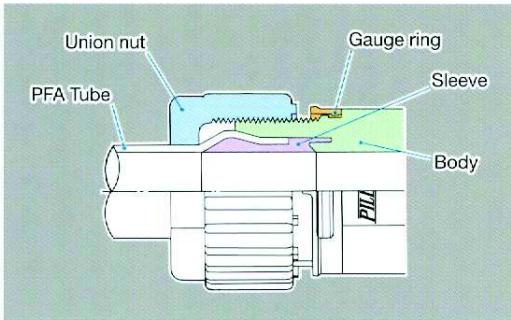
Compact Design

The S-300 fitting was designed to save space. Its low torque and insert design means smaller cross-sections and therefore less space in your tool. The knurled nut allows easy tightening, by hand or with the simple Pillar wrench – small, plastic and easy to fit in small spaces.

The S-300 fitting is available in all of your popular configurations: Space-saving, teflon weld to tube, quartz tube to PFA tube, all English and Metric sizes. There's even an adapter fitting from flare to the S-300 fitting, for those applications where your existing equipment has flare-type fittings.

... and remember, this fitting can be inserted and tightened, in the palm of your hand, with no heat at all.

Call PILLAR today for an end to your fitting headaches.



NIPPON PILLAR PACKING CO., LTD.

Head Office : 11-48, Nonakaminami 2 Chome, Yodogawa-ku, Osaka, 532-0022 Japan.
Tel : 81-(0)6-6305-2821 Fax : 81-(0)6-6302-3300
E-mail : info@pillar.co.jp

Tokyo Office : 2-2, Uchisaiwaicho 2 Chome, Chiyoda-ku, Tokyo, 100-0011 Japan.
Tel : 81-(0)3-3508-1611 Fax : 81-(0)3-3508-1881

Nippon Pillar Corporation of America : 1562, Parkway Loop, Suite2C, Tustin, CA 92780, USA.
Tel : 1-714-258-7741 Fax : 1-714-258-7760
E-mail : sales@nipponpillar.com

Nippon Pillar Singapore Pte, Ltd. : Blk 71 Ayer Rajah Crescent, #06-20/23 Ayer Rajah Industrial Estate Singapore 139951
Tel : (65)6861-7138 Fax : (65)6862-9098
E-mail : npillars@singnet.com.sg

Pillar Taiwan Semiconductor Work Shop : No.15 Lane 42, Ming-Yu 2 Street, Hsin-Chu, Taiwan, R.O.C.
Tel : 886-3-5785715 Fax : 886-3-5785716
E-mail : homwell@ms9.hinet

Pillar Korea Semiconductor Work Shop : 55-1, Changkoc-1RI, Paltan-Myun, Hwasung-Kun, Kyoungki-Do, Korea.
Tel : 031-353-1521 Fax : 031-353-1522
E-mail : hanjongeng@hotmail.com

Pillar Fitting®, Super 300 Type Pillar Fitting® are trademarks of NIPPON PILLAR PACKING CO., LTD.

<http://www.pillar.co.jp/> e-mail : info@pillar.co.jp

*Specifications and dimensions are subject to change without prior notice.

*The data on this catalogue are solely for your reference and are not to be construed as constituting a warranty.



CAUTION

• Follow the instructions, before installation and operation, for your safety.