



## Features

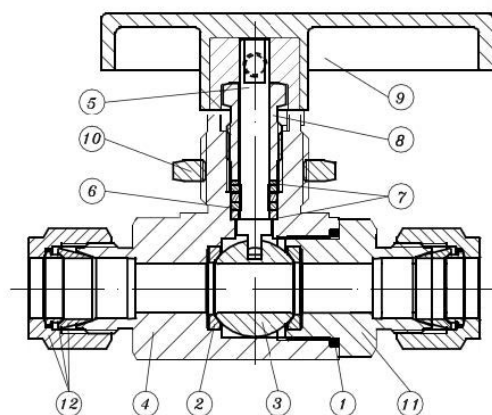
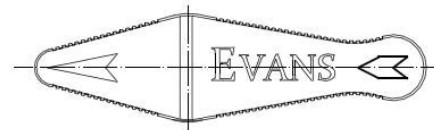
- CFOS Cleaned
- Full bore design "all sizes"
- Locking Handle Option for LOTO
- Size range 1/4" (6mm) thru 1" (25mm)
- Helium leak rated to  $1 \times 10^{-7}$  scc/sec
- Maximum pressure rated to 2000 psig/138 bar
- Low cost cast body design



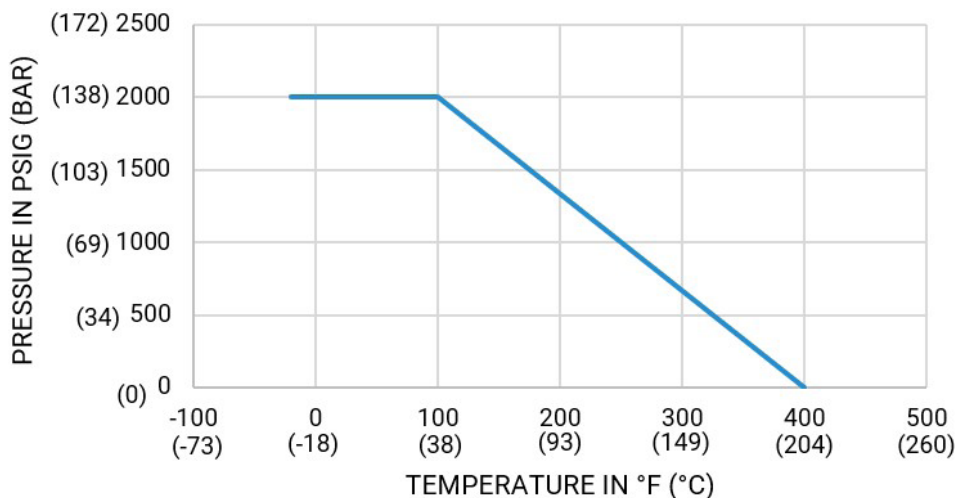
# Specifications

## Materials

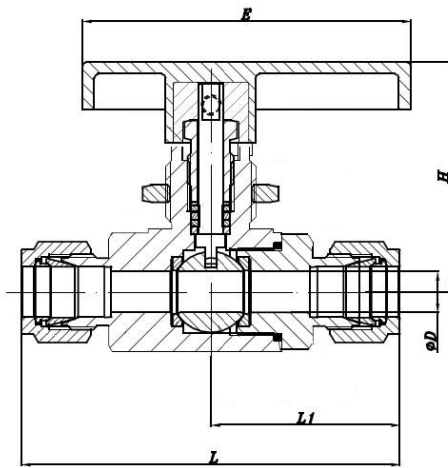
Item	Description	QTY	Body Materials
1	Body Seal	1	PTFE
2	Seat	2	TFM 1600
3	Ball	1	316 Stainless Steel
4	Body	1	ASTM A 351 Grade CF8M
5	Stem	1	ASTM A 276 TYPE 316
6	Stem Seal	1	PTFE
7	Stem Washer	2	316 Stainless Steel
8	Packing Nut	1	ASTM A 276 TYPE 316
9	Handle	1	Glass reinforced nylon
10	Panel Nut	1	304 Stainless Steel
11	End Cap	1	ASTM A 351 Grade CF8M
12	End Connector	1	ASTM A 351 Grade CF8M



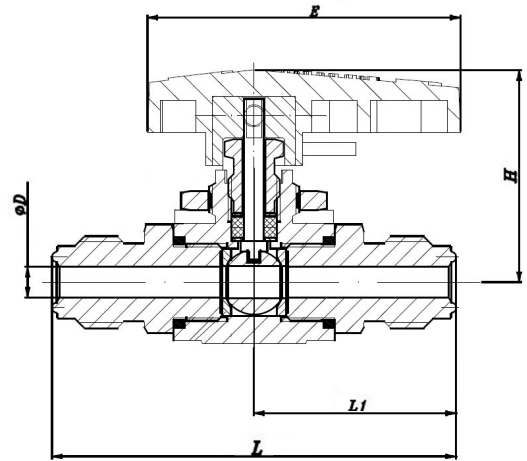
## Pressure-Temperature Chart



## Dimensions & Part Numbers



Compression End Connections



VCR End Connections

SIZE	PART NUMBER	ORIFICE	CV	L	L1	H	ØD	E	F
<b>FRACTIONAL</b>									
1/4" 6.35	SS-93S4	0.18 4.6	1.1	2.73 69.3	1.36 34.65	1.28 32.5	0.19 4.8	1.91 48.5	1.27 32.2
3/8" 9.53	SS-94S6	0.28 7.1	2.8	3.13 79.5	1.59 40.3	1.83 46.4	0.28 7.2	2.62 66.5	1.58 40.1
1/2" 12.7	SS-95S8	0.41 10.3	19	3.78 96.1	1.89 48.05	2.30 58.5	0.41 10.3	3.28 83.4	2.00 50.8
3/4" 19.05	SS-95S12RP	0.41 10.3	19	3.78 96.1	1.89 48.05	2.30 58.5	0.41 10.3	3.28 83.4	2.00 50.8
3/4" 19.05	SS-96S12	0.62 15.75	35	4.03 102.3	2.10 51.15	2.46 62.4	0.63 15.9	3.28 83.4	2.00 50.8
1" 25.4	SS-97S16	0.87 22.1	50	4.83 122.8	2.42 61.4	2.59 65.8	0.87 22.1	3.96 100.5	2.57 65.2
<b>METRIC</b>									
6MM	SS-93S4-6MM	0.18 4.6	1.1	2.73 69.3	1.36 34.65	1.28 32.5	0.19 4.8	1.91 48.5	1.27 32.2
8MM	SS-93S4-8MM	0.18 4.6	1.1	2.73 69.3	1.36 34.65	1.28 32.5	0.19 4.8	1.91 48.5	1.27 32.2
10MM	SS-94S6-10MM	0.28 7.1	2.8	3.13 79.5	1.59 40.3	1.83 46.4	0.28 7.2	2.62 66.5	1.58 40.1
12MM	SS-95S8-12MM	0.41 10.3	19	3.78 96.1	1.89 48.05	2.30 58.5	0.41 10.3	3.28 83.4	2.00 50.8
18MM	SS-96S12-18MM	0.62 15.75	35	4.03 102.3	2.10 51.15	2.46 62.4	0.63 15.9	3.28 83.4	2.00 50.8
25MM	SS-97S16-25MM	0.87 22.1	50	4.83 122.8	2.42 61.4	2.59 65.8	0.87 22.1	3.96 100.5	2.57 65.2
<b>VCR END CONNECTION</b>									
1/4" 6.35	SS-93VR4	0.18 4.6	1.1	2.70 68.6	1.35 34.3	1.28 32.5	0.19 4.8	1.91 48.5	1.27 32.2

## Learn more about related Evans Products

**EVANS COMPONENTS** | Evans Ball Valves  
High Purity 304/316 Stainless



**BA-SG Series**

- 1/4" - 24" and (15A-489A) Sizes
- CFOS Cleaned and Bagged
- Integrated Valve Assemblies
- Standard Spool Assemblies & Custom Spool Lengths (Customer Specified In Feet)
- 100% Helium Leak Tested



**EVANS COMPONENTS** | Evans PLT Series Presslok®  
Stainless Tube Fittings/Valves  
Tube Size Range: 1/2" thru 4"



**PRESSLOK® GO/NO-GO GAUGES**

If Presslok® Go/No-Go Gauge slips over-pressed section of fitting, press is acceptable. If gauge does not slip over pressed section, press is unacceptable.



**EVANS COMPONENTS** | Evans SS-G & GXL Series  
Integrated Stainless Gas Sticks



**G & GXL Series Features**

- 316SS CF8M Body Construction
- CFOS Cleaned and packaged in cleanroom
- 2-PC Design G-series allows for isolation and removal of regulator



[www.evanscomponents.com](http://www.evanscomponents.com)

7606 SW Bridgeport Road  
Portland, Oregon 97224

**Office** 971.249.1600

**Fax** 971.249.1601