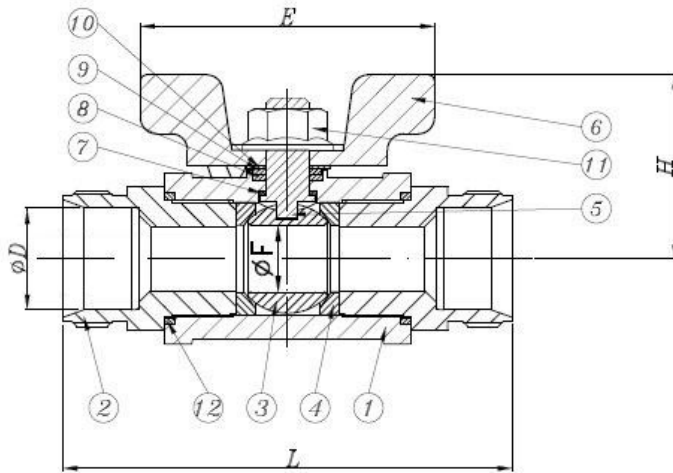


Features

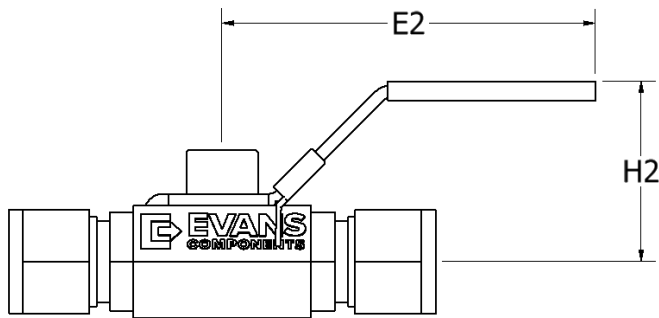
- CFOS Cleaned
- Helium leak rated to 1×10^{-7} ssc/sec
- Economical hex body design
- Compact, comes standard with butterfly handle
- Locking lever handle, optional
- Easy to operate, low torque
- Custom Manifold Assemblies
- Optional hose barb connections



Part Numbers & Specifications

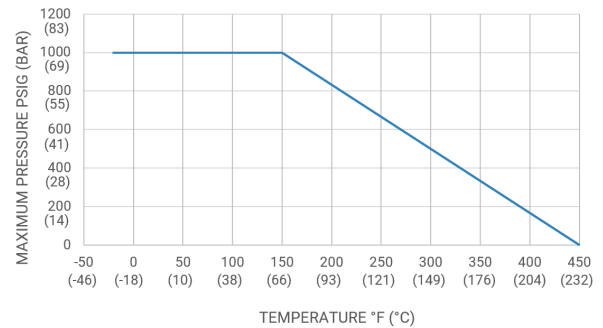


NO.	PART NAME	QTY	MATERIAL
1	Body	1	CF8 304SS
2	End Cap	2	CF8 304SS
3	Ball	1	304SS
4	Ball Seat	2	TFM 1600
5	Stem	1	304SS
6	Handle	1	304SS
7	Stem Seal	1	PTFE
8	Stem Packing	1	PTFE
9	Washer	2	304SS
10	Bellville Washer	1	304SS
11	Flange Nuts	1	304SS
12	Body Seal	2	PTFE



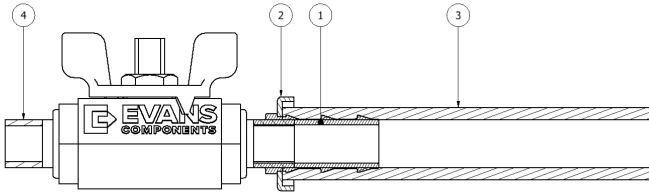
Optional Locking Lever Handle:
Replace -BH in part number with -LH to specify this option

PRESSURE VS TEMPERATURE



SIZE	PART NUMBER	ORIFICE	CV	DIMENSIONS (IN/mm)				
				Ø D	Ø F	L	H	H2
1/4" 6.35	SG-33S4-BH	0.18 4.6	2.4	2.21 56.1	1.00 25.4	1.20 30.5	1.29 32.7	2.65 67.3
3/8" 9.53	SG-34S6-BH	0.28 7.1	6	2.55 64.8	1.12 28.4	1.27 32.3	1.45 36.8	2.65 67.3
1/2" 12.7	SG-35S8-BH	0.41 10.3	12	2.83 71.8	1.25 31.7	1.63 41.4	1.81 45.9	3.07 78.0
3/4" 19.05	SG-36S12-BH	0.62 15.75	27	3.30 83.8	1.37 34.8	1.79 45.5	2.16 54.9	3.35 85.1
1" 25.4	SG-37S16-BH	0.87 22.1	40	3.74 95.0	1.70 43.2	2.05 52.1	2.44 62	4.15 105.4

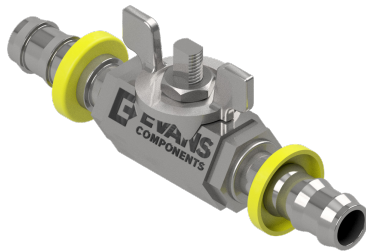
30 Series valve with hose barbs materials



NO	PART	MATERIAL
1	HOSE BARB	CF8 304SS
2	STOPPER RING	RUBBER
3	HOSE	SUPPLIED BY CUSTOMER
4	TUBE STUB	CF8 304SS

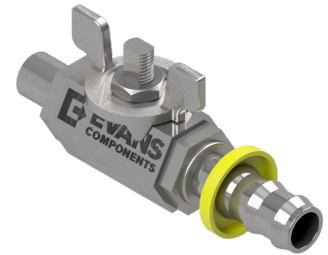
30 Series valve, hose barb x hose barb

SIZE Ø D	VALVE PART NUMBER
1/4" 6.35	SG-33HB4-BH
3/8" 9.53	SG-34HB6-BH
1/2" 12.7	SG-35HB8-BH
3/4" 19.05	SG-36HB12-BH
1" 25.4	SG-37HB16-BH



30 Series valve, tube stub x hose barb

SIZE Ø D	VALVE PART NUMBER
1/4" 6.35	SG-33MHB4-BH
3/8" 9.53	SG-34MHB6-BH
1/2" 12.7	SG-35MHB8-BH
3/4" 19.05	SG-36MHB12-BH
1" 25.4	SG-37MHB16-BH



30 Series Manifolds



Evans 30-Series manifolds are manufactured using "pulled-tee" technology in combination with tungsten arc welding that conforms to ASME B31.3 standards. The "pulled-tee" design eliminates the need for using multiple tee's thus reducing cost, dead leg, and improving overall quality. Manifolds are 100% helium leak tested to 1×10^{-7} scc/sec. Quick turn 3D design drawings can be supplied in STEP, dwg, or Revit formats upon request.

Learn more about related Evans Products

EVANS COMPONENTS | Evans PW/PWT Series
1/2" thru 4" PCWS/R Hook-Up Sticks



Evans Custom Water Stick
Supply and Return Manifolds



EVANS COMPONENTS | Evans Ball Valves
PW "Industrial" Series



PW Series

- Full Port Design
- 1/4" - 6" Size Range
- Integrated Valve Assemblies
- Spool Manifolds up to 24' (7m) Lengths
- One-piece ANSI 150B Flange Optional
- 100% Pressure Tested



EVANS COMPONENTS | Evans E-Series
"Low Cost" CFOS Grade Gas Sticks



Options

- Available Size Range: 1/4" (6.4mm) thru 1" (25.4mm)
- Optional 5 Micron Sintered Filter



www.evanscomponents.com

7606 SW Bridgeport Road
Portland, Oregon 97224

Office 971.249.1600

Fax 971.249.1601