



POINT OF USE AIR/VENT DISC FILTERS

Hydrophobic PTFE and Glass Fiber filters for sanitary air venting/filtration

POINT-OF-USE AIR/VENT DISC FILTERS

PTFE AND GLASS FIBER FILTERS FOR SANITARY VENTING/FILTRATION

Point-of-Use Air/Vent Disc Filters provide sterile venting/air filtration at point of use and as needed to sterilize incoming air to ensure that it will not contaminate equipment from outside pollutants. These sterile air filters maintain pressure balance in gas cabinets. Cobetter offers a variety of air filters to meet different requirements of gas flow and installation. They are made of inherently hydrophobic PTFE or glass fiber filter media, which provide excellent sterilization performance in dry or humid conditions.

All filters are 100% integrity tested.

FEATURE	BENEFIT
Glass Fiber or Hydrophobic PTFE Membrane	Membranes available to meet process needs, and deliver high flow rates with exceptional mechanical strength
Validated bacterial and aerosol challenge tested	Delivers total bacteria and bacteriophage removal.

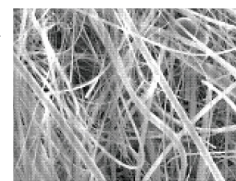
QUALITY STANDARDS

Quality Assurance	These products are manufactured in a facility which adheres to ISO 9001 Practices.
TOC / Conductivity at 25°C	Autoclaved filter effluent meets the USP <643> for Total Organic Carbon and USP <645> for Water Conductivity per WFI requirements after a UPW flush of specified volume.
Particle Shedding	Autoclaved filter effluent meets the requirements in USP <788> for large volume injections
Non-Fiber Releasing	Component materials meet the criteria for a "Non-fiber-releasing filter" as defined in 21 CFR 210.3 (b) (6)
Bacterial Endotoxin	Aqueous extraction of autoclaved filter contains < 0.25 EU/mL as determined by Limulus; Amebocyte Lysate (LAL), USP <85>.
USP <87> Cytotoxicity	Meet the requirement of USP <87> In Vitro Cytotoxicity Test
USP <88> Biological Toxicity	Meet the criteria of the USP <88> Biological Reactivity Test for Class VI-121°C plastics.
Indirect Food Additive	All component materials meet the FDA Indirect Food Additive requirements cited in 21 CFR 177-182, and EU framework regulation [1935/2004/EC].

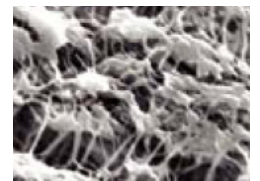


Typical Applications

- Sterile Venting of Small Containers
- Sterile In-line Gas Filtration
- VentAir Filtration
- Gas Filtration
- Vent\Balance Filtration
- Bio Bag Venting



Glass Fiber media

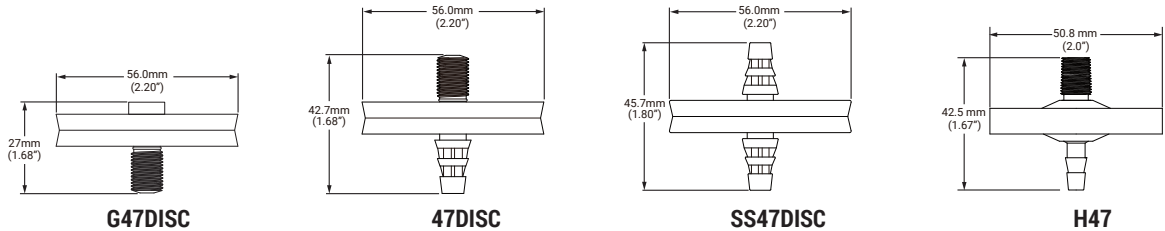


PTFE media

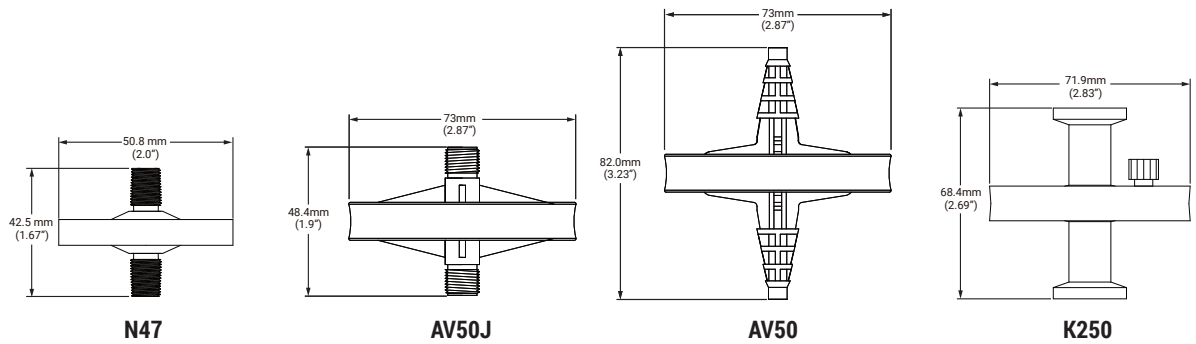
SPECIFICATIONS

Filter media	Hydrophobic PTFE or Glass Fiber
Pore size	See Ordering Guide
Housing	Polypropylene
Sealing technology	Thermal bonding

DIMENSIONS



Inlet	4 mm opening	1/8" NPT	1/4 - 3/8" Hose barb	1/8" MNPT
Outlet	1/8" NPT	1/4 - 3/8" Hose barb	1/4 - 3/8" Hose barb	1/4" Hose barb
Filtration Area	13.8 cm ² (2.14 in. ²)	13.8 cm ² (2.14 in. ²)	13.8 cm ² (2.14 in. ²)	13.8 cm ² (2.14 in. ²)



Inlet	1/8" MNPT	1/4" Jaco compatible	1/4" Hose Barb	1/4" Sanitary Tri-Clamp
Outlet	1/8" MNPT	1/4" Jaco compatible	1/4" Hose Barb	1/4" Sanitary Tri-Clamp
Filtration Area	13.8 cm ² (2.14 in. ²)	19.6 cm ² (3.0 in. ²)	19.6 cm ² (3.0 in. ²)	33 cm ² (5.11 in. ²)

ORDERING INFORMATION

EXAMPLE: **G47DISC-GF0020M** = G47DISC filter with Glass fiber media, 0.2 µm, Medical applications



-



-



Type (see drawings)

AV50 = 1/4-1/2" Hose Barb Inlet/Outlet
 AV50-J = 1/4" JACO Inlet/Outlet
 47DISC = 1/8" NPT Inlet, 1/4-3/8" Hose Barb Outlet
 H47 = 1/8" MNPT Inlet, 1/4" Hose Barb Outlet
 N47 = 1/8" MNPT Inlet/Outlet
 SS47DISC = 1/4-3/8" Hose Barb Inlet/Outlet
 G47DISC = 4mm Opening Inlet, 1/8" NPT Outlet
 K250 = 1/2" Sanitary Tri-Clamp Inlet/Outlet

Media

GF = Glass Fiber
 PTFE = PTFE

Removal Rating*

PTFE:

0003 = 0.003 µm
 0001 = 0.01 µm
 0020 = 0.2 µm

Glass Fiber:

0001 = 0.01 µm
 0020 = 0.2 µm

Application

M = Medical

*other pore sizes available upon request



BANNER INDUSTRIES IS THE EXCLUSIVE DISTRIBUTOR FOR COBETTER PRODUCTS IN THE USA
 Visit www.bannerindustries.com and select the Contact Us link to find the location nearest you. The Banner Industries of N.E., Inc. Terms and Conditions of Sale apply and are fully and expressly incorporated herein by reference and constitute a part of any contract for the purchase of the products described herein.

www.bannerindustries.com | Technical Sales: filtration@bannerindustries.com

CBBPP1052 Rev. 01122021
 Copyright © 2021 Banner Industries, Inc. All rights reserved.