

SuperPVDF® FILTER CARTRIDGES

HYDROPHOBIC AND HYDROPHILIC PVDF MEMBRANE FILTERS

Cobetter SuperPVDF® series polyvinylidene fluoride filters are made of PVDF membranes which are resistant to organic and inorganic solvents. The SuperPVDF is ideal for use in normal dye-based ink, eco-solvent dyes, and color paste filtration. The LHPV version adopts a hydrophilic modified PVDF filter membrane and can be used directly without wetting.

FEATURE	BENEFIT
PVDF micro-membrane	PVDF membrane is absolute rated down to 0.1µm Excellent chemical compatibility and good tolerance to conventional solvents Compared with PTFE filter material, PVDF has a lower cost to performance so it is a more economical absolute filter for solvent ink.
LHPV hydrophilic modified PVDF membrane option	LHPV is a hydrophilic modified PVDF membrane that can be directly used without pre-wetting, allowing for easy start-up
Quality Assurance	Manufactured in a facility which adheres to ISO 9001 Practices.
Particle shedding	Filter effluent meets the requirements in USP <788> for large volume parenterals.

SPECIFICATIONS

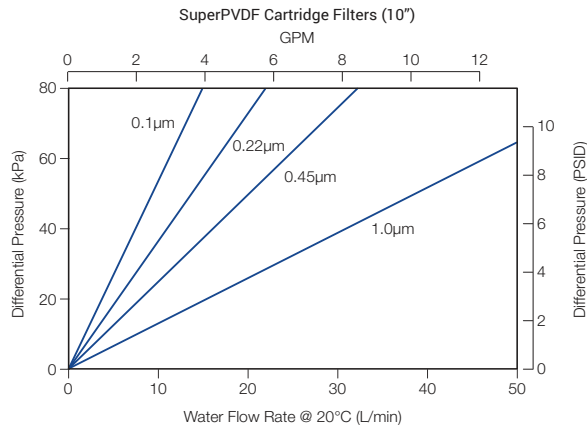
Filter media	PVDF
Supports/core/cage/end caps	Polypropylene
Effective filtration area	≥0.64m ² (6.9 ft ²) / Ø69-10 inch
O-rings	Silicone, EPDM, FKM, FEP/PFA encapsulated FKM
Cartridge diameter	69 mm (2.7 in.)
Max. Operating temperature	80°C
Max. Differential pressure	0.40 MPa (4.0 bar, 58 psi) at 21°C; 0.21 MPa (2.1 bar, 31 psi) at 80°C
Removal rating	0.1 µm to 1.0 µm



Typical Applications

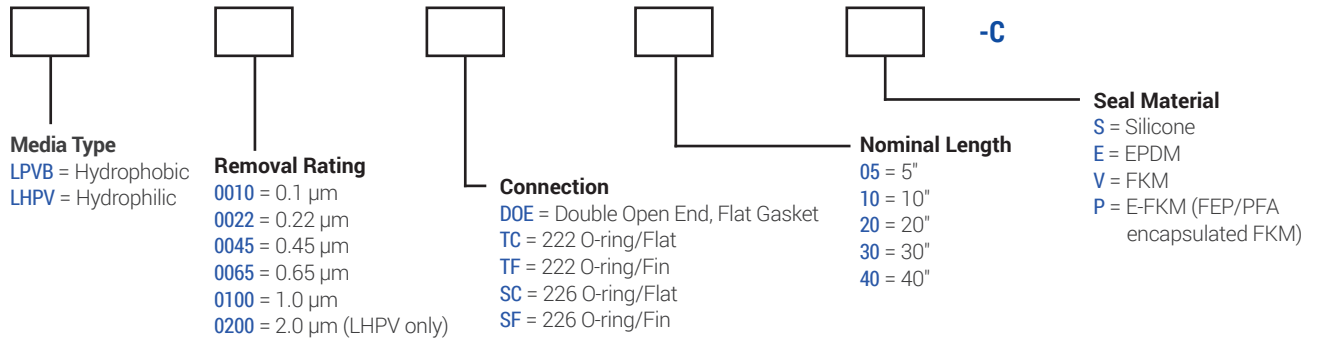
- Dye-based Inks
- Pre-filtration
- Clarification

FLOW RATES



ORDERING INFORMATION

EXAMPLE: **LHPVB0045TC10E-C** = hydrophilic, 0.45 µm, 222/Flat, 10" filter with EPDM seals



BANNER INDUSTRIES IS THE EXCLUSIVE DISTRIBUTOR FOR COBETTER PRODUCTS IN THE USA
 Visit www.bannerindustries.com and select the Contact Us link to find the location nearest you. The Banner Industries of N.E., Inc. Terms and Conditions of Sale apply and are fully and expressly incorporated herein by reference and constitute a part of any contract for the purchase of the products described herein.

www.bannerindustries.com | Technical Sales: filtration@bannerindustries.com

CBBPP1121 Rev. 05052020
 Copyright © 2020 Banner Industries, Inc. All rights reserved.
 SuperPVDF® is a registered trademark of Cobetter Filtration Equipment Co., Ltd.