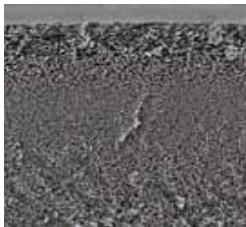


## SteriPS® FILTER CARTRIDGES

### PES MEMBRANE FILTERS DESIGNED DYE-BASED INK JET FINAL FILTRATION

SteriPS® Filter Cartridges are specially designed to provide superior flow rates, high retention efficiency for dye-based ink jet inks final filtration. The cartridge features a single-layer symmetric hydrophilic polyethersulfone membrane.

FEATURE	BENEFIT
<b>Hydrophilic PES membrane</b> 	Inherently hydrophilic membrane provides exceptionally low initial pressure drop Each element is individually tested to ensure filter quality 0.22 µm: bubble point ≥0.32Mpa provides broad chemical compatibility (pH 1-13); excellent compatibility with dye-based ink chemistries High flow rates
<b>Quality Assurance</b>	These products are manufactured in a facility which adheres to ISO 9001:2015 Practices. 100% Integrity tested and Lot traceable.
<b>Particle Shedding</b>	Non-fiber releasing. Autoclaved filter effluent meets the requirements in USP <788>
<b>Non-Fiber Releasing</b>	Component materials meet the criteria for a "Non-fiber-releasing filter" as defined in 21 CFR 210.3 (b) (6)

#### SPECIFICATIONS

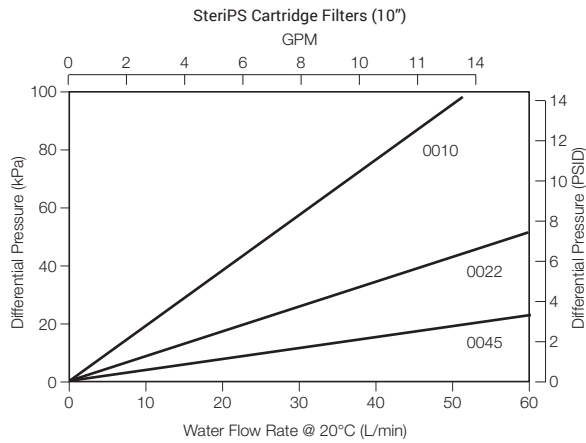
<b>Filter media</b>	PES membrane (single layer)
<b>Supports/core/cage/end caps</b>	Polypropylene
<b>Effective filtration area</b>	0.6m <sup>2</sup> (6.5 ft <sup>2</sup> )/ Ø69-10 inch
<b>O-rings</b>	Silicone, EPDM, FKM, FEP/PFA encapsulated FKM
<b>Cartridge diameter</b>	69 mm (2.7 in.)
<b>Max. Operating temperature</b>	80°C
<b>Max. Differential pressure</b>	0.40 MPa (4.0 bar, 58 psi) at 21°C; 0.21 MPa (2.1 bar, 35 psi) at 80°C



#### Typical Applications

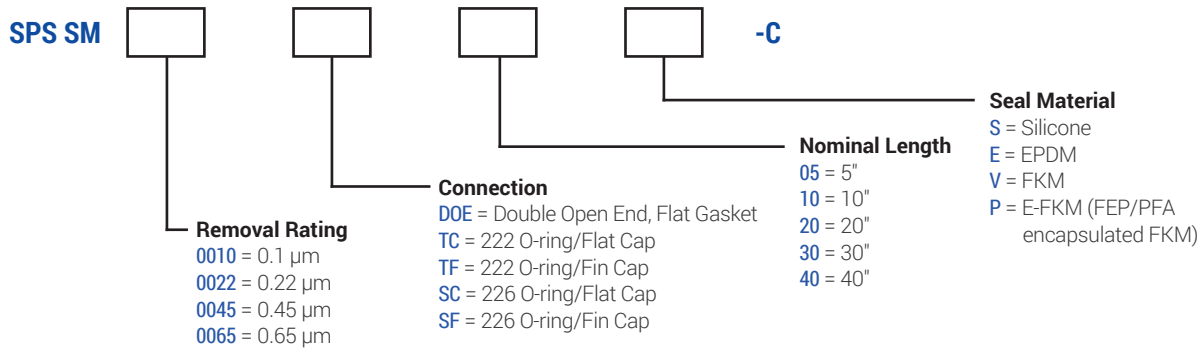
- Ink Jet Inks  
Final Filtration

## FLOW RATES



## ORDERING INFORMATION

EXAMPLE: **SPS SM0045TC10E-C** = 0.45  $\mu$ m, 222/Flat, 10" filter with EPDM seals



**BANNER INDUSTRIES IS THE EXCLUSIVE DISTRIBUTOR FOR COBETTER PRODUCTS IN THE USA**  
 Visit [www.bannerindustries.com](http://www.bannerindustries.com) and select the Contact Us link to find the location nearest you. The Banner Industries of N.E., Inc. Terms and Conditions of Sale apply and are fully and expressly incorporated herein by reference and constitute a part of any contract for the purchase of the products described herein.

[www.bannerindustries.com](http://www.bannerindustries.com) | Technical Sales: [filtration@bannerindustries.com](mailto:filtration@bannerindustries.com)

CBBPP1023 Rev. 04152020  
 Copyright © 2019 Banner Industries, Inc. All rights reserved.  
 SteriPS® is a registered trademark of Cobetter Filtration Equipment Co., Ltd.