

## RF FILTER CARTRIDGE SERIES

Ultra-Fine Glass Fiber Media Filters with Stainless Steel End Caps and Cores for use in High Pressure & Viscosity Oil Filtration

## RF FILTER CARTRIDGE SERIES

### ULTRA-FINE GLASS FIBER MEDIA FILTERS WITH STAINLESS STEEL END CAPS AND CORES FOR USE IN HIGH PRESSURE AND VISCOSITY OIL FILTRATION

Cobetter RF Filter Cartridges use high performance, ultra-fine glass fiber media which results in high filtration efficiency (99.9% efficient at rated pore size, Beta Ratio ( $\beta$ )  $\geq$  1000, meeting ISO Standard 16889) and ensures oil cleanliness.

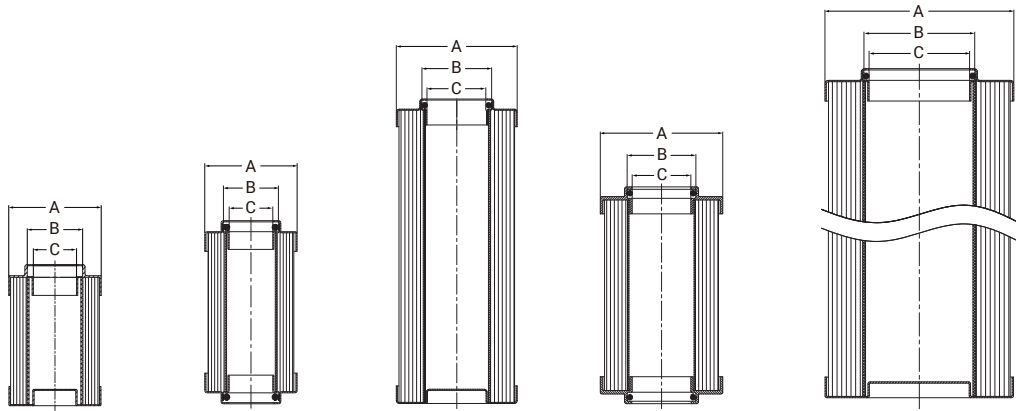
FEATURE	BENEFIT
<b>High Performance Ultra-Fine Glass Fiber Media</b>	Graded pore size with coarse (upstream) to fine (downstream) distribution provides high contaminant holding capacity and extends the filter's service life
	3-D structure improves flow rate and reduces pressure loss
<b>Stainless Steel Cores and End Caps</b>	Strengthens the filter for use in high pressure and viscosity oils

#### SPECIFICATIONS

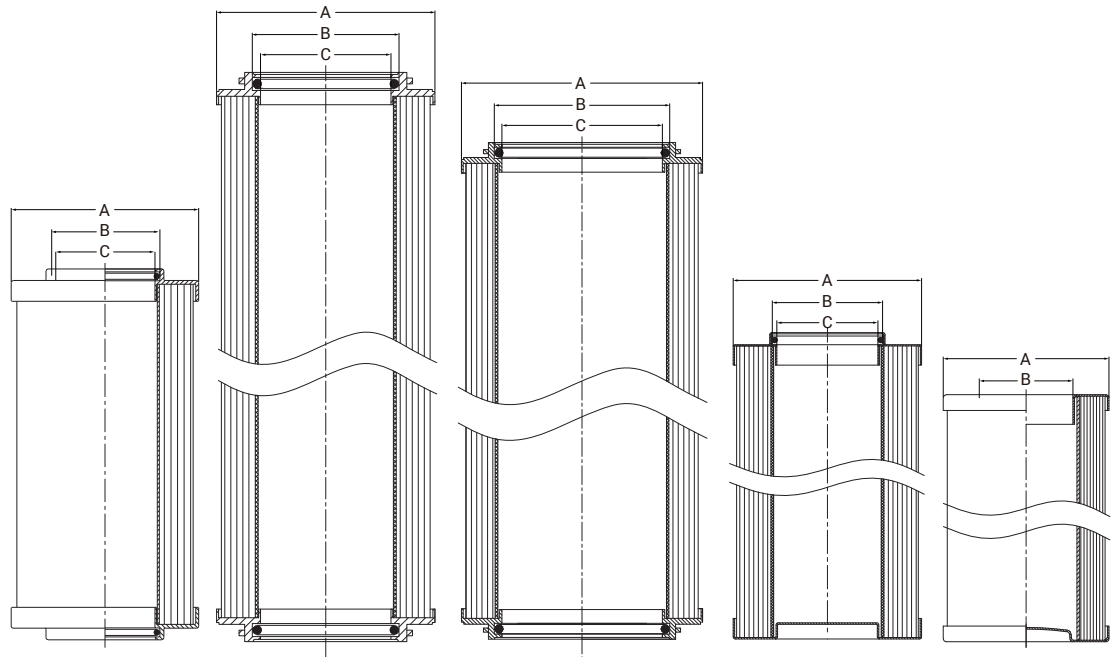
<b>Filter Media</b>	Ultra-Fine Glass Fiber Available in single-layer or double-layer.
<b>End Cap</b>	Stainless Steel
<b>Core</b>	Stainless Steel
<b>Cage</b>	Polyester
<b>Max. Operating Temperature</b>	MBR Seal Material: -43°C to 107°C FKM Seal Material: -29°C to 120°C High Water-Content Fluid (HWCF)/Water-Glycol: 60°C
<b>Max. Operating Pressure</b>	Low Pressure: 2.0 MPa (20 bar, 290 psi) High Pressure: 21 MPa (210 bar, 3045 psi)



**DIMENSIONS - RF FILTERS - LOW PRESSURE WITHOUT BYPASS VALVE**

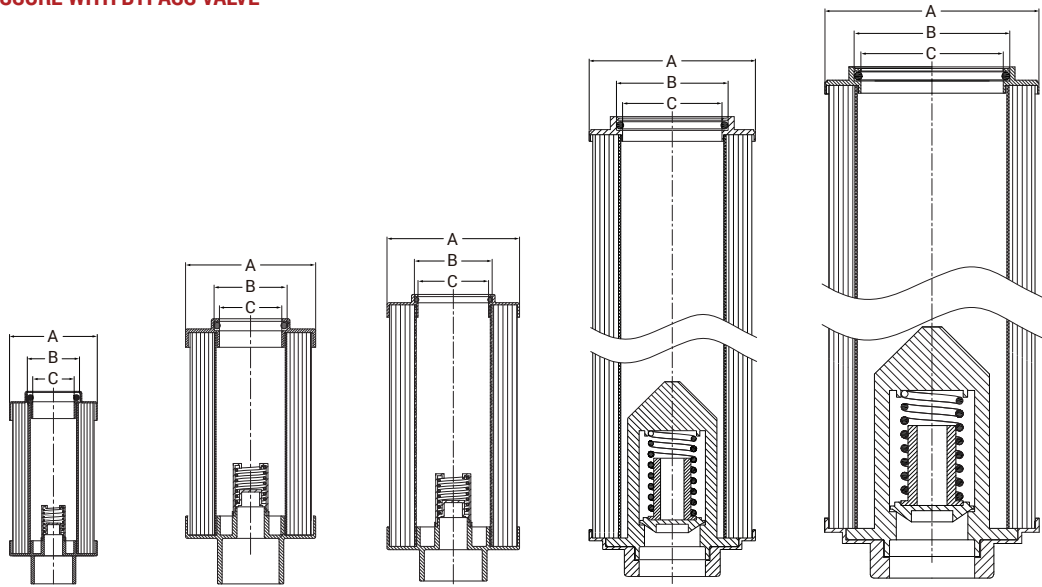


Model	CF2206	CF2208	CF2216	CF2218	CF2233
"A" Outer Diameter	47 mm (1.85")	47 mm (1.85")	69 mm (2.72")	71 mm (2.8")	90.4 mm (3.56")
"B" Inner Diameter	28.1 mm (1.11")	28 mm (1.10")	39.8 mm (1.57")	39.8 mm (1.57")	53 mm (2.09")
"C" Inner O-Ring Diameter	22 mm (0.87")	22.2 mm (0.87")	34 mm (1.34")	34 mm (1.34")	48.4 mm (1.91")
Length	3" / 6" / 8"	4" / 6"	4" / 6" / 14"	4" / 6"	6" / 10" / 13" / 20" / 26"



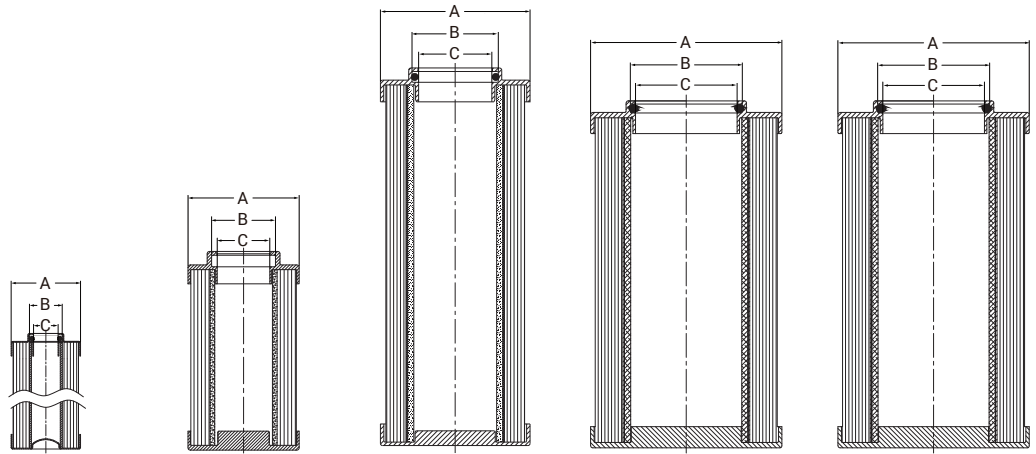
Model	CF2238	CF2285	CF2295	CF3990	CF2235
"A" Outer Diameter	90.5mm (3.56")	114.6 mm (4.51")	144.3 mm (5.68")	90 mm (3.54")	84 mm (3.31")
"B" Inner Diameter	53 mm (2.09")	77 mm (3.03")	105 mm (4.13")	53 mm (2.09")	47.5 mm (1.87")
"C" Inner O-Ring Diameter	48.2 mm (1.9")	68.4 mm (2.69")	96 mm (3.78")	48.4 mm (1.91")	-
Length	6" / 10"	12" / 15" / 30"	14" / 18" / 36"	20"	6" / 14"

**DIMENSIONS - RF FILTERS - LOW PRESSURE WITH BYPASS VALVE**



Model	CF2196	CF2226	CF2246	CF2286	CF2296
"A" Outer Diameter	47 mm (1.85")	71 mm (2.80")	90 mm (3.54)	114.6 mm (4.5")	144.3 mm (5.68")
"B" Inner Diameter	28 mm (1.10")	39.8 mm (1.57")	53 mm (2.09")	77 mm (3.03")	105 mm (4.13")
"C" Inner O-Ring Diameter	22 mm (0.87")	34 mm (1.34")	48.1 mm (1.89")	68.4 mm (2.69")	96 mm (3.78")
Length	4" / 6"	4" / 6"	6" / 10"	12" / 15" / 30"	14" / 18" / 36"

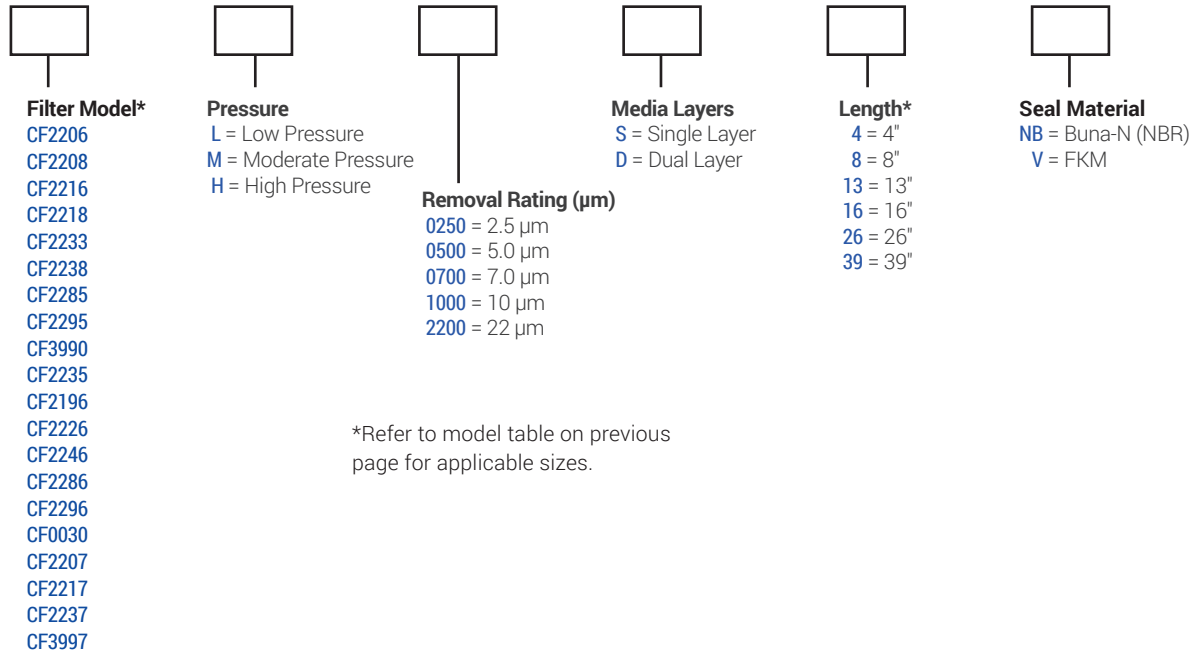
**DIMENSIONS - RF FILTERS - HIGH PRESSURE WITH BYPASS VALVE**



Model	CF0030	CF2207	CF2217	CF2237	CF3997
"A" Outer Diameter	34.8 mm (1.37")	47 mm (1.85")	69 mm (2.72")	90.4 mm (3.56")	90.4 mm (3.56")
"B" Inner Diameter	16.4 mm (0.65")	27.8 mm (1.1 ")	39.8 mm (1.57")	52.9 mm (2.08")	52.9 mm (2.08")
"C" Inner O-Ring Diameter	12.3 mm (0.45")	22.1 mm (0.87")	33.8 mm (1.33")	48 mm (1.89")	48 mm (1.89")
Length	2" / 3"	3" / 6" / 8"	4" / 6" / 14"	6" / 8" / 13" / 20"	20"

## BAR FILTERS ORDERING INFORMATION

EXAMPLE: **CF2208M0250S13V** = Model CF2208, moderate pressure, 2.5 µm single-layer, 13", FKM seals



**BANNER INDUSTRIES IS THE EXCLUSIVE DISTRIBUTOR FOR COBETTER PRODUCTS IN THE USA**  
 Visit [www.bannerindustries.com](http://www.bannerindustries.com) and select the Contact Us link to find the location nearest you. The Banner Industries of N.E., Inc. Terms and Conditions of Sale apply and are fully and expressly incorporated herein by reference and constitute a part of any contract for the purchase of the products described herein.

[www.bannerindustries.com](http://www.bannerindustries.com) | Technical Sales: [filtration@bannerindustries.com](mailto:filtration@bannerindustries.com)

CBBPP1130 Rev. 06062020  
 Copyright © 2020 Banner Industries, Inc. All rights reserved.