

# PURCISE® SERIES FILTERS

## PES STERILIZING & PRE-FILTRATION FILTER SERIES

Purcise® Series Filters are available in a variety of hydrophilic polyethersulfone (PES) media constructions to meet the needs of bioburden reduction, pre-filtration, steam-in-place requirements, sterilization requirements, for a wide range of critical processing requirements.

### MEDIA INFORMATION

TYPE	MEDIA	FEATURES	TYPICAL APPLICATIONS
<b>PAF</b>	Single-layer PES - Asymmetric	<ul style="list-style-type: none"> <li>Pre-filtration</li> <li>High flow rates</li> <li>Low pressure drop</li> </ul>	<ul style="list-style-type: none"> <li>Sterilize filtration of cell culture medium</li> <li>Buffer filtration</li> </ul>
<b>PLE</b>	Double-layer PES - Symmetric Inner and outer layer	<ul style="list-style-type: none"> <li>Bioburden reduction</li> <li>Pre-filtration</li> <li>Low extractables</li> </ul>	<ul style="list-style-type: none"> <li>Pre-filtration of cell culture medium</li> <li>Buffer filtration</li> </ul>
<b>SLE</b>	Single or double-layer PES - Symmetric Inner and outer layer	<ul style="list-style-type: none"> <li>Sterilizing grade</li> <li>Low extractables</li> <li>Protein adsorption</li> </ul>	<ul style="list-style-type: none"> <li>Sterile filtration of cell culture medium</li> <li>Buffer filtration</li> </ul>
<b>SAF</b>	Double-layer PES - Symmetric Inner and outer layer	<ul style="list-style-type: none"> <li>Sterilizing grade</li> <li>High flow rates</li> <li>Low pressure drop</li> </ul>	<ul style="list-style-type: none"> <li>Pre-column filtration protection</li> <li>Filtration of intermediate products/stock solutions</li> <li>Filtration of blood products/serums</li> <li>Sterile filtration of terminal products</li> <li>Filtration of colloids/viscous liquids</li> </ul>
<b>SPS</b>	Single-layer PES - Symmetric	<ul style="list-style-type: none"> <li>Sterilizing grade</li> <li>Steam-in-Place Capsules</li> <li>Low extractables</li> <li>Sterilizing grade</li> </ul>	
<b>MLE</b>	Double-layer PES - Symmetric Inner and outer layer	<ul style="list-style-type: none"> <li>Mycoplasma removal</li> <li>Sterilizing grade</li> <li>Low extractables</li> </ul>	<ul style="list-style-type: none"> <li>Sterile filtration of cell culture medium</li> <li>Pre-column filtration protection</li> <li>Filtration of intermediate products/stock solutions</li> <li>Filtration of blood products/serums</li> <li>Sterile filtration of terminal products</li> </ul>

### BIOLOGICAL SAFETY

<b>Endotoxins</b>	<0.25 EU/ml
<b>Bio-compatibility</b>	Meet the requirement of USP<87> In Vitro Cytotoxicity Test; Meet the criteria of the USP<88> Biological Reactivity Test for Class VI-121C plastics



## SPECIFICATIONS

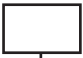
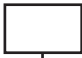
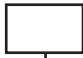
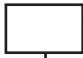
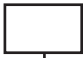
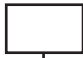

<b>Filter media</b>	Hydrophilic Polyethersulfone (PES)
<b>Core/Cage/End Cap</b>	Polypropylene
<b>Capsule Shell</b>	Polypropylene
<b>O-ring (cartridge only)</b>	Silicone/EPDM/FKM/E-FKM
<b>O-ring Internal Insert (cartridge only)</b>	PBT
<b>O-ring, Capsule Vent</b>	Silicone
<b>Max. Operating temperature</b>	80°C
<b>Max. Differential pressure</b>	0.55 MPa (5.5 bar, 80 psi) at 25°C 0.1 MPa (1.0 bar, 814.5 psi) at 80°C


## PURCISE SERIES FILTRATION AREA

Bricap C/D	Bricap L	Bricap T	Cartridges A/L	BriScale Disc Filters	Mini Cartridges
C01: 180 cm <sup>2</sup>	L02: 0.12 m <sup>2</sup>	T10: 0.55 m <sup>2</sup>	5": 0.28 m <sup>2</sup>	A50 = 20 cm <sup>2</sup>	MK070 = cm <sup>2</sup>
C02: 420 cm <sup>2</sup>	L03: 0.16 m <sup>2</sup>	T20: 1.1 m <sup>2</sup>	10": 0.55 m <sup>2</sup> / 1.04 m <sup>2</sup>		MK084 = cm <sup>2</sup>
C03: 660 cm <sup>2</sup>	L05: 0.28 m <sup>2</sup>	T30: 1.65 m <sup>2</sup>	20": 1.1 m <sup>2</sup> / 2.08 m <sup>2</sup>		MK135 = cm <sup>2</sup>
D01: 350 cm <sup>2</sup>	L10: 0.55 m <sup>2</sup>		30": 1.65 m <sup>2</sup> / 3.12 m <sup>2</sup>		MD135 = cm <sup>2</sup>
	L20: 1.1 m <sup>2</sup>		40": 2.2 m <sup>2</sup> / 4.16 m <sup>2</sup>		MD120 = cm <sup>2</sup>
	L30: 1.65 m <sup>2</sup>				MP085 = cm <sup>2</sup>
					MP134 = cm <sup>2</sup>
					MH070 = cm <sup>2</sup>
				MH142 = cm <sup>2</sup>	
				MC127 = cm <sup>2</sup>	
				MC069 = cm <sup>2</sup>	

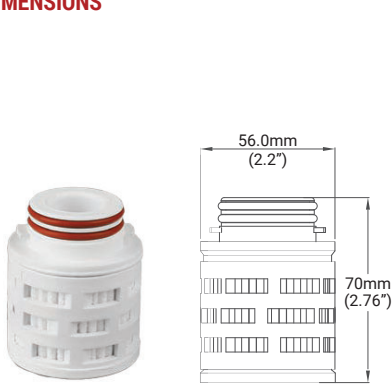
## CARTRIDGE ORDERING INFORMATION

EXAMPLE: **APLES107E1P** dual-layer PES, 0.8 µm + 0.45 µm, 10", 226 o-ring/fin, EPDM o-ring

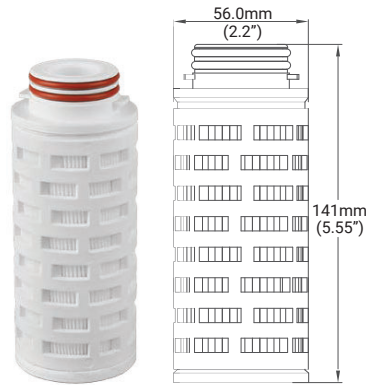
 <b>Filter Area</b> A = Standard L = Extra area	 <b>Media</b> (See Media Table) PAF PLE SLE SAF MLE	 <b>Removal Rating</b> PAF: S = 0.45 µm L = 0.8 µm P = 1.0 µm PLE: S = 0.8 µm + 0.45 µm H = 1.0 µm + 0.65 µm L = 1.5 µm + 0.8 µm SLE: N = 0.2 µm S = 0.45 µm + 0.2 µm H = 0.65 µm + 0.2 µm L = 0.8 µm + 0.2 µm C = 1.2 µm + 0.2 µm	 <b>Nominal Length</b> 05 = 5" 10 = 10" 20 = 20" 30 = 30" 40 = 40" SAF: S = 0.45 µm + 0.2 µm H = 0.65 µm + 0.2 µm MLE: B = 0.2 µm + 0.1 µm S = 0.45 µm + 0.1 µm	 <b>Connection</b> 0 = Double Open End, Flat Gasket 2 = 226 O-ring/Flat (PBT Insert) 7 = 226 O-ring/Fin (PBT Insert) 3 = 222 O-ring/Flat (PBT Insert) 8 = 222 O-ring/Fin (PBT Insert)	 <b>Seal Material</b> S = Silicone E = EPDM V = FKM P = E-FKM (FEP/PFA encapsulated FKM)	 <b>Application</b> P = Pharmaceutical
---	---	--	--	---	--	---



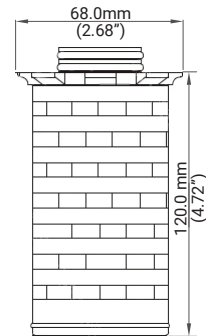
**DIMENSIONS**



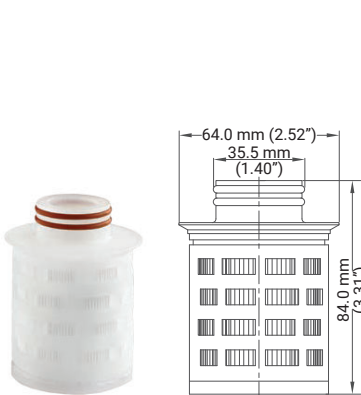
**MH070**  
126 o-ring w/locking tab



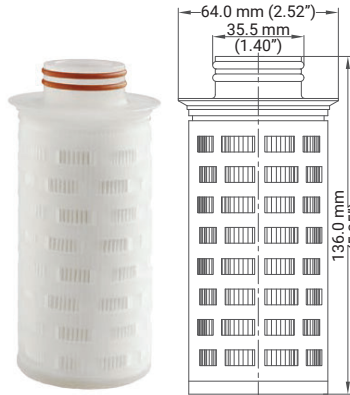
**MH142**  
126 o-ring w/locking tab



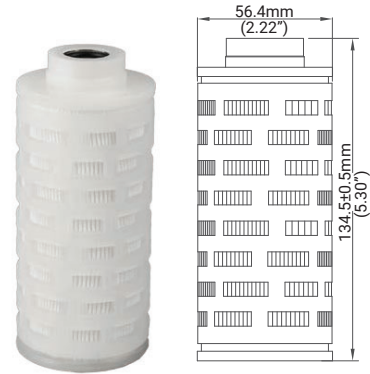
**MF120**  
123 o-ring w/ hold down clip



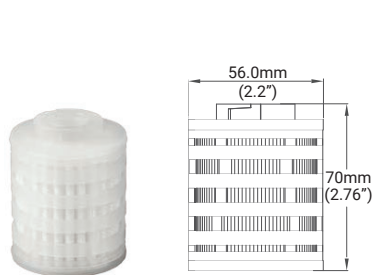
**MP085**  
123 o-ring w/ hold down clip



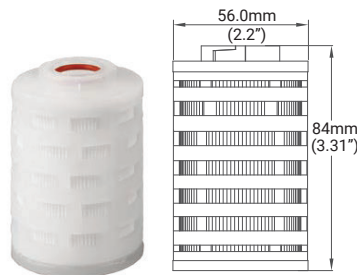
**MP134**  
123 o-ring w/ hold down clip



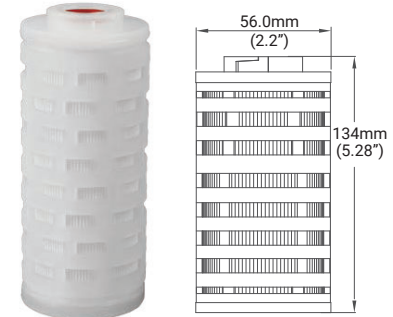
**MD135**  
116 internal o-ring



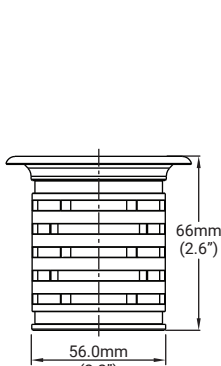
**MK070**  
116 internal o-ring w/locking grooves



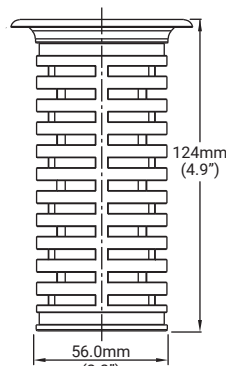
**MK084**  
116 internal o-ring w/locking grooves



**MK135**  
116 internal o-ring w/locking grooves



**MC069**  
Flanged End



**MC127**  
Flanged End

## PURCISE MINI CARTRIDGE ORDERING INFORMATION

EXAMPLE: **MK070PLESS1P** = Mini cartridge, 2.76" length, 116 o-ring w/locking groove, dual-layer PES, 0.8 µm + 0.45 µm, Silicone o-ring, Qty 1 per box, for pharmaceutical applications



**Media**  
(See Media Table)  
PAF  
PLE  
SLE  
SAF  
MLE



### Removal Rating

#### PAF:

S = 0.45 µm  
L = 0.8 µm  
P = 1.0 µm

#### PLE:

S = 0.8 µm + 0.45 µm  
H = 1.0 µm + 0.65 µm  
L = 1.5 µm + 0.8 µm

#### SLE:

N = 0.2 µm  
S = 0.45 µm + 0.2 µm  
H = 0.65 µm + 0.2 µm  
L = 0.8 µm + 0.2 µm  
C = 1.2 µm + 0.2 µm



### Seal Material

S = Silicone  
V = FKM  
P = E-FKM (FEPFA encapsulated FKM)  
N = No seal



**1**  
1 = 1 per box



### Application

P = Pharmaceutical

### Filter Code (see drawings)

Internal 116 O-ring w/locking groove:

**MK070** = 70mm (2.76")  
**MK084** = 84mm (3.31")  
**MK135** = 134mm (5.28")

Internal 116 O-ring:

**MD135** = 134.5mm (5.3")

123 O-ring w/hold down lip:

**MF120** = 120mm (4.72")  
**MP085** = 84mm (3.31")  
**MP134** = 136mm (5.35")

126 O-ring w/locking tab:

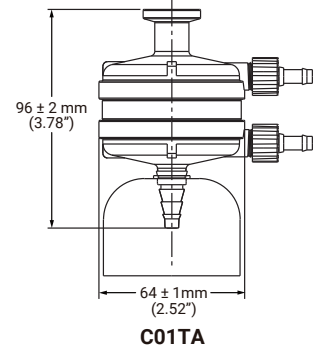
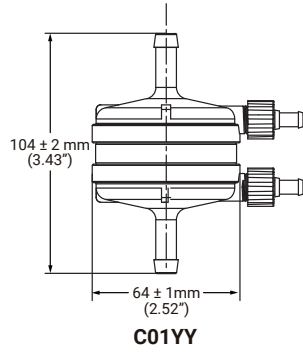
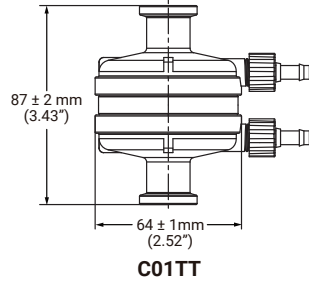
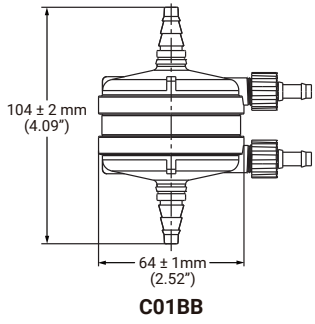
**MH070** = 70mm (2.76")  
**MH142** = 141mm (5.5")

Flanged End:

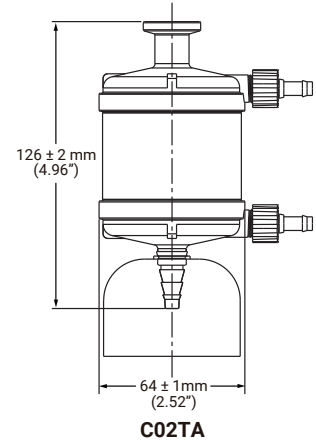
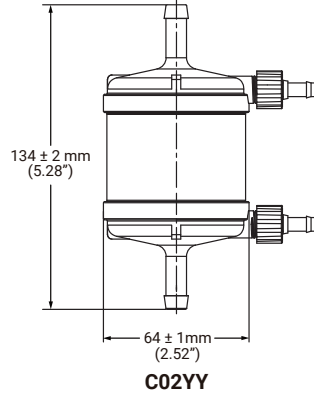
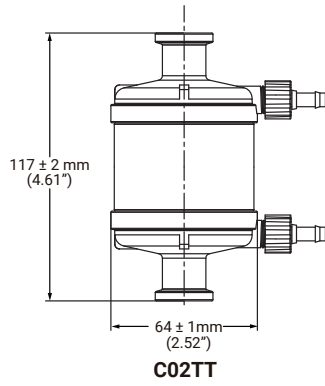
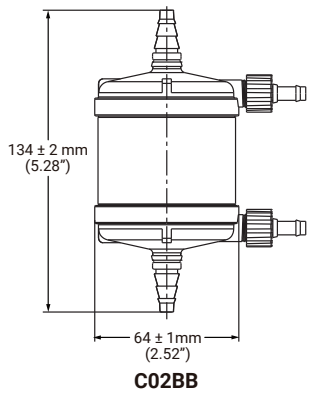
**MC127** = 124 mm (4.88")  
**MC069** = 66 mm (2.6")

**DIMENSIONS - BRICAP C SMALL CAPSULE FILTERS**

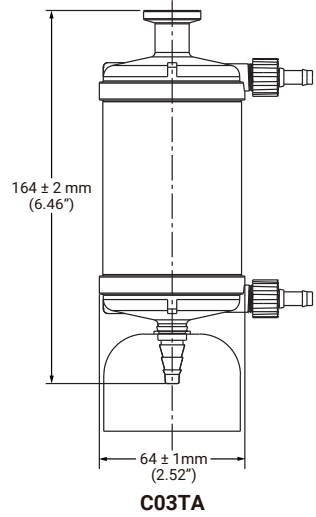
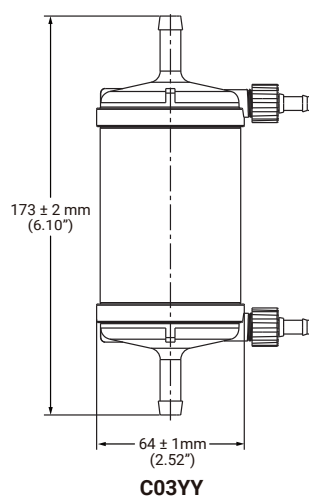
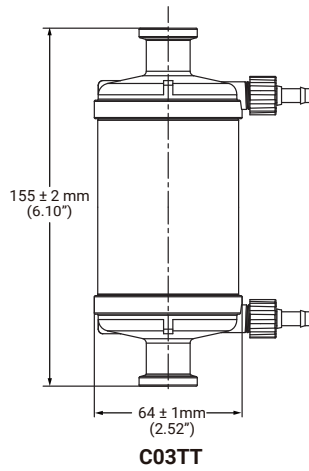
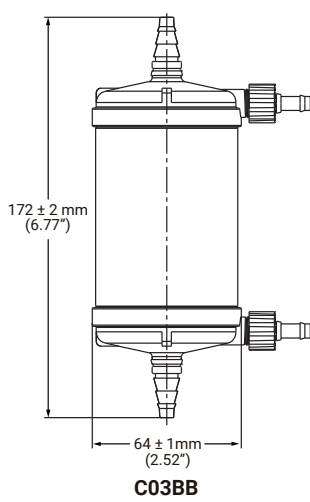
**Bricap C01**



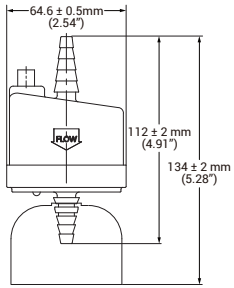
**Bricap C02**



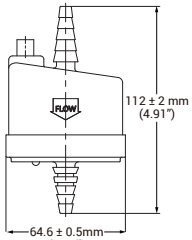
**Bricap C03**



**DIMENSIONS - BRICAP D**

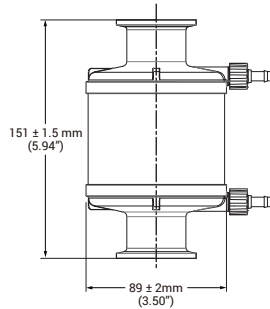


**D01BA**

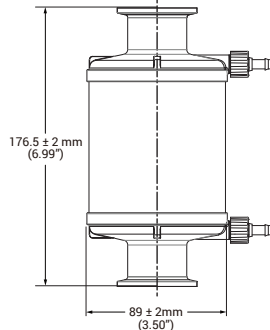


**D01BB**

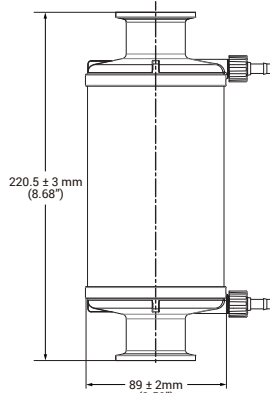
**DIMENSIONS - BRICAP L**



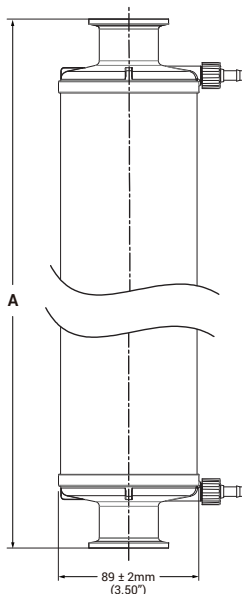
**L02SS**



**L03SS**

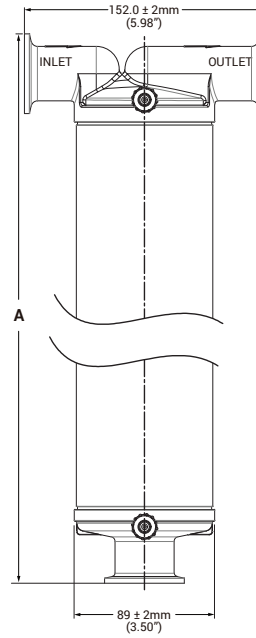


**L05SS**



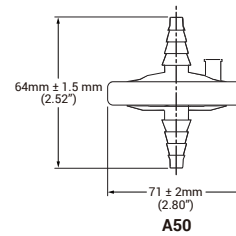
**L10SS "A"** = 338.5 ± 2 mm (13.31")  
**L20SS "A"** = 575.5 ± 3 mm (22.66")  
**L30SS "A"** = 828.0 ± 3 mm (32.60")

**DIMENSIONS - BRICAP T**



**T10SS "A"** = 348.0 ± 2 mm (13.70")  
**T20SS "A"** = 586.0 ± 3 mm (23.07")  
**T30SS "A"** = 839.0 ± 3 mm (33.03")

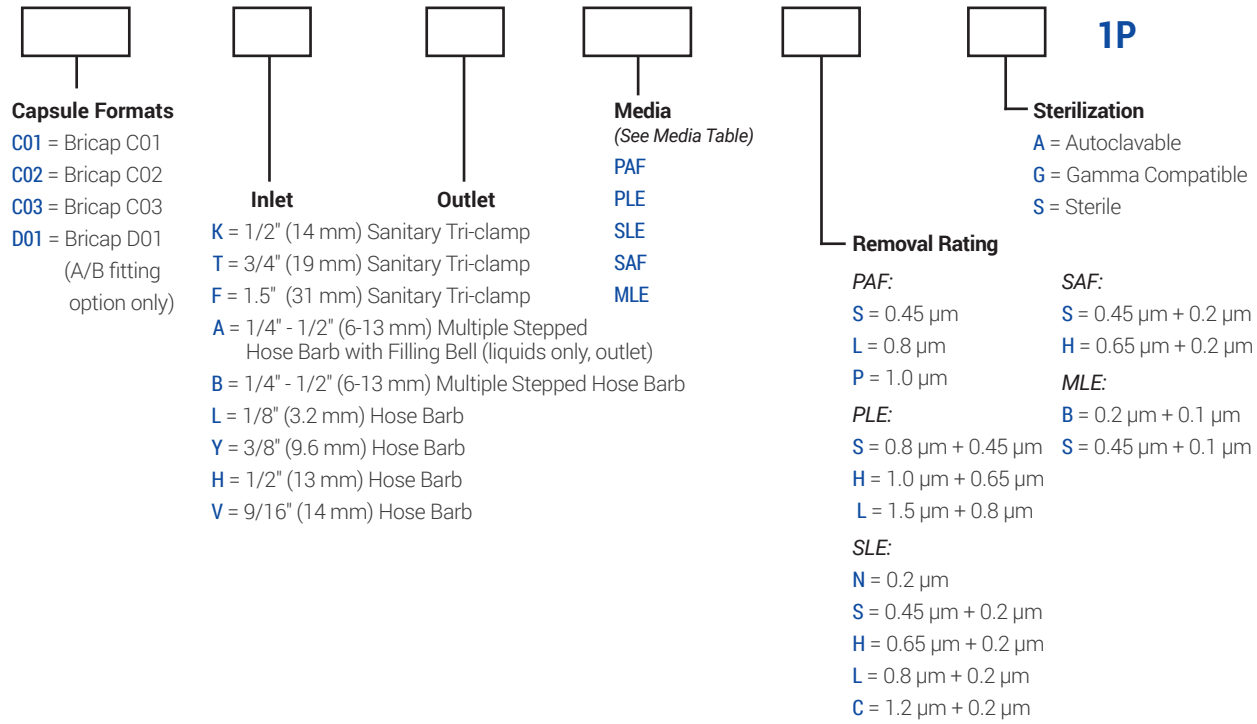
**DIMENSIONS - BRICAP DISC FILTER**



**A50**

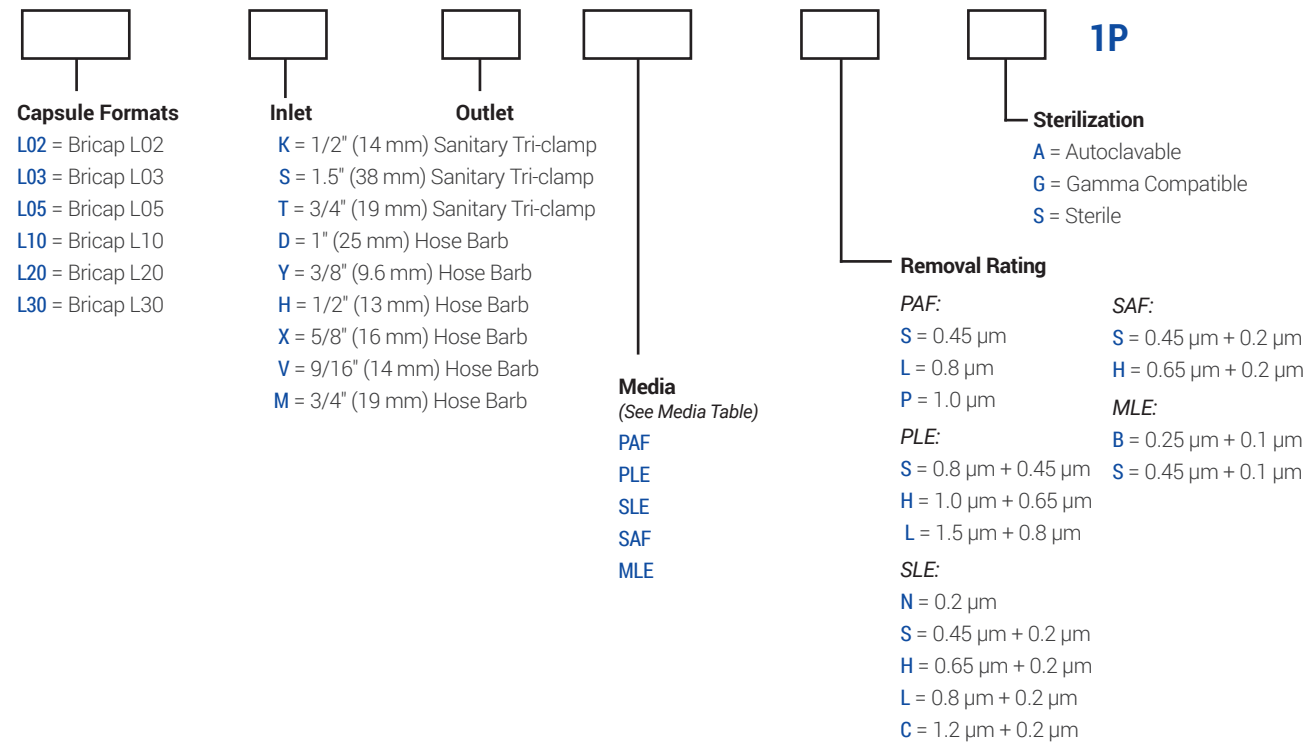
**PURCISE SERIES BRICAP C/D SMALL CAPSULE FILTERS - ORDERING INFORMATION**

EXAMPLE: **C01TTPLESS1P** = Bricap C01, 3/4" Tri-Clamp I/O, dual-layer PES, 0.8 µm + 0.45 µm, sterile



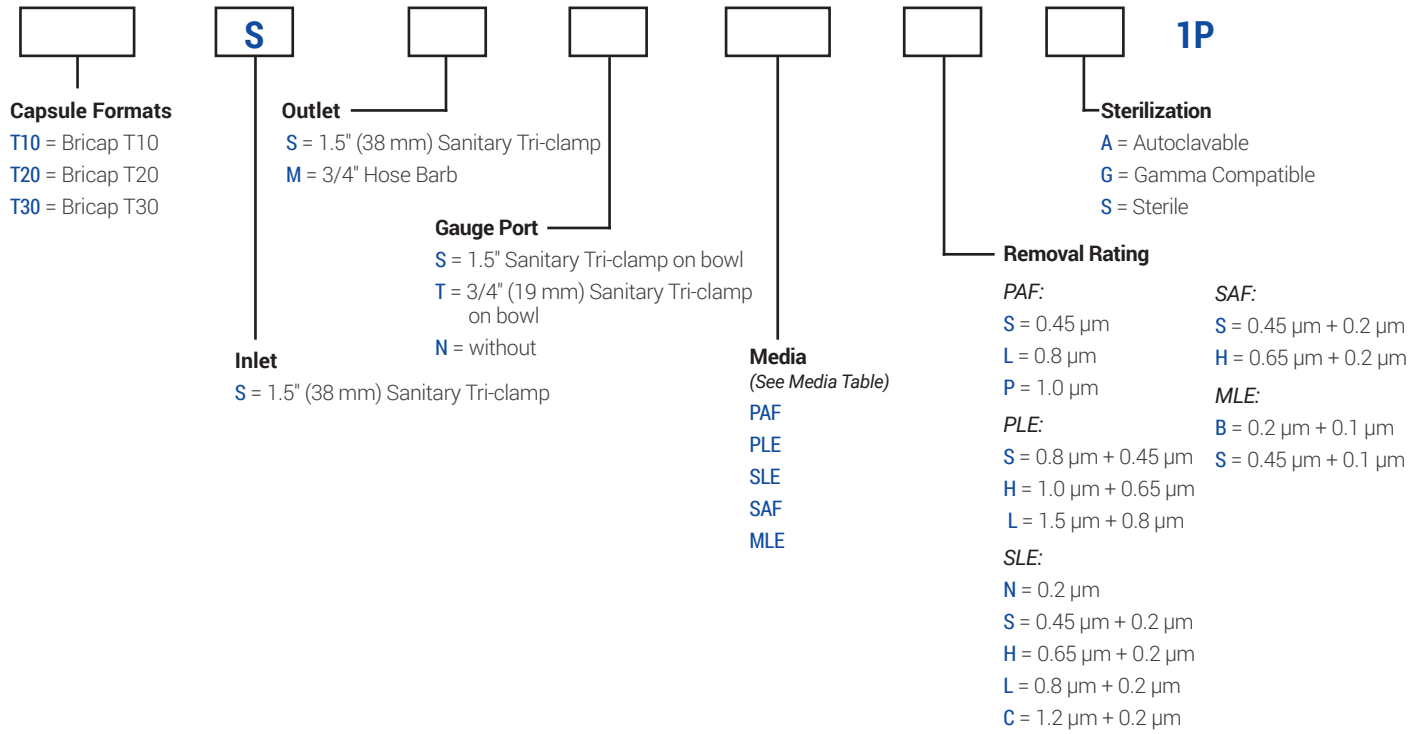
**PURCISE SERIES BRICAP INLINE CAPSULE FILTERS - ORDERING INFORMATION**

EXAMPLE: **L03SSPLESS1P** = Inline Bricap, 10", 1.5" Tri-Clamp I/O, dual-layer PES, 0.8 µm + 0.45 µm, sterile



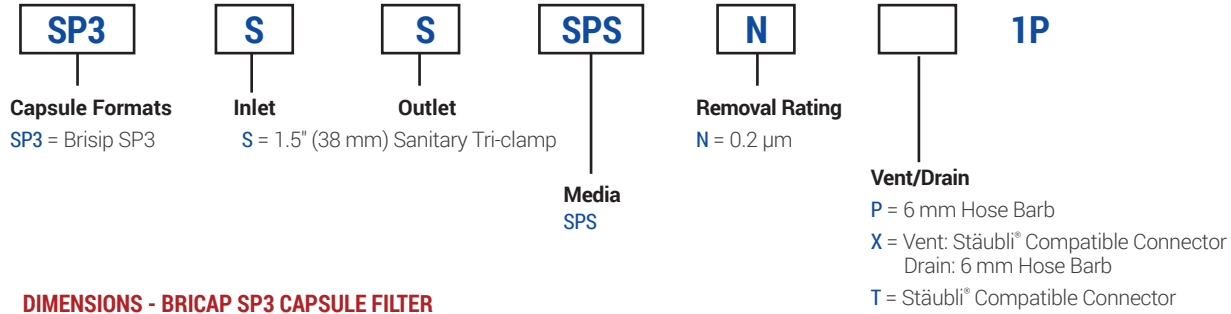
**PURCISE BRICAP T CAPSULE FILTERS - ORDERING INFORMATION**

EXAMPLE: **T10SSSPLESS1P** = T-line Bricap, 10", 1.5" Tri-Clamp I/O, dual-layer PES, 0.8 µm + 0.45 µm, sterile

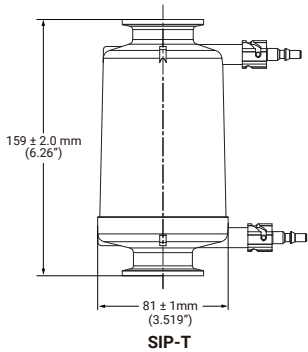


**PURCISE STEAM-IN-PLACE BRISIP CAPSULE FILTERS - ORDERING INFORMATION**

EXAMPLE: **SP3SSSPSNP1P** = Brisip SP3 capsule, 38 mm sanitary tri-clamp, PES membrane, 0.2 µm removal rating, 6 mm hose barb



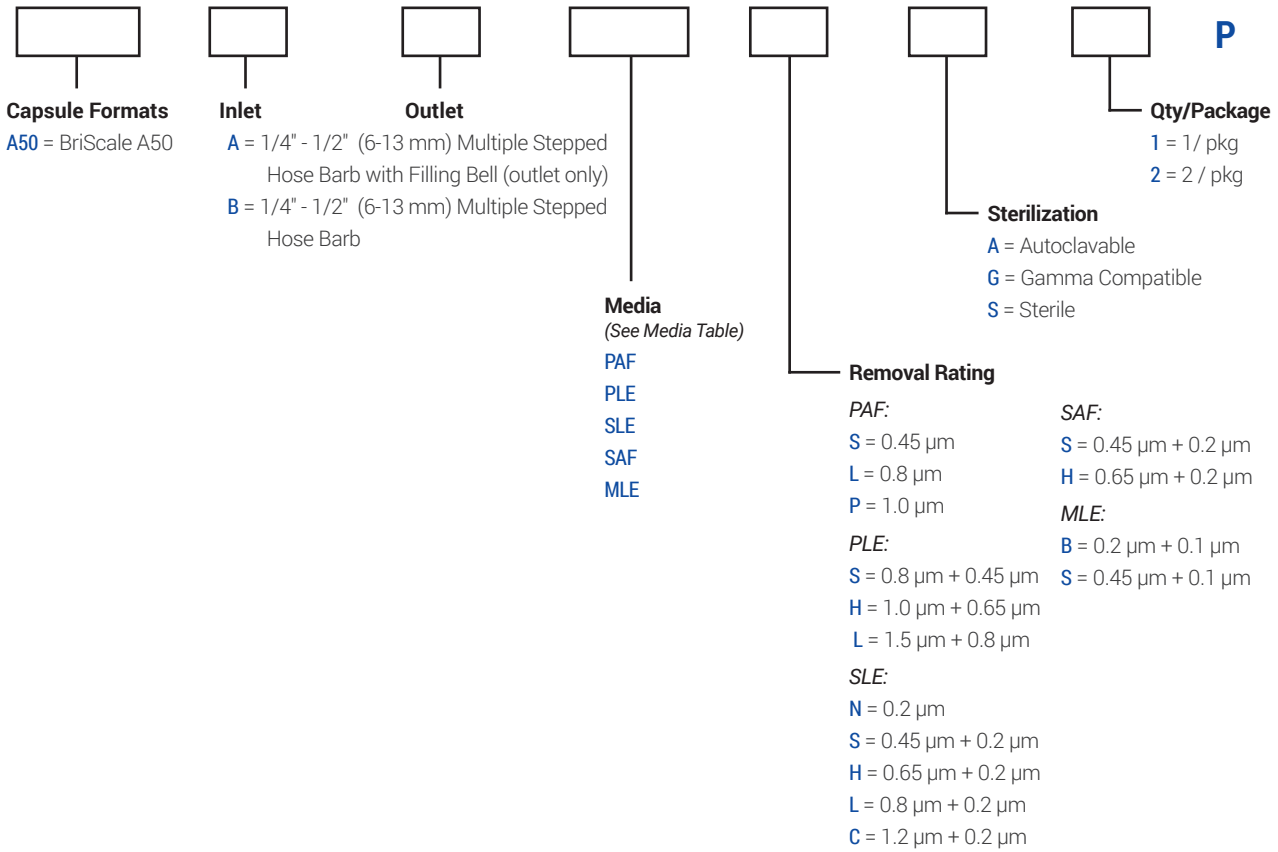
**DIMENSIONS - BRICAP SP3 CAPSULE FILTER**





**PURCISE BRISCALE® DISC LIQUID FILTER - ORDERING INFORMATION**

EXAMPLE: **A50BAPAFPS1P** = BriScale A50, 1/4" - 1/12" multi-stepped hose barb with filling bell, PES media, 1.0 µm, sterilized, 2/pkg



**BANNER INDUSTRIES IS THE EXCLUSIVE DISTRIBUTOR FOR COBETTER PRODUCTS IN THE USA**  
 Visit [www.bannerindustries.com](http://www.bannerindustries.com) and select the Contact Us link to find the location nearest you. The Banner Industries of N.E., Inc. Terms and Conditions of Sale apply and are fully and expressly incorporated herein by reference and constitute a part of any contract for the purchase of the products described herein.

[www.bannerindustries.com](http://www.bannerindustries.com) | Technical Sales: [filtration@bannerindustries.com](mailto:filtration@bannerindustries.com)

CBBPP1119 Rev. 06122022  
 Copyright © 2022 Banner Industries, Inc. All rights reserved.  
 Purcise® and BriScale® are registered trademarks of Cobetter Filtration Equipment Co., Ltd  
 Stäubli is a trademark of Stäubli International AG.