

MINI CARTRIDGE FILTER SERIES

Designed for a wide range of low flow pharmaceutical, biological, food & beverage, and industrial filtration applications.

MINI CARTRIDGE FILTER SERIES

DESIGNED FOR A WIDE RANGE OF LOW FLOW APPLICATIONS

Cobetter® Mini Cartridge Filters are available in varying sizes and filter media including depth filters, liquid sterile-grade filters and gas filters, they were developed to meet a wide range of pharmaceutical, biological, and food & beverage filtration requirements.

The Mini Cartridge Filter Series contains a wide-range of filtration media options (PTFE, PES, PVDF, and PP), in a variety of filter sizes and effective filtration areas.



FEATURE

BENEFIT

Available in a variety of filtration media (PTFE/PES/PVDF/PP)

Filters available with media options to match the specific flow, retention, and performance requirements of low-flow pharmaceutical, biological, and food & beverage filtration applications.

No surfactants or binders

Clean, low-extractable filters

QUALITY STANDARDS

Quality Assurance

These products are manufactured in a facility which adheres to ISO 9001 Practices.

TOC / Conductivity at 25°C

Autoclaved filter effluent meets the USP <643> for Total Organic Carbon and USP <645> for Water Conductivity per WFI requirements after a UPW flush of specified volume.

Particle Shedding

Autoclaved filter effluent meets the requirements in USP <788> for large volume injections

Non-Fiber Releasing

Component materials meet the criteria for a "Non-fiber-releasing filter" as defined in 21 CFR 210.3 (b) (6)

Bacterial Endotoxin

Aqueous extraction of autoclaved filter contains < 0.25 EU/mL as determined by Limulus; Amebocyte Lysate (LAL), USP <85>.

USP <87> Cytotoxicity

Meet the requirement of USP <87> In Vitro Cytotoxicity Test

USP <88> Biological Toxicity

Meet the criteria of the USP <88> Biological Reactivity Test for Class VI-121°C plastics.

Indirect Food Additive

All component materials meet the FDA Indirect Food Additive requirements cited in 21 CFR 177-182, and EU framework regulation [1935/2004/EC].

Typical Applications

- Biological Fluids
- Buffer Solutions
- Chemicals
- Cleaning and Disinfecting Solutions
- Injectable Solutions
- Gas Filtration

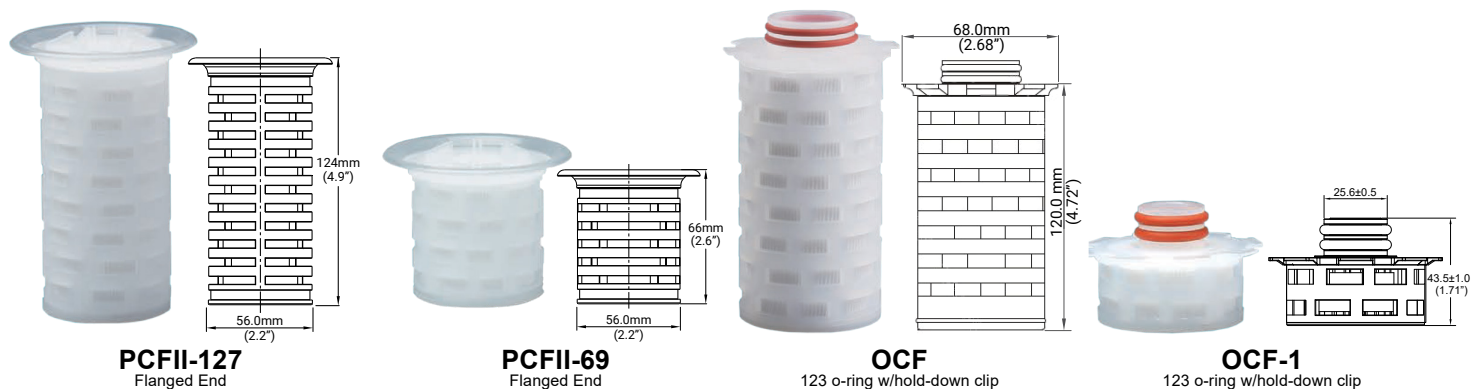
SPECIFICATIONS

Filter	Absoguard®	PoliFlow®	MultiPoly®	TefloGas™	TeflonFlow™	SteriPS®
Code	APP	HPP	PFSA2	GPFM	LPF	SPSHR
Filter Media	Absolute-Rated Depth Polypropylene (99%)	Polypropylene Media (Nominal) 90%	Multi-layer Nano Fiber Polypropylene	Hydrophobic PTFE Membrane (Gas)	Hydrophobic PTFE Membrane (Liquid)	Symmetric PES Membrane
Max. Operating Temperature	80°C	80°C	80°C	80°C	80°C	90°C
Max. Differential Pressure	0.4 MPa (4.0 bar, 58 psi) at 21°C 0.21 MPa (2.1 bar, 30.5 psi) at 80°C	0.69 MPa (6.9 bar, 100 psi) at 25°C 0.24 MPa (2.4 bar, 35 psi) at 80°C	0.69 MPa (6.9 bar, 100 psi) at 25°C 0.24 MPa (2.4 bar, 35 psi) at 80°C	0.69 MPa (6.9 bar, 100 psi) at 25°C 0.24 MPa (2.4 bar, 35 psi) at 80°C	0.69 MPa (6.9 bar, 100 psi) at 25°C 0.24 MPa (2.4 bar, 35 psi) at 80°C	0.4 MPa (4.0 bar, 58 psi) at 21°C 0.24 MPa (2.4 bar, 35 psi) at 90°C
EFFECTIVE FILTRATION AREA (by Cartridge Type)						
126-70	799.00 cm ²			1099.8 cm ²	1099.8 cm ²	799.00 cm ²
126	2023.00 cm ²			2784.6 cm ²	2784.6 cm ²	2023.00 cm ²
56-70-OBC	2196.00 cm ²			3045.12 cm ²	3045.12 cm ²	2342.00 cm ²
56-70	1080.00 cm ²			1487.6 cm ²	1487.6 cm ²	1152.00 cm ²
56-84	1332.00 cm ²			1847.8 cm ²	1847.8 cm ²	1420.80 cm ²
56	2074.00 cm ²			2854.8 cm ²	2854.8 cm ²	2074.00 cm ²
PCF	1057.40 cm ²			1455.48 cm ²	1455.48 cm ²	1057.40 cm ²
PCF-134	2074.00 cm ²			2620.8 cm ²	2620.8 cm ²	1904.00 cm ²
SLV	480.00 cm ²			585.6 cm ²	585.6 cm ²	456.00 cm ²
SLV-72	960.00 cm ²			1171.2 cm ²	1171.2 cm ²	912.00 cm ²
SLV-120	1920.00 cm ²			2342.4 cm ²	2342.4 cm ²	1824.00 cm ²
M118	1920.00 cm ²			2342.4 cm ²	2342.4 cm ²	1824.00 cm ²
DH56	2023.00 cm ²			2784.6 cm ²	2784.6 cm ²	2023.00 cm ²
PCFII-127				2300.0 cm ²	2300.0 cm ²	
PCF11-69				1100.0 cm ²	1100.0 cm ²	

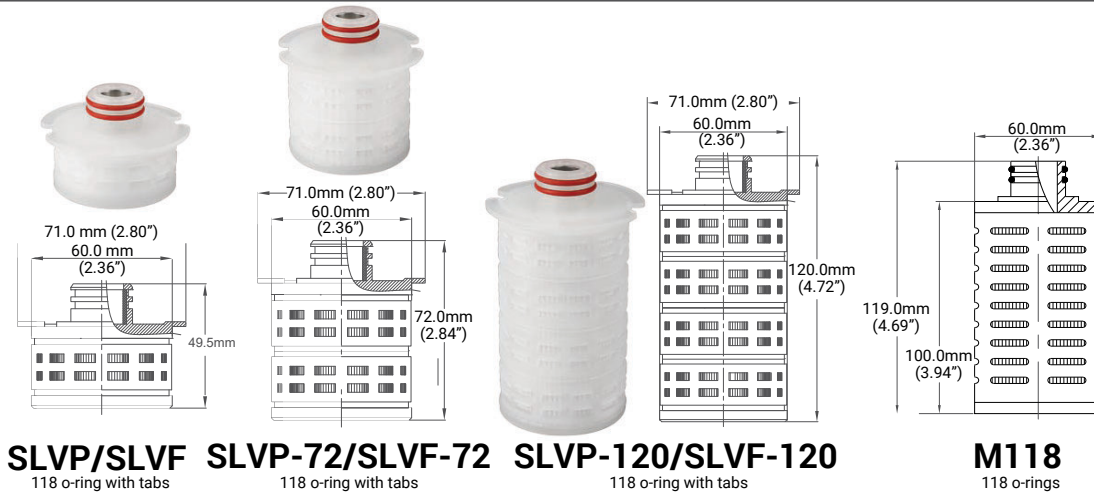
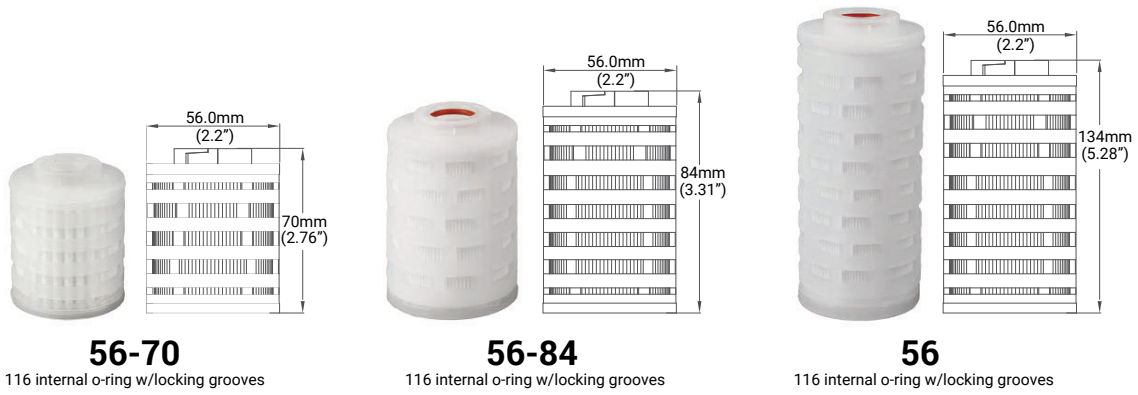
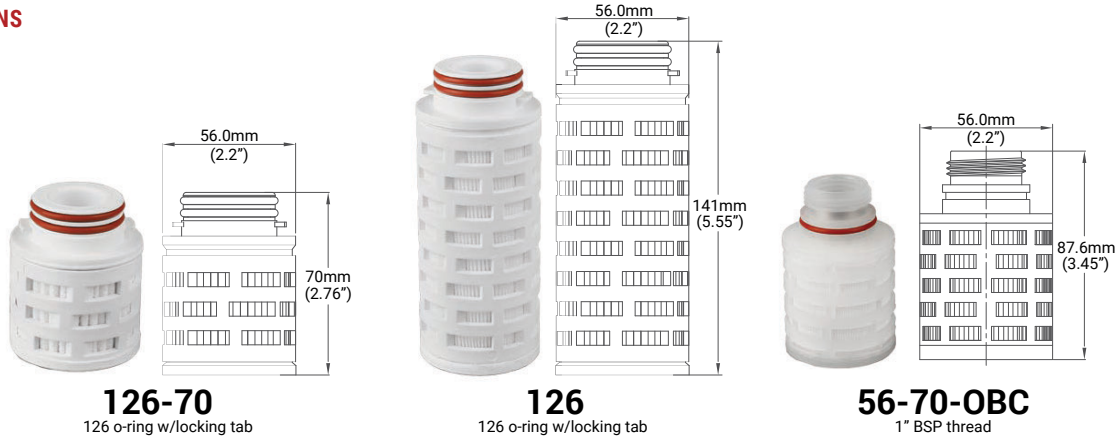
SPECIFICATIONS

Filter	AdvanLife®	DuraDunty®	FluoroPV®	FluoroPV®	DN66T™	LPV
Code	APSB	DPSDDT	LHPVND	DLHPVNDR	DN66T	LPV
Filter Media	Asymmetric PES Membrane	Double-Layer Hydrophilic PES Membrane	PVDF Membrane	Dual-Layer PVDF Membrane	Dual-Layer Nylon 66	Hydrophobic PVDF
Max. Operating Temperature	80°C	90°C	80°C	80°C	80°C	80°C
Max. Differential Pressure	0.69 MPa (6.9 bar, 100 psi) at 25°C 0.24 MPa (2.4 bar, 35 psi) at 90°C	0.4 MPa (4.0 bar, 58 psi) at 21°C 0.24 MPa (2.4 bar, 35 psi) at 90°C	0.69 MPa (6.9 bar, 100 psi) at 25°C 0.24 MPa (2.4 bar, 35 psi) at 80°C	0.69 MPa (6.9 bar, 100 psi) at 25°C 0.24 MPa (2.4 bar, 35 psi) at 80°C	0.69 MPa (6.9 bar, 100 psi) at 25°C 0.24 MPa (2.4 bar, 35 psi) at 80°C	0.69 MPa (6.9 bar, 100 psi) at 25°C 0.24 MPa (2.4 bar, 35 psi) at 80°C
EFFECTIVE FILTRATION AREA (by Cartridge Type)						
126-70	799.00 cm ²	799.00 cm ²	799.00 cm ²	799.00 cm ²		799.00 cm ²
126	2023.00 cm ²	2023.00 cm ²	2023.00 cm ²	2023.00 cm ²		2023.00 cm ²
56-70-OBC	2342.40 cm ²	2342.40 cm ²	2049.60 cm ²	2342.40 cm ²		2049.60 cm ²
56-70	1152.00 cm ²	1152.00 cm ²	1008.00 cm ²	1152.00 cm ²		1008.00 cm ²
56-84	1420.80 cm ²	1420.80 cm ²	1243.20 cm ²	1420.80 cm ²		1243.20 cm ²
56	2074.00 cm ²	2074.00 cm ²	2074.00 cm ²	2074.00 cm ²		2074.00 cm ²
PCF	1057.40 cm ²	1057.40 cm ²	1057.40 cm ²	1057.40 cm ²		1057.40 cm ²
PCF-134	1904.00 cm ²	1904.00 cm ²	1904.00 cm ²	1904.00 cm ²		1904.00 cm ²
SLVP/SLVF	456.00 cm ²	456.00 cm ²	-	-		-
SLVP-72/SLVF-72	912.00 cm ²	912.00 cm ²	-	-		-
SLVP-120/SLVF-120	1824.00 cm ²	1824.00 cm ²	-	-		-
M118	1824.00 cm ²	1824.00 cm ²	-	-		-
DH56	2023.00 cm ²	2023.00 cm ²	2023.00 cm ²	2023.00 cm ²		2023.00 cm ²
PCFII-127						
PCF11-69						

DIMENSIONS



DIMENSIONS



NOTE: SLVP versions are for PALL® replacements, SLVF is for Sartorius® replacements.

ORDERING INFORMATION

EXAMPLE: **56-APP0050SP** = 116 o-ring with locking groove, 124 mm (5.28 in.), Absolute-Rated Polypropylene, 0.5 µm, silicone seal, for pharmaceutical applications



BANNER INDUSTRIES IS THE EXCLUSIVE DISTRIBUTOR FOR COBETTER PRODUCTS IN THE USA
 Visit www.bannerindustries.com and select the Contact Us link to find the location nearest you. The Banner Industries of N.E., Inc. Terms and Conditions of Sale apply and are fully and expressly incorporated herein by reference and constitute a part of any contract for the purchase of the products described herein.

www.bannerindustries.com | Technical Sales: filtration@bannerindustries.com

CBPP1096 Rev. 03102022

Copyright © 2022 Banner Industries, Inc. All rights reserved.

AdvanLife, Absoguard, DuraDunty, FluoroPV, MultiPoly, PolIFlow, and SteriPS, are registered trademarks of Cobetter Filtration Equipment Co., Ltd.
 DN66T, TefloFlow, and TefloGas are trademarks of Cobetter Filtration Equipment Co., Ltd.
 Pall is a trademark of Pall Corporation. Sartorius is a trademark of Sartorius AG.