



**MELTGRADIENT™ PP DEPTH FILTERS  
WITH ABSOLUTE FILTRATION RATE**

Melt-blown polypropylene filters with inner layer of interwoven high-density nano-fibers. Ideal for filtering inks, coatings, solvents, water, etc.

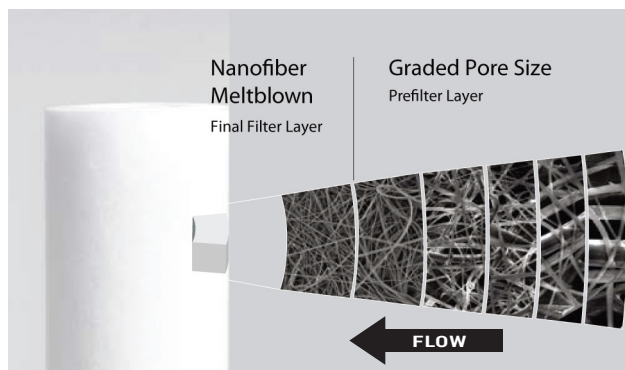
## MELTGRADIENT™ DEPTH FILTER

### POLYPROPYLENE MICROFIBER FOR FINAL FILTRATION OF PIGMENT-BASED INKS, CERAMIC INKS, AND DISPERSE INK JET INKS

Meltgradient™ Series Depth Filters are made of melt-blown polypropylene with gradient pores and an inner layer of interwoven high-density nano-fibers. The cartridge is capable of efficiently capturing particles of different sizes with a great flow rate and lifetime. The polypropylene raw material meets FDA requirements with extensive chemical compatibility, suitable for filtering inks, coatings, solvents, water, etc.



FEATURE	BENEFIT
<b>Melt-blown polypropylene media with gradient pores and inner layer of interwoven high-density nano-fibers</b>	Provides high contaminant hold capacity and high removal efficiency at low pressure drop
	>99.9% particle retention efficiency at rated pore size
	Long service life, high flow rate due to the different linear diameters and unique interwoven density control process. Meltgradient has a porosity far beyond that of similar products, which results in lower pressure loss across the cartridge and higher contaminant-holding capacity.
	Long fiber fusion and spray process with continuous fiber hot-melt interweave results in a rich and stable pore structure and high-purity filtration. No adhesive or surfactant, no silicone oil, low precipitate.
	All polypropylene construction provides excellent chemical compatibility. Fully polypropylene structure with reinforced center bar and optional external frame/end cover. Ruggedly constructed, the cartridge can withstand up to 4 bar differential pressure without core deformation.
	Wide range of filtration rates from 0.3 μm to 120 μm to meet various operation conditions.
<b>Quality Assurance</b>	Manufactured in a facility which adheres to ISO 9001 Practices. 100% Integrity tested and lot traceable.
<b>Particle shedding</b>	Autoclaved filter effluent meets the requirements in USP <788> for large volume parenterals.
<b>Non-fiber release</b>	Component materials meet the criteria for a "Non-fiber-releasing filter" as defined in 21 CFR210.3 (b) (6).



#### Typical Applications

- Pigment Inks
- Dye-based Inks
- UV Inks
- Ceramic Inks
- Disperse Inks

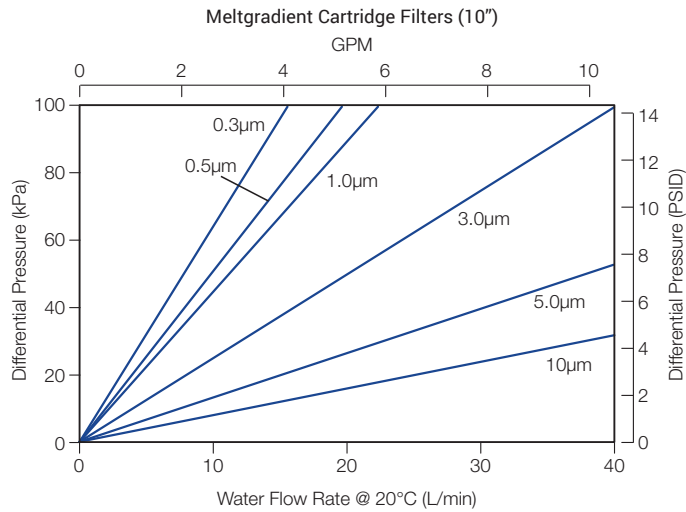
## SPECIFICATIONS

<b>Filter media</b>	Polypropylene (melt-blown) with interwoven high-density nano-fiber inner layer
<b>Support layer</b>	Polypropylene
<b>Core/cage/end caps</b>	Polypropylene
<b>O-rings</b>	Silicone, EPDM, FKM, FEP/PFA encapsulated FKM
<b>Diameter</b>	O.D.: 2.51" (64 mm) or 2.68" (68 mm) I.D.: 1.10" (28 mm)
<b>Max. operating temperature</b>	80°C
<b>Max. differential pressure</b>	0.40 MPa (4.0 bar, 58 psi) at 21°C

## RETENTION

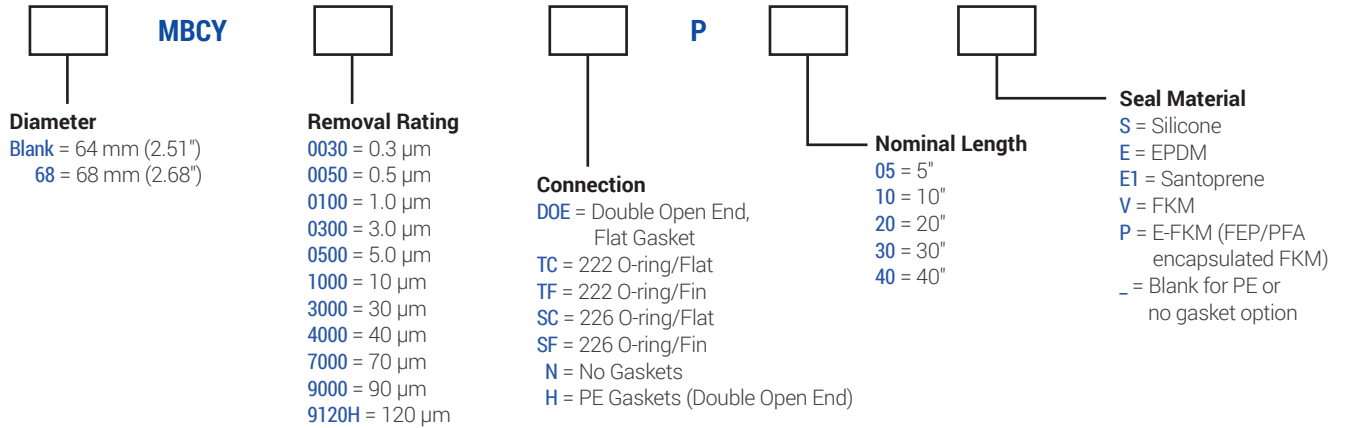
Particle Range	Filter Code							
	0030 (0.3 µm)	0050 (0.5 µm)	0100 (1.0 µm)	0300 (3.0 µm)	0500 (5.0 µm)	1000 (10 µm)	1500 (15 µm)	3000 (30 µm)
≥0.3 µm	99.97%	99.89%	-	-	-	-	-	-
≥0.5 µm	99.99%	99.98%	95.73%	-	-	-	-	-
≥1.0 µm	100%	100%	99.98%	-	-	-	-	-
≥2.0 µm	100%	100%	100%	99.0%	97.3%	-	-	-
≥3.0 µm	100%	100%	100%	99.8%	98.3%	-	-	-
≥5.0 µm	100%	100%	100%	100%	99.9%	89.1%	-	-
≥8.0 µm	100%	100%	100%	100%	100%	99.2%	90.6%	-
≥10 µm	100%	100%	100%	100%	100%	99.9%	99.0%	-
≥12 µm	100%	100%	100%	100%	100%	100%	99.8%	86.5%
≥25 µm	100%	100%	100%	100%	100%	100%	100%	93.6%
≥35 µm	100%	100%	100%	100%	100%	100%	100%	99.9%
≥50 µm	100%	100%	100%	100%	100%	100%	100%	100%
≥70 µm	100%	100%	100%	100%	100%	100%	100%	100%
≥90 µm	100%	100%	100%	100%	100%	100%	100%	100%

## FLOW RATES



## ORDERING INFORMATION

EXAMPLE: **68MBCY0100TFP10E** = 68 mm dia, 1.0 µm, 222/Fin, 10" length filter with EPDM seals



BANNER INDUSTRIES IS THE EXCLUSIVE DISTRIBUTOR FOR COBETTER PRODUCTS IN THE USA  
Visit [www.bannerindustries.com](http://www.bannerindustries.com) and select the Contact Us link to find the location nearest you. The Banner Industries of N.E., Inc. Terms and Conditions of Sale apply and are fully and expressly incorporated herein by reference and constitute a part of any contract for the purchase of the products described herein.

[www.bannerindustries.com](http://www.bannerindustries.com) | Technical Sales: [filtration@bannerindustries.com](mailto:filtration@bannerindustries.com)

CBBPP1079 Rev. 08062020  
Copyright © 2020 Banner Industries, Inc. All rights reserved.  
Meltgradient™ is a trademark of Cobetter Filtration Equipment Co., Ltd.