

H-SCF / H-SPF 126 Mini Filter Housings

STAINLESS STEEL DURABLE AND RELIABLE FILTER HOUSINGS FOR LOW FLOW APPLICATIONS

Cobetter 126 Mini Filter Housing Series and 126 Mini Filter Cartridges meet the high filtration demands of pharmaceutical and other applications. The 316L stainless steel cage guarantees durable and reliable performance and corrosion resistance. With a simple design and appearance, this housing/filter series is easy to use, clean, and is designed to eliminate residual loss.

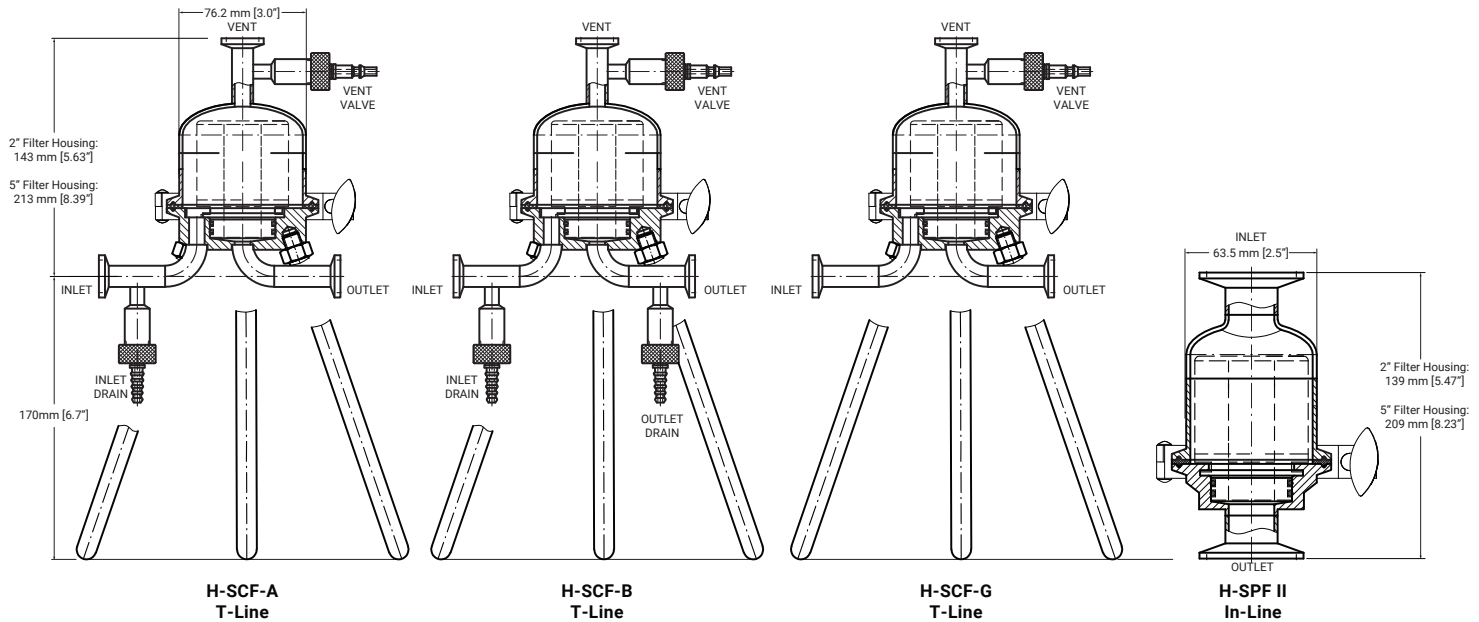
FEATURE	BENEFIT
Mirror Polish; Internal Electro-Polished Surfaces	Provides a clean, corrosion-resistant filtration environment for demanding cleanliness applications.
Multiple Housing Configurations	Available with inlet/outlet or with inlet/outlet and integrated vent/drain to allow easy installation and retrofit in a variety of locations.
Quality assurance	These products are manufactured in a facility which adheres to ISO 9001 Practices.
SPECIFICATIONS	
Surface Finish	Polish Type: Mirror Polish; Internal Electro-polished Surface Options: Internal Ra: 0.38 µm (15 µin) External Ra: 0.4 µm (16 µin)
Materials of Construction	Housing Body: 304; 316L Vent/Drain: 304; 316L (see ordering page for options) Clamp: 304 O-ring/Gaskets: Silicone, FMK, EPDM
Operating Conditions	Max. Operating Pressure: 0.6 Mpa (6 bar, 87 psi) Max. Operating Temperature: 90°C (194°F) Design Temperature: 140°C (284°F) Steam Sterilization: In-situ / Autoclave @121°C for 30 minutes
Cartridge Type	Dual 126 o-rings with locking tabs, 2" & 5" lengths



Typical Applications

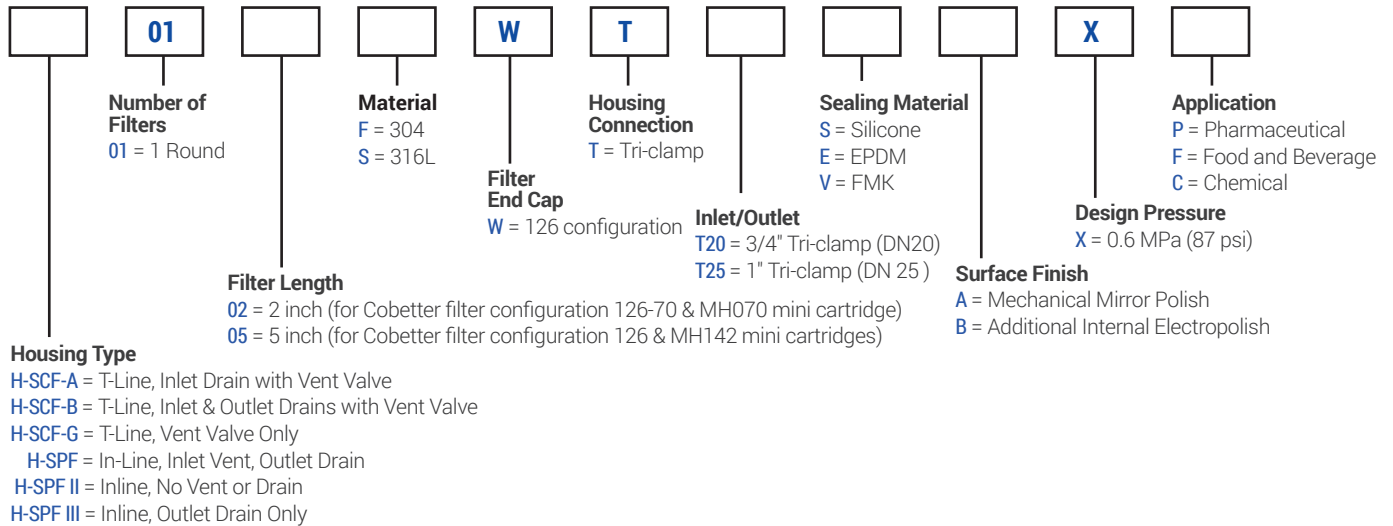
- Low Flow
- Laboratory
- Small Volumes
- Evaluations

DIMENSIONS



ORDERING INFORMATION

EXAMPLE: **H-SCF-A0105SWT20VAXP** = H-SCF T-Line, with inlet drain and vent valve, one 5" filter, 316L SS, 126 configuration, Tri-clamp housing connection, 3/4" Tri-clamp I/O, with FKM seals, mirror polished, 87 psi, for pharmaceutical applications



BANNER INDUSTRIES IS THE EXCLUSIVE DISTRIBUTOR FOR COBETTER PRODUCTS IN THE USA
 Visit www.bannerindustries.com and select the Contact Us link to find the location nearest you. The Banner Industries of N.E., Inc. Terms and Conditions of Sale apply and are fully and expressly incorporated herein by reference and constitute a part of any contract for the purchase of the products described herein.

CBBPP1095 Rev. 06152021
 Copyright © 2021 Banner Industries, Inc. All rights reserved.