

H-DMF STAINLESS STEEL MEMBRANE HOLDERS

FOR A VARIETY OF INDUSTRIAL AND SANITARY APPLICATIONS

Cobetter H-DMF Stainless Steel Membrane Holders are designed for liquid/gas classification or sterilization by pressure filtration. Tri-Clamp sanitary inlet/outlet connections have no screw heads to trap contaminants and are easy to clean.

Housings are available in 47 mm, 90 mm, 142 mm, and 293 mm diameter configurations. Each component can be completely disassembled and cleaned. Sanitary grade finished polishing of Ra < 0.38 µm (15 µin.) make these housings suitable for a variety of sanitary industrial and chemical applications.

FEATURE	BENEFIT
Easy individual component disassembly	Each component can be completely disassembled and cleaned.
Tri-Clamp or screw connections	Design allows for safe, easy sealing of connection
Quality surface finishing	With an internal bowl Ra of 0.38 µm (15 µin.) the sanitary surface finish prevents entrapment or build-up of contaminants.

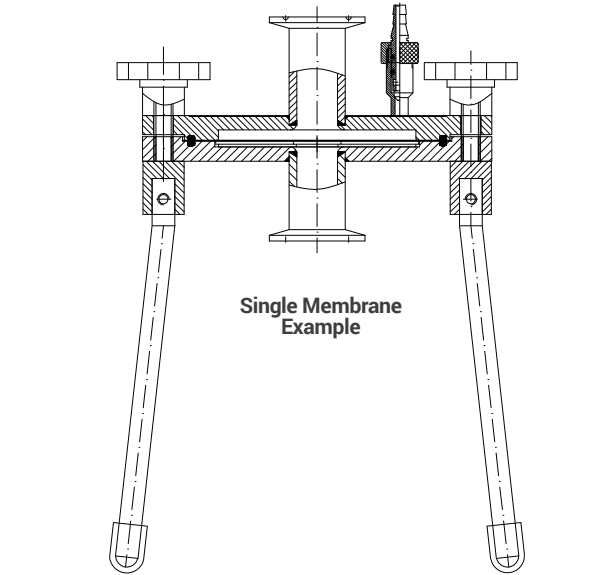
SPECIFICATIONS

Surface finish	Mirror Polish or mirror polish with an Extra Internal Electro-polish Internal Ra: 0.38 µm (15 µin.), External Ra: 0.4 µm (16 µin.)
Housing body	304 or 316L
Vent/Drain	304 or 316L
Clamp, Leg	304
O-ring/gaskets	Silicone, FKM, EPDM
Design pressure	0.6 MPa (6 bar, 87 psi)
Max. operating temperature	90°C (194°F); Design Temperature: 140°C (284°F)
Connections	Body Connection: Screwed Connection, Tri-Clamp Inlet/Outlet: Tri-clamp Vent: 4 mm can connect with 8 mm tube



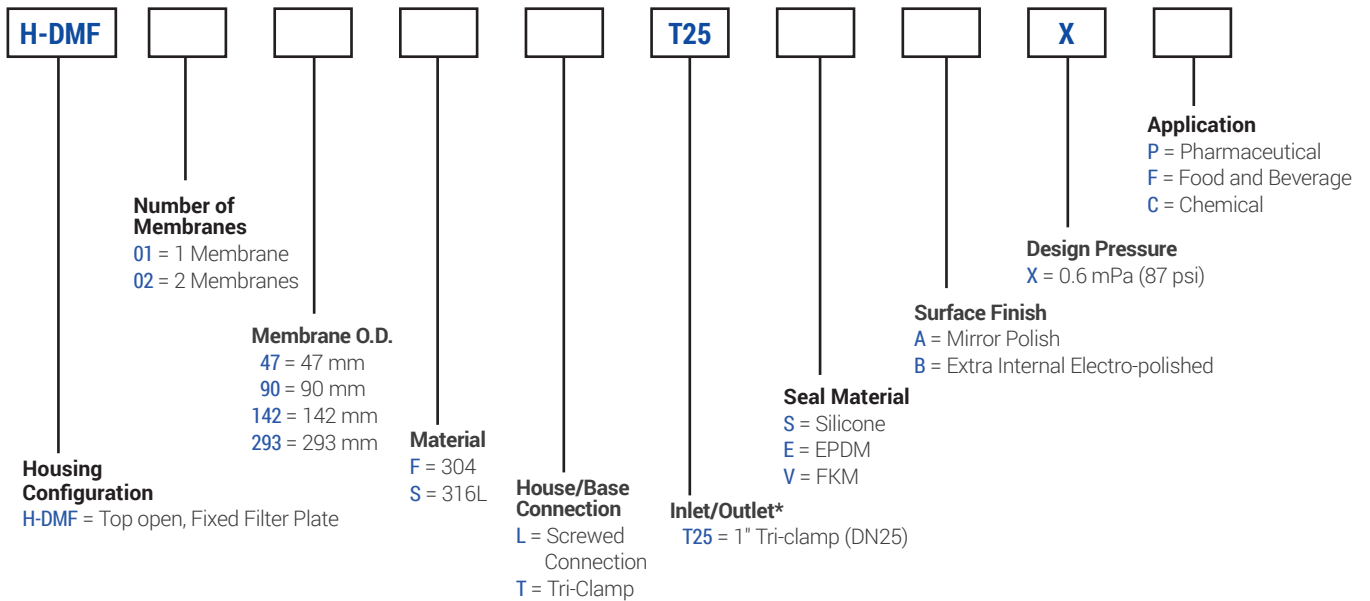
TYPICAL APPLICATIONS

- Pharmaceuticals
- Solvents
- Potable Liquids
- Industrial Liquids
- Coolants



ORDERING INFORMATION

EXAMPLE: **H-DMF0147STT25VBXP** = 1 membrane, 47 mm O.D., 316L, Tri-Clamp, FKM seals, electro-polished, 87 psi, pharmaceutical application



*Custom options available



BANNER INDUSTRIES IS THE EXCLUSIVE DISTRIBUTOR FOR COBETTER PRODUCTS IN THE USA
Visit www.bannerindustries.com and select the Contact Us link to find the location nearest you. The Banner Industries of N.E., Inc. Terms and Conditions of Sale apply and are fully and expressly incorporated herein by reference and constitute a part of any contract for the purchase of the products described herein.

www.bannerindustries.com | Technical Sales: filtration@bannerindustries.com

CBBPP1134 Rev. 06032020
Copyright © 2020 Banner Industries, Inc. All rights reserved.