

DN66TC NYLON FILTER SERIES

HYDROPHILIC NYLON 66 MEMBRANE FILTERS DESIGNED FOR BIO-BURDEN REDUCTION AND FINAL FILTRATION

DN66TC Filter Cartridges are composed of a dual layer of hydrophilic Nylon 66 membrane. These filters are specifically designed for bio-burden reduction and the final filtration of a wide range of pharmaceutical and biological solutions. The Nylon 66 membrane provides enhanced retention of fine particles.

FEATURE

BENEFIT

Hydrophilic Nylon 66 membrane

Lower bubblepoint for faster flow rates

Ideal for rapid wettability

100% integrity tested

Low pressure drop and high flow rates

Dual layer ensures longer service life, with added security

QUALITY STANDARDS

Quality Assurance

These products are manufactured in a facility which adheres to ISO 9001 Practices.

Bacterial Retention

Retention of 10^7 cfu/cm² *Brevundimonas diminuta* (ATCC® 19146) according to ASTM F838

TOC / Conductivity at 25°C

Autoclaved filter effluent meets the USP <643> for Total Organic Carbon and USP <645> for Water Conductivity per WFI requirements after a UPW flush of 40 L (10.5 gal)

Particle Shedding

Autoclaved filter effluent meets the requirements in USP <788> for large volume parenterals/injections.

Non-Fiber Releasing

Component materials meet the criteria for a "Non-fiber-releasing filter" as defined in 21 CFR 210.3 (b) (6)

Bacterial Endotoxin

Aqueous extraction of autoclaved filter contains < 0.25 EU/mL as determined by Limulus Amebocyte Lysate (LAL), USP <85>.

USP <87> Cytotoxicity

Meet the requirement of USP <87> In Vitro Cytotoxicity Test

USP <88> Biological Toxicity

Meet the criteria of the USP <88> Biological Reactivity Test for Class VI-121°C plastics

Indirect Food Additive

All component materials meet the FDA Indirect Food Additive requirements cited in 21 CFR 177-182.

SPECIFICATIONS

Filter media

Hydrophilic Nylon 66 membrane (Dual Layer)

Membrane Support

Polyester

Core/cage/end caps

Polypropylene

Effective filtration area

0.58 m² (6.24 ft²) / Ø71-10 inch

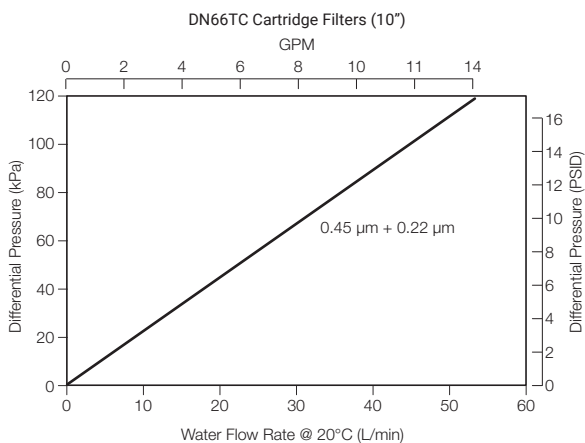


Typical Applications

- Buffer solutions
- WFI
- LVP & Antibiotics

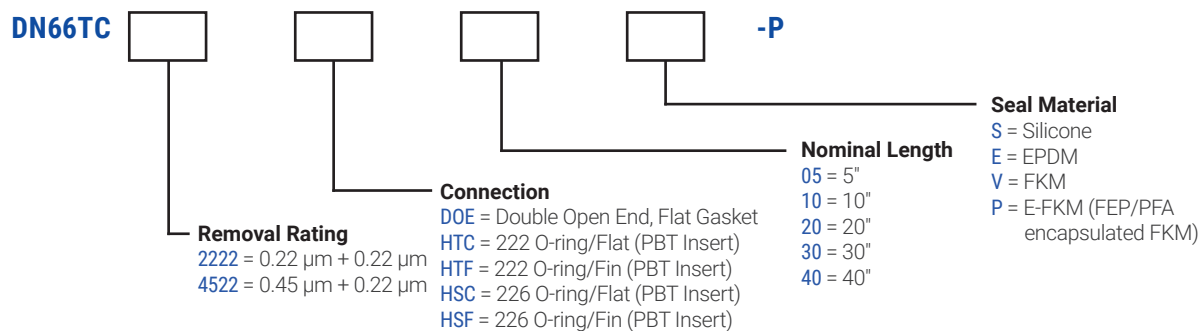
O-rings	Silicone, EPDM, FKM, FEP/PFA encapsulated FKM
O-ring internal insert	PBT
Cartridge diameter	69 mm (2.7 in.)
Max. Operating pressure	0.69 MPa (6.9 bar, 100 psi) at 25°C; 0.40 MPa (4.0 bar, 58 psi) at 60°C; 0.24 MPa (2.4 bar, 35 psi) at 80°C
Max. Differential pressure	Forward: 0.69 MPa (6.9 bar, 100 psi) at 25°C; 0.40 MPa (4.0 bar, 58 psi) at 60°C; 0.24 MPa (2.4 bar, 35 psi) at 80°C Reverse: 0.3 MPa (3.0 bar, 44 psi) at 25°C; 0.1 MPa (1.0 bar, 15 psi) at 80°C
Bubble point	≥0.38 MPa (3.8 bar, 55 psi) wetted with water of 20°C, 0.1 μm + 0.1 μm ≥0.34 MPa (3.4 bar, 49 psi) wetted with water of 20°C, 0.22 μm + 0.22 μm ≥0.30 MPa (3.0 bar, 44 psi) wetted with water of 20°C, 0.45 μm + 0.22 μm
Steam sterilization	up to 50 cycles for 30 minutes at 121°C at Max.Differential Pressure of 0.3 bar (4.3 psi)
Autoclave	up to 50 cycles for 30 minutes at 121°C

FLOW RATES

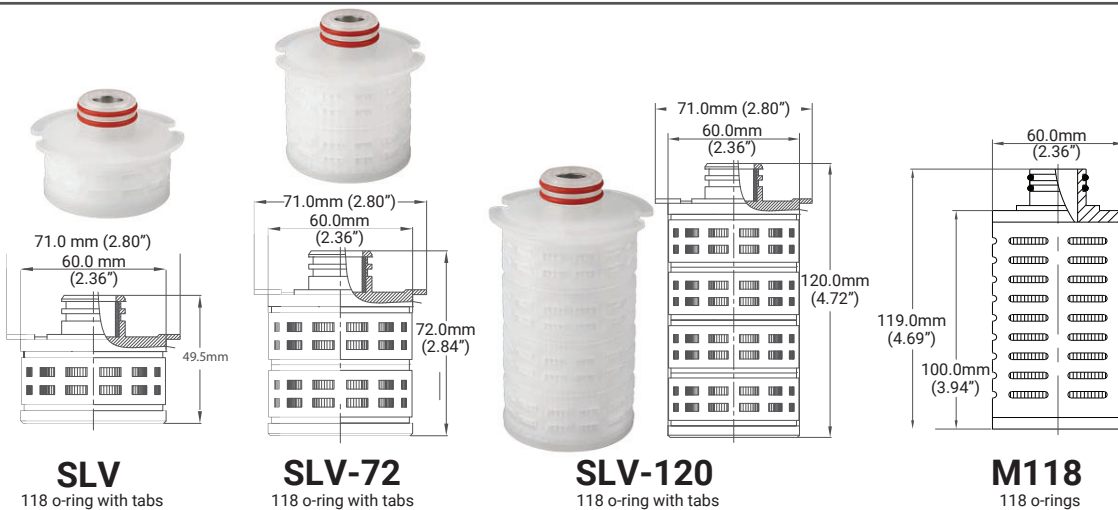
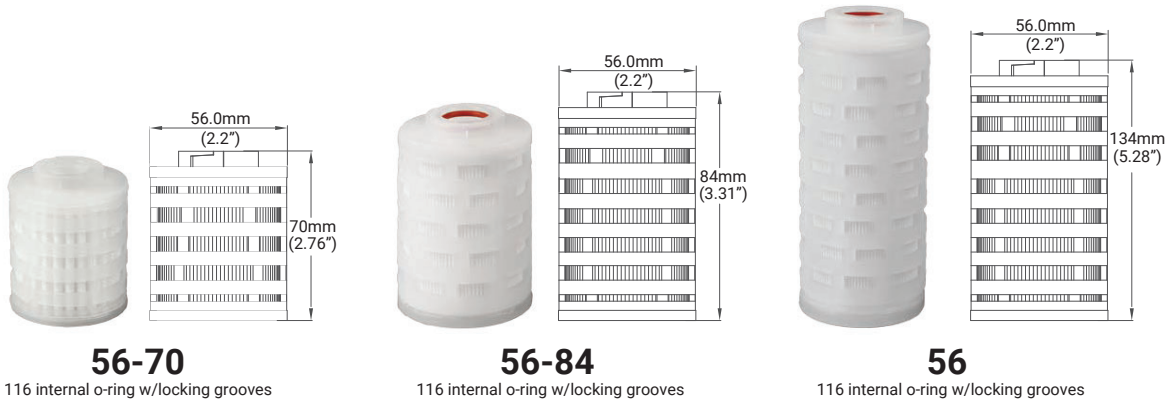
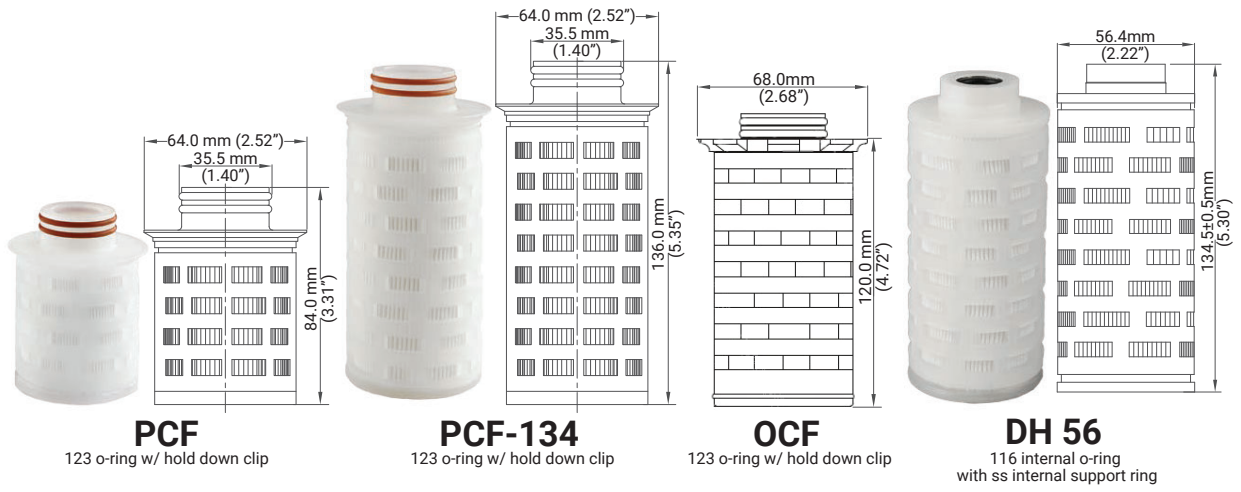
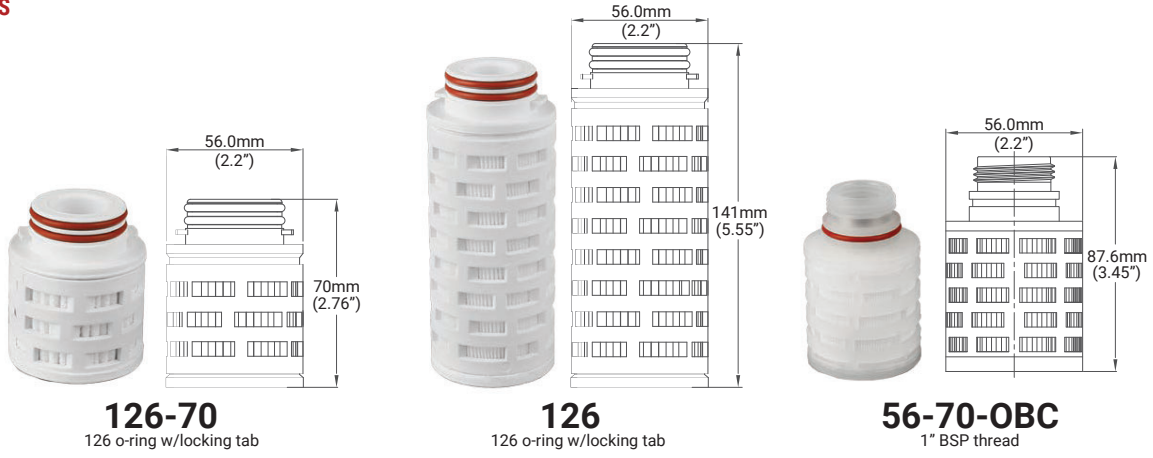


ORDERING INFORMATION

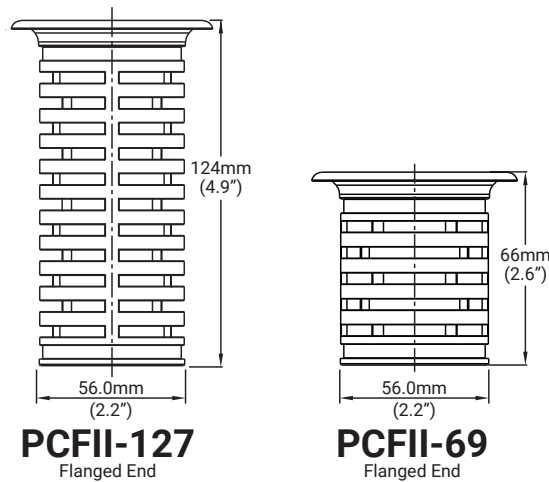
EXAMPLE: **DN66TC2222HSF10S-P** = 0.22 μm + 0.22 μm, 226/Fin, 10" filter with silicone seals



DIMENSIONS



DIMENSIONS



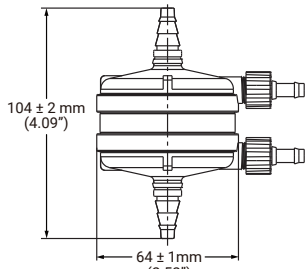
DN66PC POSITIVELY CHARGED NYLON SERIES - MINI CARTRIDGE ORDERING INFORMATION

EXAMPLE: **56-DN66TC0022SP** = 116 o-ring with locking groove, 124 mm (5.28 in.), nylon membrane, 0.2 µm, silicone seal, for pharmaceutical applications

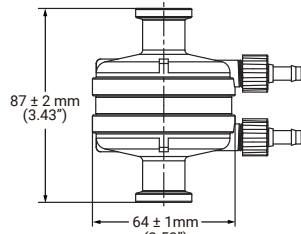
<div style="border: 1px solid black; width: 40px; height: 20px; margin: 0 auto;"></div>	-	DN66TC	<div style="border: 1px solid black; width: 40px; height: 20px; margin: 0 auto;"></div>	<div style="border: 1px solid black; width: 40px; height: 20px; margin: 0 auto;"></div>	<div style="border: 1px solid black; width: 40px; height: 20px; margin: 0 auto;"></div>
		Filter Code (see drawings)			Removal Rating
		<i>Internal 116 O-ring w/locking groove:</i> 56-70 = 70mm (2.76") 56-84 = 84mm (3.31") 56 = 134mm (5.28")		0022 = 0.22 µm 2222 = 0.22 µm + 0.22 µm 4522 = 0.45 µm + 0.22 µm	
		<i>Internal 116 O-ring w/ ss internal support ring:</i> DH 56 = 134.5mm (5.3")		Seal Material S = Silicone E = EPDM V = FKM P = E-FKM (FEPFA encapsulated FKM) *N = No seal	
		<i>123 O-ring w/hold down lip:</i> OCF = 120mm (4.72") PCF = 84mm (3.31") PCF-134 = 136mm (5.35")		Application P = Pharmaceutical F = Food and Beverage C = Chemical	
		<i>126 O-ring w/locking tab:</i> 126-70 = 70mm (2.76") 126 = 141mm (5.5")			
		<i>118 O-ring w/tabs:</i> SLV = 49.5mm (1.95") SLV-72 = 72mm (2.84") SLV-120 = 120mm (4.72")			
		<i>118 O-rings:</i> M118 = 119mm (4.69")			
		<i>1" BSP (British Standard Pipe Thread):</i> 56-70-OBC = 87.6mm (3.45")			
		<i>Flanged End (*No seal needed):</i> PCFII-127 = 124 mm (4.88") PCFII-69 = 66 mm (2.6")			

DIMENSIONS

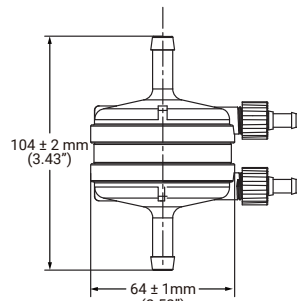
Bricap C01



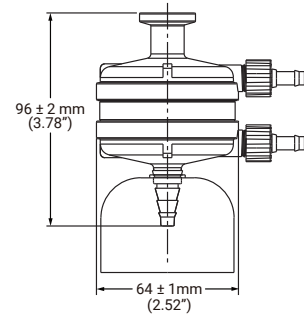
C01BB



C01TT

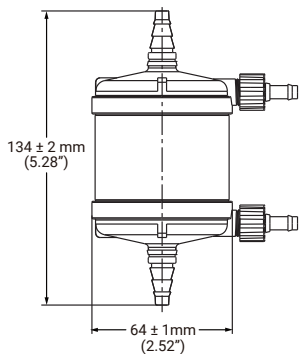


C01YY

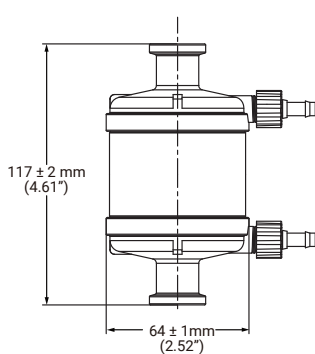


C01TA

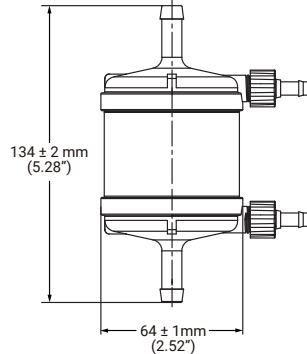
Bricap C02



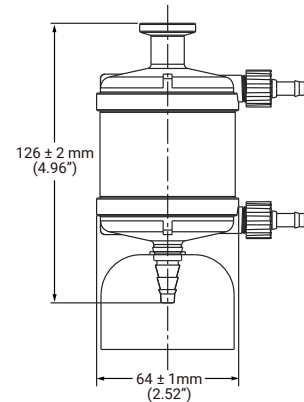
C02BB



C02TT

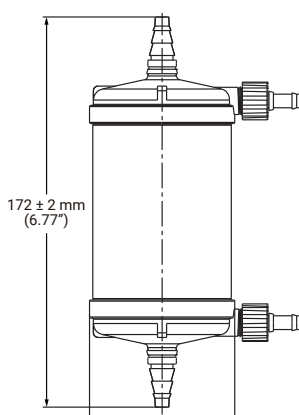


C02YY

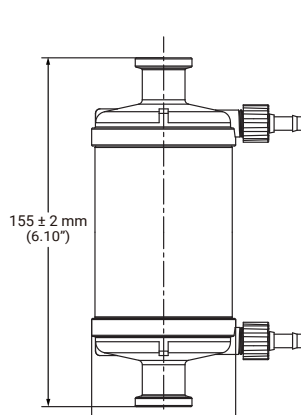


C02TA

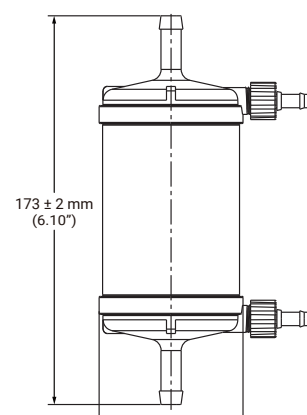
Bricap C03



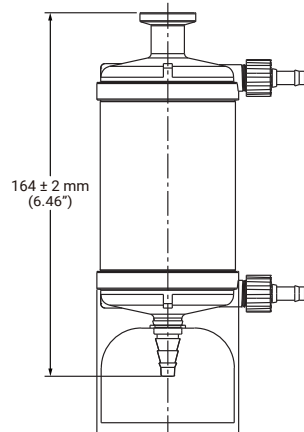
C03BB



C03TT



C03YY

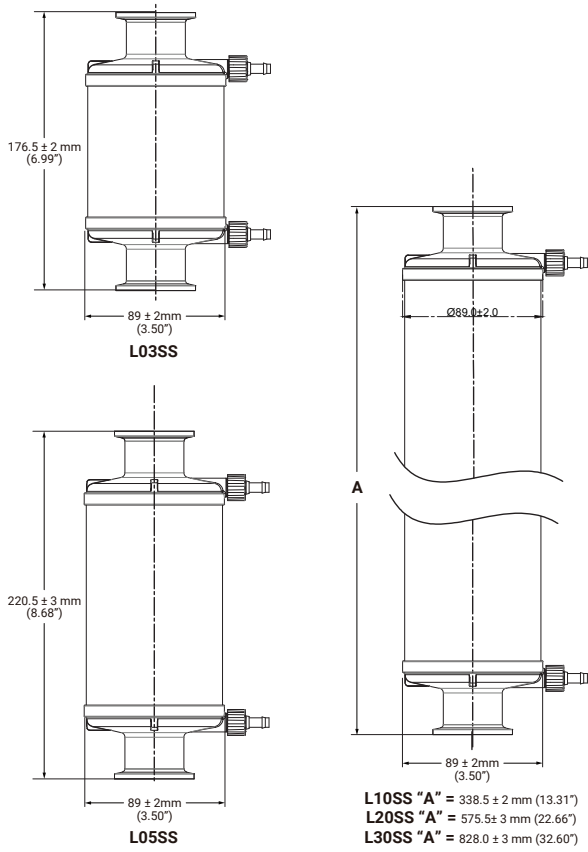


C03TA

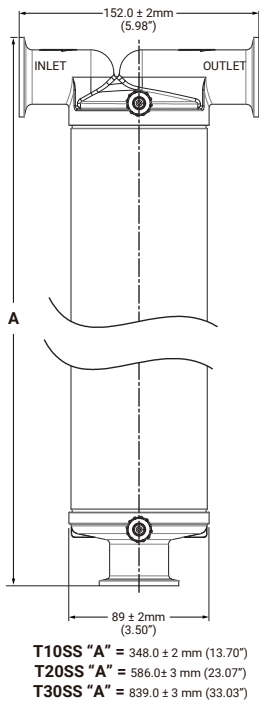
Max. Differential Pressure Capsules

0.55 MPa (5.5 bar, 80 psi) at 25°C
0.1 MPa (1.0 bar, 14.5 psi) at 80°C

DIMENSIONS - BICAP L

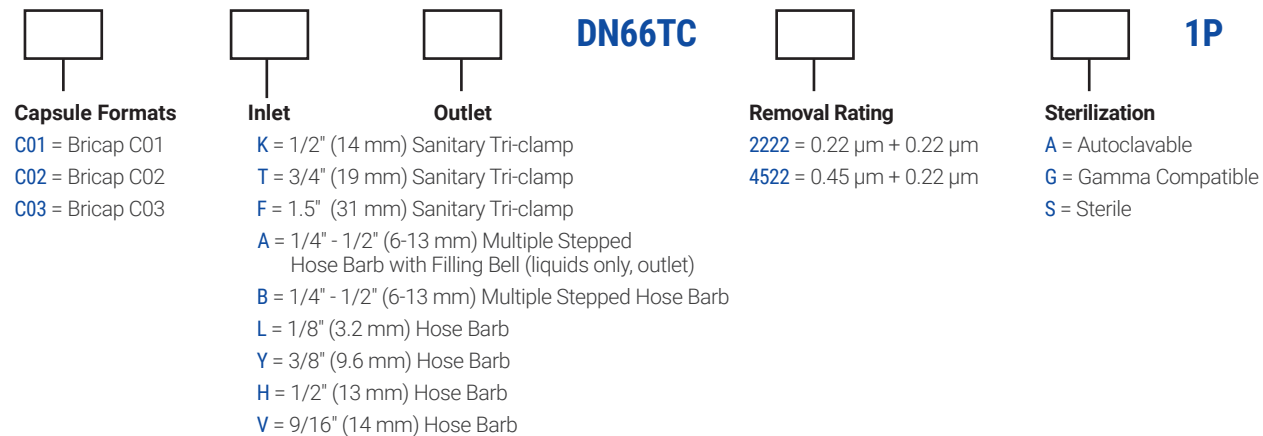


DIMENSIONS - BICAP T



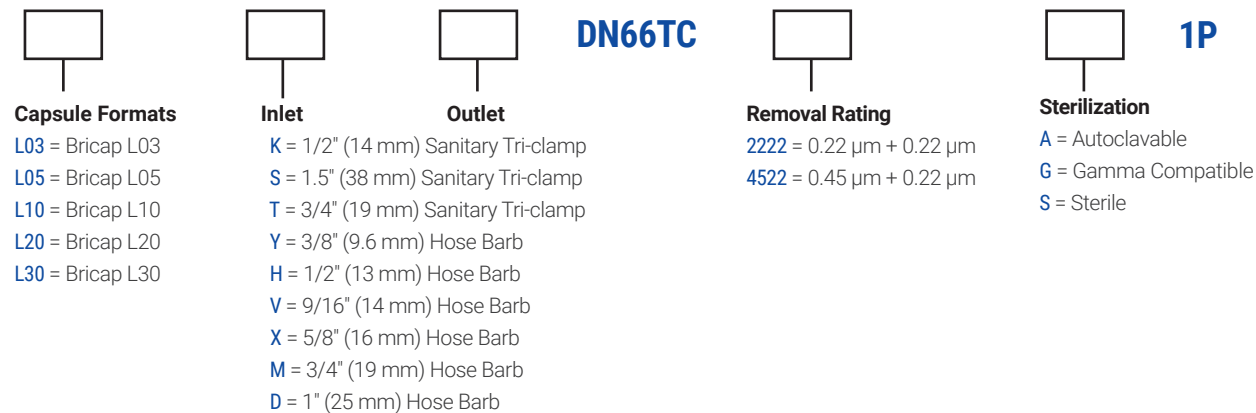
BRICAP C/D SMALL CAPSULE FILTERS - ORDERING INFORMATION

EXAMPLE: **C01TTDN66TC2222A1P** = Bricap C01, 3/4" Tri-Clamp I/O, 0.2 µm + 0.2 µm, autoclavable



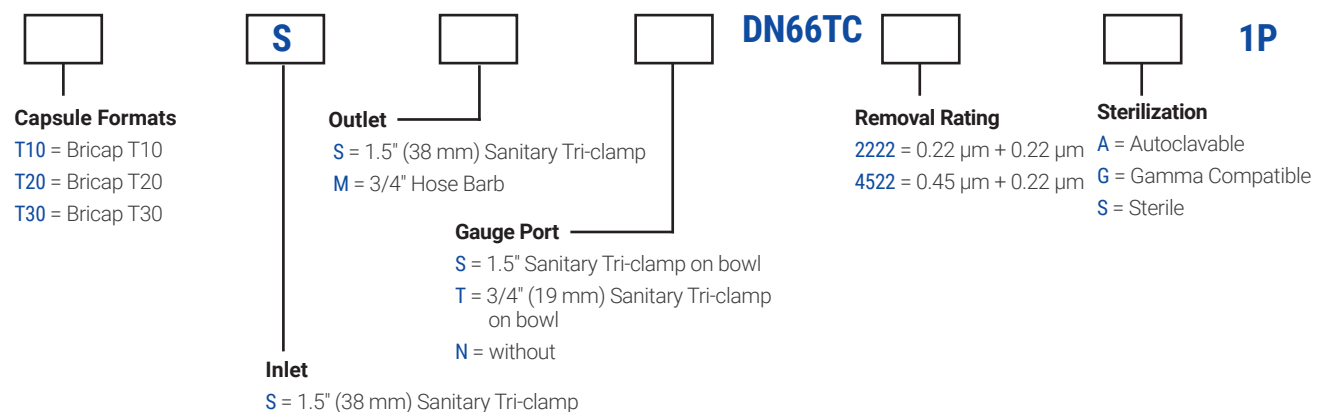
BRICAP L INLINE CAPSULE FILTERS - ORDERING INFORMATION

EXAMPLE: **L01SSDN66TC2222A1P** = Inline Bricap, 10", 1.5" Tri-Clamp I/O, 0.2 µm + 0.2 µm, autoclavable



BRICAP T CAPSULE FILTERS - ORDERING INFORMATION

EXAMPLE: **T10SSSDN666TC2222A1P** = T-line Bricap, 10", 1.5" Tri-Clamp I/O, 0.2 µm + 0.2 µm, autoclavable



BANNER INDUSTRIES IS THE EXCLUSIVE DISTRIBUTOR FOR COBETTER PRODUCTS IN THE USA
 Visit www.bannerindustries.com and select the Contact Us link to find the location nearest you. The Banner Industries of N.E., Inc. Terms and Conditions of Sale apply and are fully and expressly incorporated herein by reference and constitute a part of any contract for the purchase of the products described herein.

www.bannerindustries.com | Technical Sales: filtration@bannerindustries.com

CBBPP1208 Rev. 05032021
 Copyright © 2021 Banner Industries, Inc. All rights reserved.