

DN66PC POSITIVELY CHARGED NYLON FILTER SERIES

POSITIVELY CHARGED HYDROPHILIC NYLON 66 MEMBRANE FILTERS DESIGNED FOR BIO-BURDEN REDUCTION AND FINAL FILTRATION

DN66PC Filter Cartridges are composed of a dual layer of hydrophilic positively-charged Nylon 66 membrane. These filters are specifically designed for bio-burden reduction and the final filtration of a wide range of pharmaceutical and biological solutions. The Nylon 66 membrane with positive charged Zeta particles provides enhanced retention of fine particles such as endotoxins.

FEATURE	BENEFIT
Hydrophilic Nylon 66 membrane with Zeta particles	Positively charged to minimize endotoxins
	Ideal for rapid wettability
	100% integrity tested
	Low pressure drop and high flow rates
	Dual layer ensures longer service life, with added security

QUALITY STANDARDS

Quality Assurance	These products are manufactured in a facility which adheres to ISO 9001 Practices.
Bacterial Retention	Retention of 10^7 cfu/cm ² <i>Brevundimonas diminuta</i> (ATCC® 19146) according to ASTM F838 for $\leq 0.2 \mu\text{m}$
TOC / Conductivity at 25°C	Autoclaved filter effluent meets the USP <643> for Total Organic Carbon and USP <645> for Water Conductivity per WFI requirements after a UPW flush of 40 L (10.5 gal)
Particle Shedding	Autoclaved filter effluent meets the requirements in USP <788> for large volume parenterals/injections.
Non-Fiber Releasing	Component materials meet the criteria for a "Non-fiber-releasing filter" as defined in 21 CFR 210.3 (b) (6)
Bacterial Endotoxin	Aqueous extraction of autoclaved filter contains < 0.25 EU/mL as determined by Limulus Amebocyte Lysate (LAL), USP <85>.
USP <87> Cytotoxicity	Meet the requirement of USP <87> In Vitro Cytotoxicity Test
USP <88> Biological Toxicity	Meet the criteria of the USP <88> Biological Reactivity Test for Class VI-121°C plastics
Indirect Food Additive	All component materials meet the FDA Indirect Food Additive requirements cited in 21 CFR 177-182.

SPECIFICATIONS

Filter media	Hydrophilic Nylon 66 membrane (Dual Layer) with a positive Zeta potential
Membrane Support	Polyester
Core/cage/end caps	Polypropylene
Effective filtration area	0.58 m ² (6.24 ft ²) / Ø71-10 inch

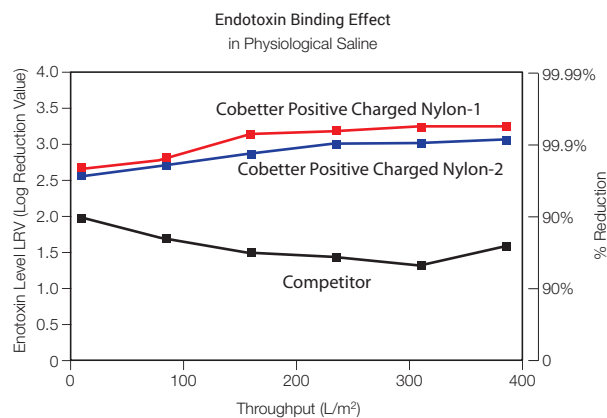
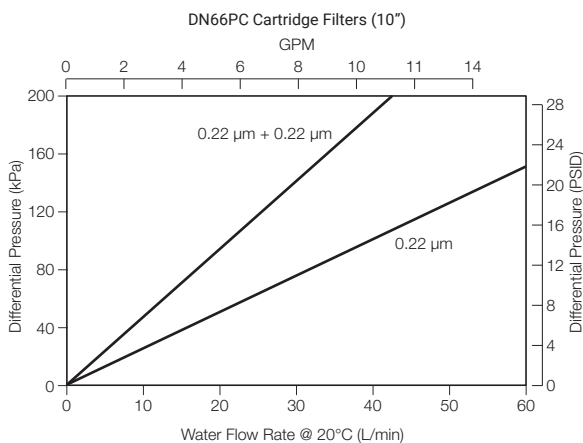


Typical Applications

- Buffer solutions
- WFI
- LVP & Antibiotics
- Endotoxin minimization

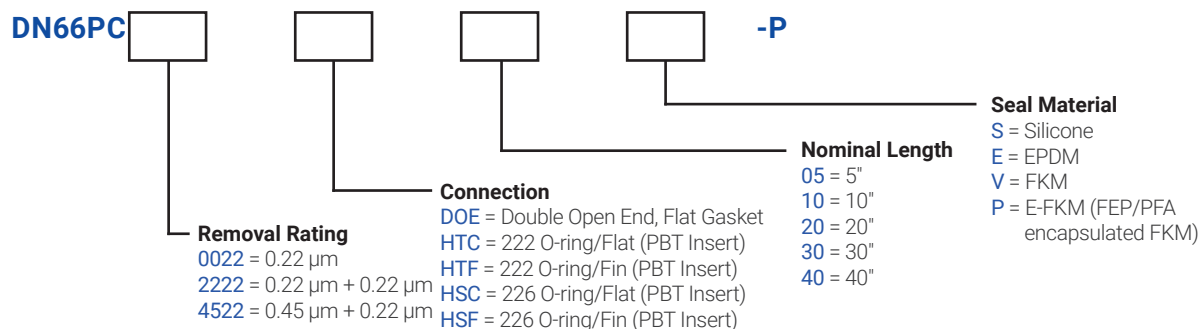
O-rings	Silicone, EPDM, FKM, FEP/PFA encapsulated FKM
O-ring internal insert	PBT
Cartridge diameter	69 mm (2.7 in.)
Max. Operating pressure	0.69 MPa (6.9 bar, 100 psi) at 25°C; 0.40 MPa (4.0 bar, 58 psi) at 60°C; 0.24 MPa (2.4 bar, 35 psi) at 80°C
Max. Differential pressure	Forward: 0.69 MPa (6.9 bar, 100 psi) at 25°C; 0.40 MPa (4.0 bar, 58 psi) at 60°C; 0.24 MPa (2.4 bar, 35 psi) at 80°C Reverse: 0.3 MPa (3.0 bar, 44 psi) at 25°C; 0.1 MPa (1.0 bar, 15 psi) at 80°C
Bubble point	≥0.38 MPa (3.8 bar, 55 psi) wetted with water of 20°C, 0.1 µm + 0.1 µm ≥0.34 MPa (3.4 bar, 49 psi) wetted with water of 20°C, 0.22 µm + 0.22 µm ≥0.30 MPa (3.0 bar, 44 psi) wetted with water of 20°C, 0.45 µm + 0.22 µm
Steam sterilization	up to 50 cycles for 30 minutes at 121°C at Max.Differential Pressure of 0.3 bar (4.3 psi)
Autoclave	up to 50 cycles for 30 minutes at 121°C

FLOW RATES

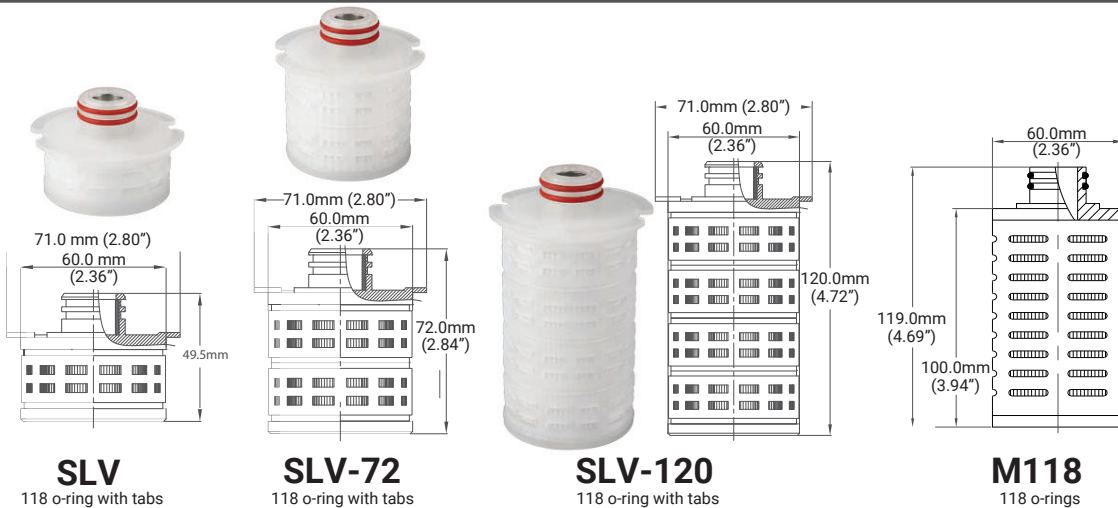
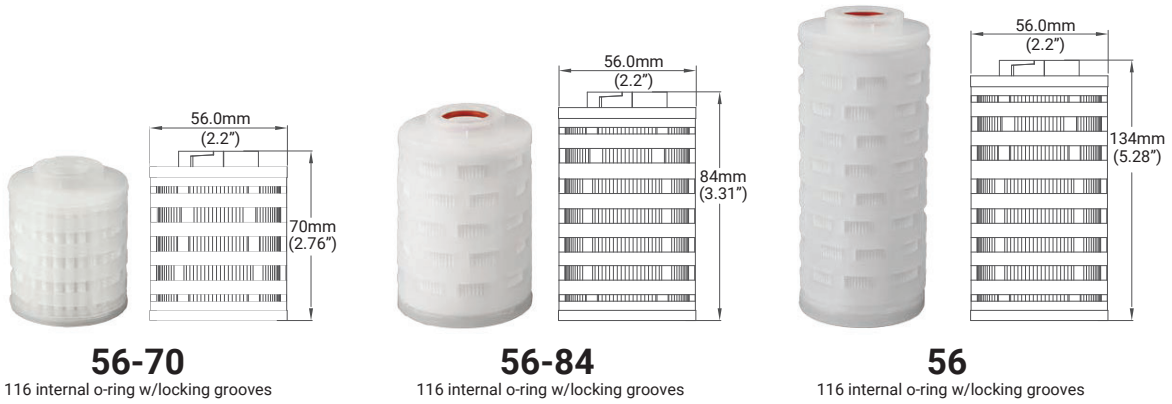
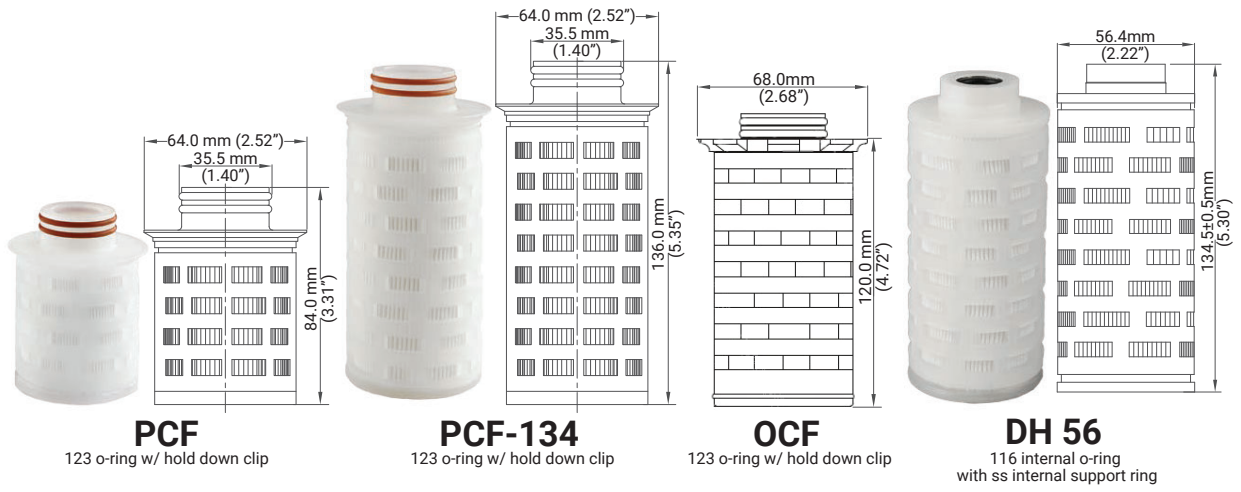
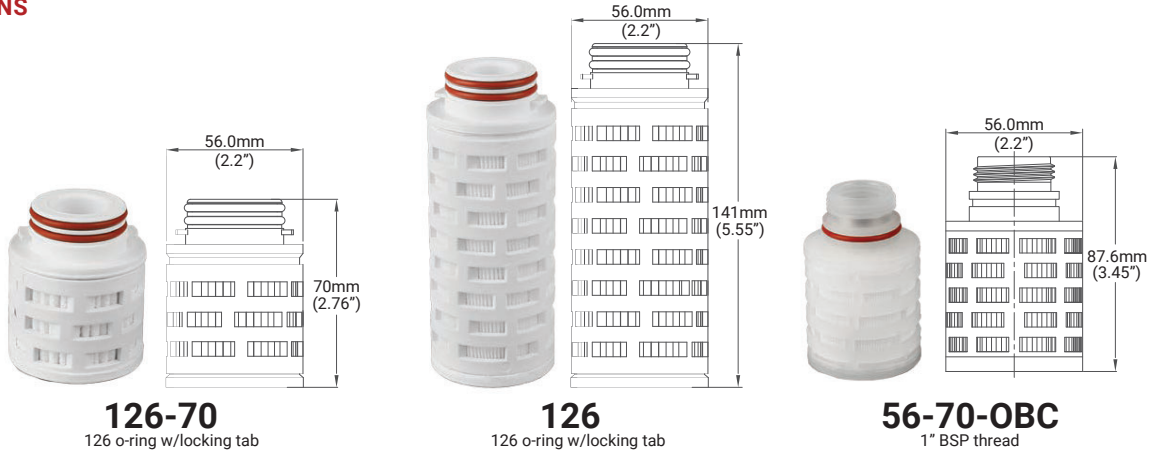


ORDERING INFORMATION

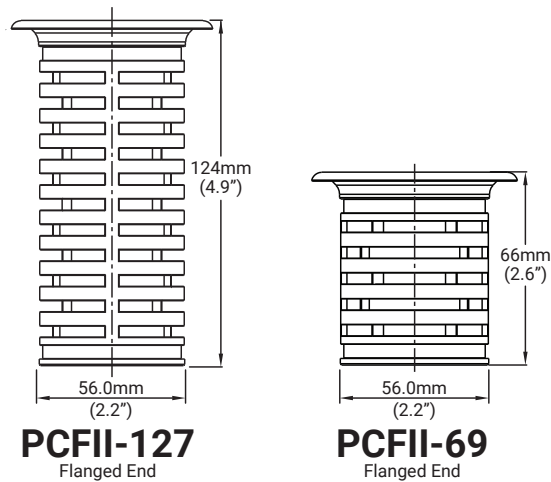
EXAMPLE: **DN66PC2222HSF10S-P** = 0.22 µm + 0.22 µm, 226/Fin, 10" filter with silicone seals



DIMENSIONS







DIMENSIONS



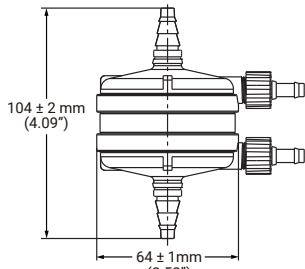
DN66PC POSITIVELY CHARGED NYLON SERIES - MINI CARTRIDGE ORDERING INFORMATION

EXAMPLE: **56-DN66PC0022SP** = 116 o-ring with locking groove, 124 mm (5.28 in.), positively charged nylon, 0.2 µm, silicone seal, for pharmaceutical applications

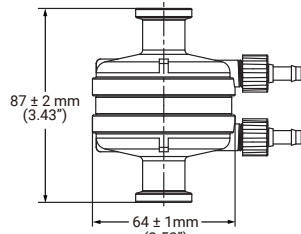
	-	DN66PC			
Filter Code (see drawings) <i>Internal 116 O-ring w/locking groove:</i> 56-70 = 70mm (2.76") 56-84 = 84mm (3.31") 56 = 134mm (5.28") <i>Internal 116 O-ring w/ ss internal support ring:</i> DH 56 = 134.5mm (5.3") <i>123 O-ring w/hold down lip:</i> OCF = 120mm (4.72") PCF = 84mm (3.31") PCF-134 = 136mm (5.35") <i>126 O-ring w/locking tab:</i> 126-70 = 70mm (2.76") 126 = 141mm (5.5") <i>118 O-ring w/tabs:</i> SLV = 49.5mm (1.95") SLV-72 = 72mm (2.84") SLV-120 = 120mm (4.72") <i>118 O-rings:</i> M118 = 119mm (4.69") <i>1" BSP (British Standard Pipe Thread):</i> 56-70-OBC = 87.6mm (3.45") <i>Flanged End (*No seal needed):</i> PCFII-127 = 124 mm (4.88") PCFII-69 = 66 mm (2.6")		Removal Rating 0022 = 0.22 µm 2222 = 0.22 µm + 0.22 µm 4522 = 0.45 µm + 0.22 µm	Seal Material S = Silicone E = EPDM V = FKM P = E-FKM (FEPFA encapsulated FKM) *N = No seal	Application P = Pharmaceutical F = Food and Beverage C = Chemical	

DIMENSIONS

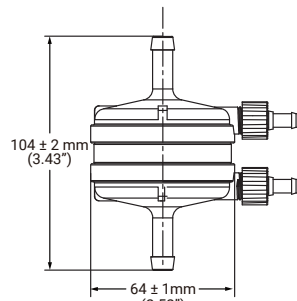
Bricap C01



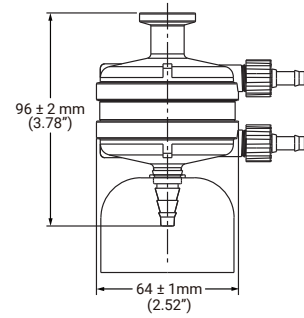
C01BB



C01TT

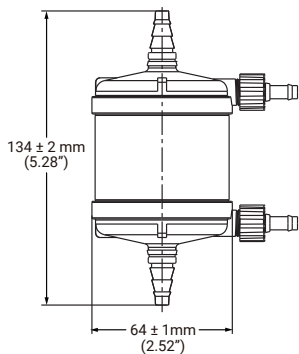


C01YY

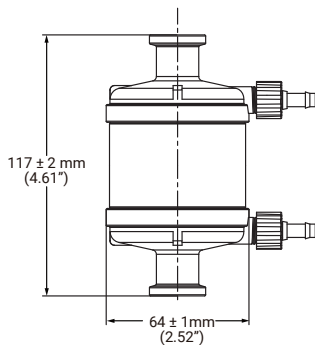


C01TA

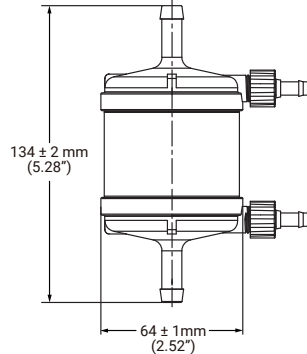
Bricap C02



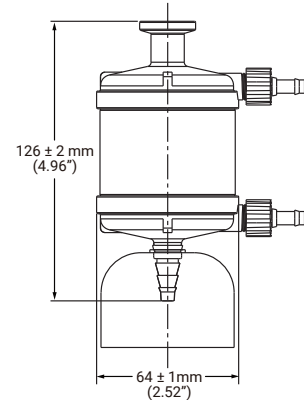
C02BB



C02TT

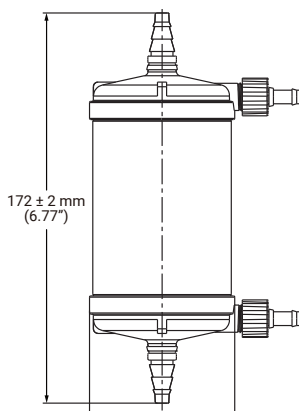


C02YY

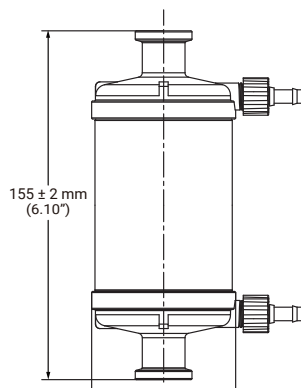


C02TA

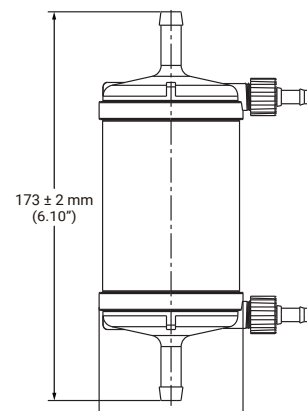
Bricap C03



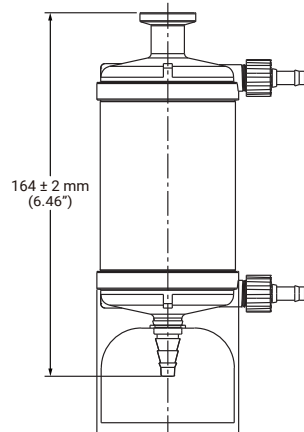
C03BB



C03TT



C03YY



C03TA

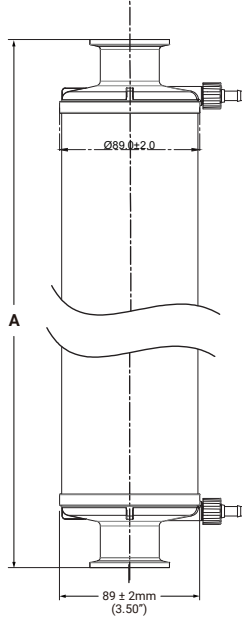
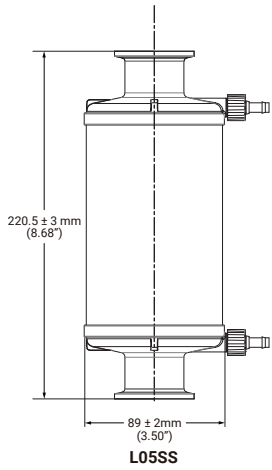
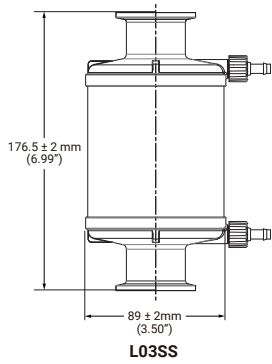
Max. Differential Pressure Capsules

0.55 MPa (5.5 bar, 80 psi) at 25°C
0.1 MPa (1.0 bar, 14.5 psi) at 80°C

Effective Filtration Area (EFA)

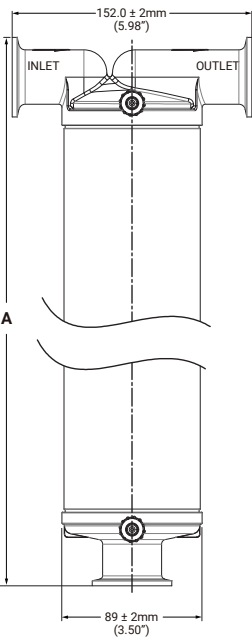
C01:
C02:
C03: 1000 cm² (1 m²)

DIMENSIONS - BICAP L



L10SS "A" = 338.5 ± 2 mm (13.31")
L20SS "A" = 575.5 ± 3 mm (22.66")
L30SS "A" = 828.0 ± 3 mm (32.60")

DIMENSIONS - BICAP T



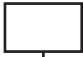
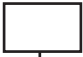

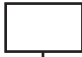

T10SS "A" = 348.0 ± 2 mm (13.70")
T20SS "A" = 586.0 ± 3 mm (23.07")
T30SS "A" = 839.0 ± 3 mm (33.03")

Effective Filtration Area (EFA)

L03: 1800 cm² (1.9 ft²)
 L05: 2900 cm² (3.12 ft²)
 T/L10: 0.58 m² (6.24 ft²)
 T/L20: 1.16 m² (12.5 ft²)
 T/L39L: 1.74 m² (18.7 ft²)

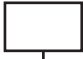
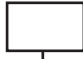
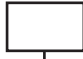
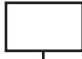
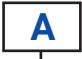
BRICAP C/D SMALL CAPSULE FILTERS - ORDERING INFORMATION

EXAMPLE: **C01TTDN66PC2222A1P** = Bricap C01, 3/4" Tri-Clamp I/O, 0.2 µm + 0.2 µm, autoclavable

			DN66PC			1P
Capsule Formats C01 = Bricap C01 C02 = Bricap C02 C03 = Bricap C03	Inlet K = 1/2" (14 mm) Sanitary Tri-clamp T = 3/4" (19 mm) Sanitary Tri-clamp F = 1.5" (31 mm) Sanitary Tri-clamp A = 1/4" - 1/2" (6-13 mm) Multiple Stepped Hose Barb with Filling Bell (liquids only, outlet) B = 1/4" - 1/2" (6-13 mm) Multiple Stepped Hose Barb L = 1/8" (3.2 mm) Hose Barb Y = 3/8" (9.6 mm) Hose Barb H = 1/2" (13 mm) Hose Barb V = 9/16" (14 mm) Hose Barb	Outlet		Removal Rating 1010 = 0.1 µm + 0.1 µm 2222 = 0.22 µm + 0.22 µm 4522 = 0.45 µm + 0.22 µm 1045 = 0.1 µm + 0.45 µm	Sterilization A = Autoclavable	

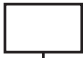

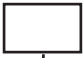
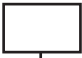
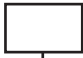

BRICAP L INLINE CAPSULE FILTERS - ORDERING INFORMATION

EXAMPLE: **L01SSDN66PC2222A1P** = Inline Bricap, 10", 1.5" Tri-Clamp I/O, 0.2 µm + 0.2 µm, autoclavable

			DN66PC			1P
Capsule Formats L03 = Bricap L03 L05 = Bricap L05 L10 = Bricap L10 L20 = Bricap L20 L30 = Bricap L30	Inlet K = 1/2" (14 mm) Sanitary Tri-clamp S = 1.5" (38 mm) Sanitary Tri-clamp T = 3/4" (19 mm) Sanitary Tri-clamp Y = 3/8" (9.6 mm) Hose Barb H = 1/2" (13 mm) Hose Barb V = 9/16" (14 mm) Hose Barb X = 5/8" (16 mm) Hose Barb M = 3/4" (19 mm) Hose Barb D = 1" (25 mm) Hose Barb	Outlet		Removal Rating 1010 = 0.1 µm + 0.1 µm 2222 = 0.22 µm + 0.22 µm 4522 = 0.45 µm + 0.22 µm 1045 = 0.1 µm + 0.45 µm	Sterilization A = Autoclavable	

BRICAP T CAPSULE FILTERS - ORDERING INFORMATION

EXAMPLE: **T10SSSDN666PC2222A1P** = T-line Bricap, 10", 1.5" Tri-Clamp I/O, 0.2 µm + 0.2 µm, autoclavable

				DN66PC			1P
Capsule Formats T10 = Bricap T10 T20 = Bricap T20 T30 = Bricap T30	Inlet S = 1.5" (38 mm) Sanitary Tri-clamp	Outlet S = 1.5" (38 mm) Sanitary Tri-clamp M = 3/4" Hose Barb	Gauge Port S = 1.5" Sanitary Tri-clamp on bowl T = 3/4" (19 mm) Sanitary Tri-clamp on bowl N = without		Removal Rating 1010 = 0.1 µm + 0.1 µm 2222 = 0.22 µm + 0.22 µm 4522 = 0.45 µm + 0.22 µm 1045 = 0.1 µm + 0.45 µm	Sterilization A = Autoclavable	



BANNER INDUSTRIES IS THE EXCLUSIVE DISTRIBUTOR FOR COBETTER PRODUCTS IN THE USA
Visit www.bannerindustries.com and select the Contact Us link to find the location nearest you. The Banner Industries of N.E., Inc. Terms and Conditions of Sale apply and are fully and expressly incorporated herein by reference and constitute a part of any contract for the purchase of the products described herein.

www.bannerindustries.com | Technical Sales: filtration@bannerindustries.com

CBBPP1206 Rev. 02232023
Copyright © 2023 Banner Industries, Inc. All rights reserved.