

COREVITAL® APB SERIES FILTERS

PVDF Sterilizing Gas Filtration Series
Capsules / Cartridges / Discs /
Mini Cartridges

COREVITAL® APB SERIES FILTERS

PVDF STERILIZING GAS/VENTING FILTRATION SERIES

Corevital® APB Series Filters are constructed of hydrophobic Polyvinylidene Fluoride (PVDF) media to meet the needs of sterilization requirements, for a wide range of critical gas/venting processing requirements.

FEATURE	BENEFITS
Hydrophobic PVDF media	<ul style="list-style-type: none"> • Sterilizing grade • High flow rates • Low extractables • Efficient bacteria and particulate retention
Multiple connection options	Available in a variety of filter sizes, configurations, and connector configurations to allow easy connection in most common applications.
Quality Assurance	Manufactured in a facility which adheres to ISO 9001 Practices.

BIOLOGICAL SAFETY

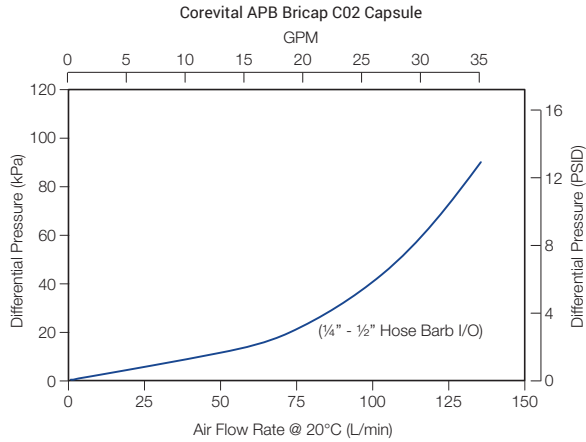
Endotoxins	<0.25 EU/ml
Bio-compatibility	Meet the requirement of USP<87> In Vitro Cytotoxicity Test; Meet the criteria of the USP<88> Biological Reactivity Test for Class VI-T21C plastics

SPECIFICATIONS

Filter media	0.2 µm retention rating Hydrophobic PVDF
Core/Cage/End Cap	Polypropylene
Capsule Shell	Polypropylene
O-ring (cartridge only)	Silicone/EPDM/FKM/E-FKM
O-ring, Capsule Vent	Silicone
Max. Operating temperature	80°C
Max. Differential pressure	0.55 MPa (5.5 bar, 80 psi) at 25°C 0.1 MPa (1.0 bar, 14.5 psi) at 80°C



COREVITAL PVDF SERIES FLOW



COREVITAL PVDF SERIES FILTRATION AREA

Bricap Disc Filters	Bricap C/D	Bricap L	Bricap T	Cartridges	Mini Cartridges
SFU13: 0.72 cm ²	C01: 290 cm ²	L03: 0.25 m ²	T10: 0.75 m ²	5": 0.375 m ²	MK070: 108 cm ²
SFU25: 3.4 cm ²	C02: 640 cm ²	L05: 0.375 m ²	T20: 1.5 m ²	10": 0.75 m ²	MK084: 1243 cm ²
SFU33: 4.5 cm ²	C03: 1000 cm ²	L10: 0.75 m ²	T30: 2.25 m ²	20": 1.5 m ²	MK135: 2074 cm ²
V42: 13.8 cm ²	D01: 450 cm ²	L20: 1.5 m ²		30": 2.25 m ²	MD135: 2023 cm ²
V50A: 20 cm ²		L30: 2.25 m ²		40": 3.0 m ²	MF120:
V50D: 20 cm ²					MP085: 1057 cm ²
					MP134: 1904 cm ²
					MH070: 799 cm ²
					MH142: 2023 cm ²
					MC127:
					MC069:

COREVITAL PVDF SERIES - CARTRIDGE ORDERING INFORMATION

EXAMPLE: **AAPBB107E1P** = 0.2 μm, 10", 226 o-ring/fin, EPDM o-ring

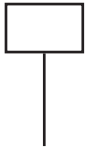
A

<div style="border: 1px solid black; width: 40px; height: 20px; margin: 0 auto;"></div> <p>Media APBB = 0.2 μm</p>	<div style="border: 1px solid black; width: 40px; height: 20px; margin: 0 auto;"></div> <p>Nominal Length 05 = 5" 10 = 10" 20 = 20" 30 = 30" 40 = 40"</p>	<div style="border: 1px solid black; width: 40px; height: 20px; margin: 0 auto;"></div> <p>Connection 0 = Double Open End, Flat Gasket 2 = 226 O-ring/Flat 7 = 226 O-ring/Fin 3 = 222 O-ring/Flat 8 = 222 O-ring/Fin</p>	<div style="border: 1px solid black; width: 40px; height: 20px; margin: 0 auto;"></div> <p>Seal Material S = Silicone E = EPDM V = FKM P = E-FKM (FEP/PFA encapsulated FKM)</p>	<div style="border: 1px solid black; width: 40px; height: 20px; margin: 0 auto; display: flex; align-items: center; justify-content: center;"> P </div> <p>Application P = Pharmaceutical</p>
-------------------------------------------------------------------------------------------------------------------------------	--------------------------------------------------------------------------------------------------------------------------------------------------------------------------------------	-----------------------------------------------------------------------------------------------------------------------------------------------------------------------------------------------------------------------------------------------------	--------------------------------------------------------------------------------------------------------------------------------------------------------------------------------------------------------	--------------------------------------------------------------------------------------------------------------------------------------------------------------------------------------------------------------------------------------------------------------------



COREVITAL PVDF SERIES - MINI CARTRIDGE ORDERING INFORMATION

EXAMPLE: **MC127APBBS1P** = Flanged mini cartridge, 124 mm (4.9 in.), Absolute-Rated Polypropylene, 0.2 µm, silicone seal, Qty 1 per box, for pharmaceutical applications



Media
APBB = 0.2 µm



Seal Material
S = Silicone
V = FKM
P = E-FKM (FEPFA encapsulated FKM)
N = No seal



Box Quantity
1 = 1 per box



Application
P = Pharmaceutical

Filter Code (see drawings)

Internal 116 O-ring w/locking groove:

MK070 = 70mm (2.76")

MK084 = 84mm (3.31")

MK135 = 134mm (5.28")

Internal 116 O-ring:

MD135 = 134.5mm (5.3")

123 O-ring w/hold down lip:

MF120 = 120mm (4.72")

MP085 = 84mm (3.31")

MP134 = 136mm (5.35")

126 O-ring w/locking tab:

MH070 = 70mm (2.76")

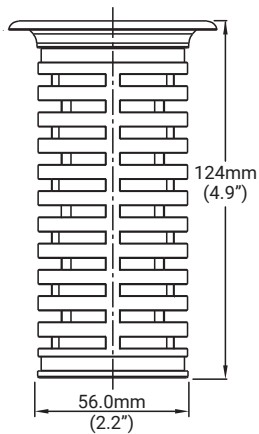
MH142 = 141mm (5.5")

Flanged End:

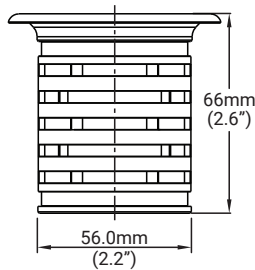
MC127 = 124 mm (4.88")

MC069 = 66 mm (2.6")

COREVITAL PVDF DIMENSIONS - MINI CARTRIDGES

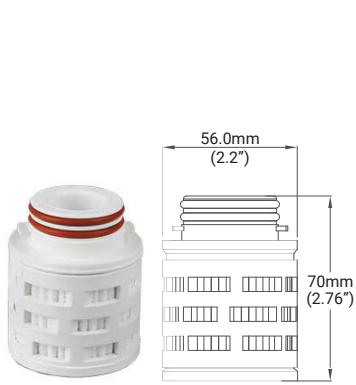


MC127
Flanged End

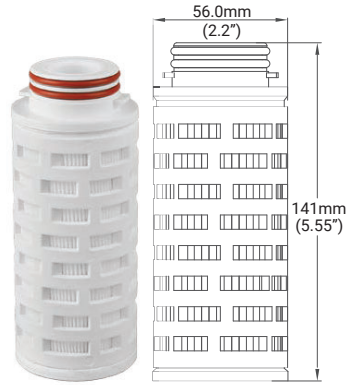


MC069
Flanged End

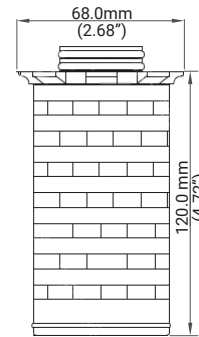
DIMENSIONS



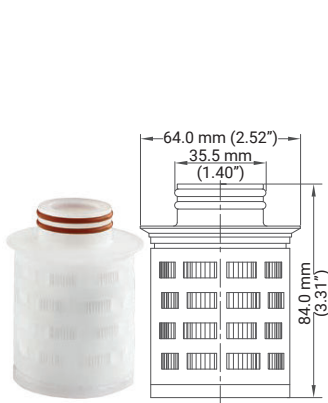
MH070
126 o-ring w/locking tab



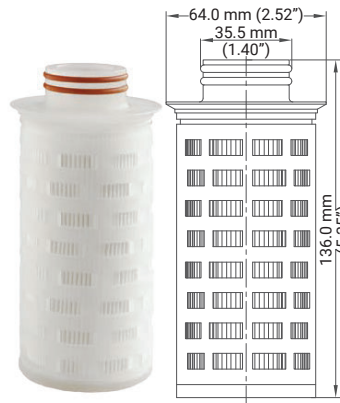
MH142
126 o-ring w/locking tab



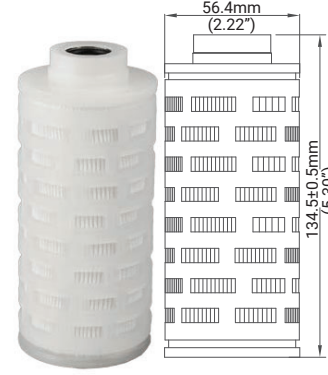
MF120
123 o-ring w/ hold down clip



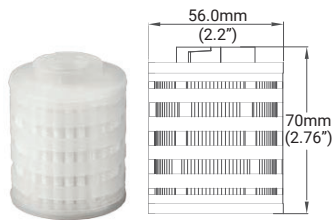
MP085
123 o-ring w/ hold down clip



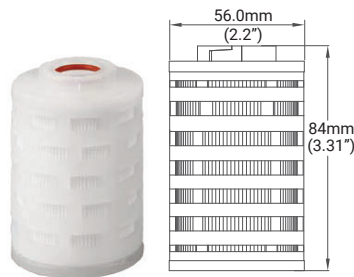
MP134
123 o-ring w/ hold down clip



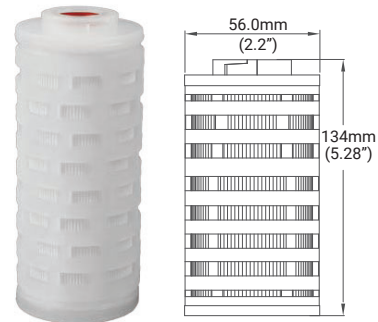
MD135
116 internal o-ring



MK070
116 internal o-ring w/locking grooves



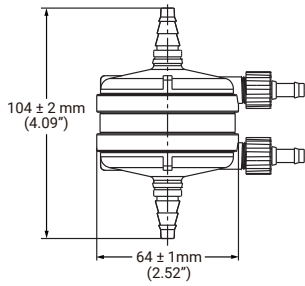
MK084
116 internal o-ring w/locking grooves



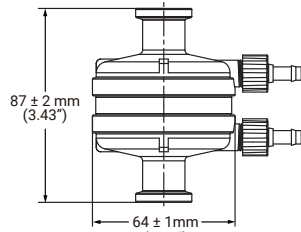
MK135
116 internal o-ring w/locking grooves

COREVITAL PVDF DIMENSIONS - BRICAP C SMALL CAPSULE FILTERS

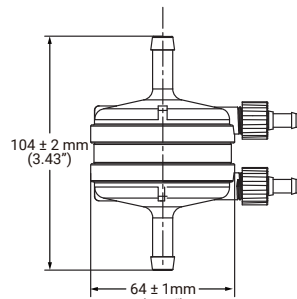
Bricap C01



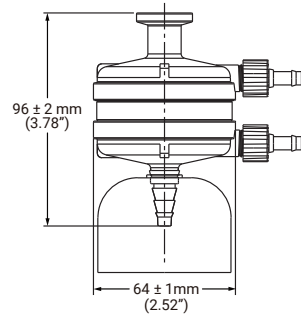
C01BB



C01TT

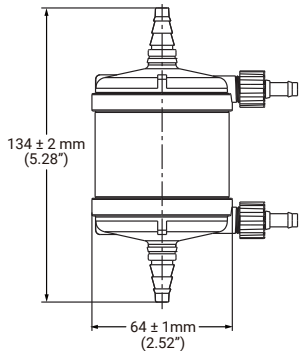


C01YY

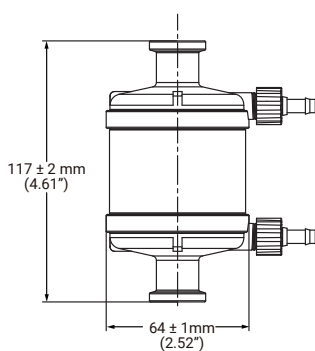


C01TA

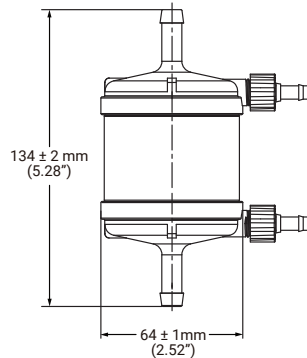
Bricap C02



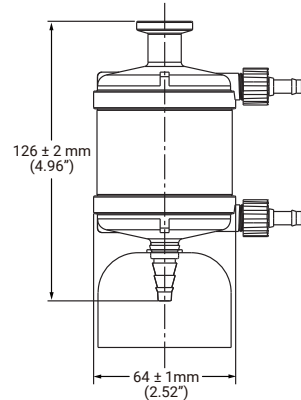
C02BB



C02TT

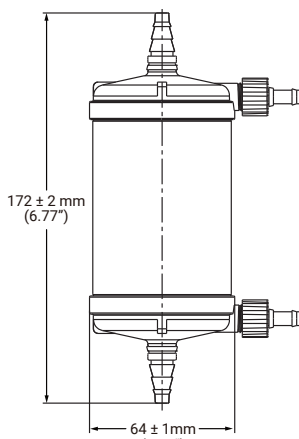


C02YY

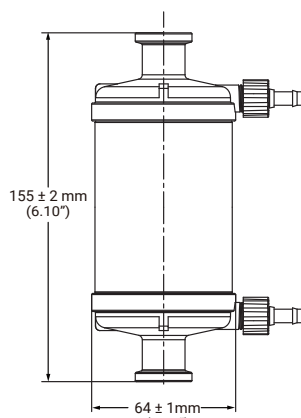


C02TA

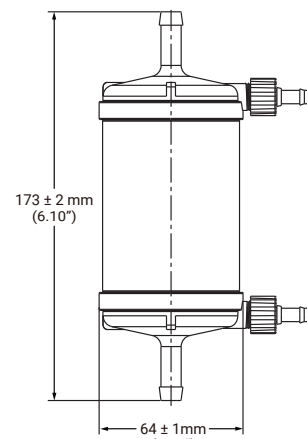
Bricap C03



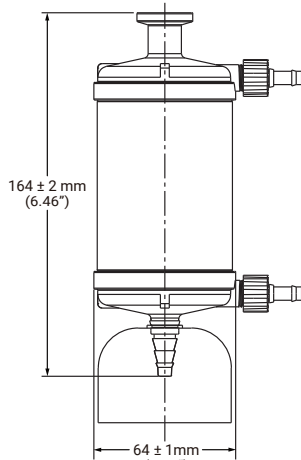
C03BB



C03TT

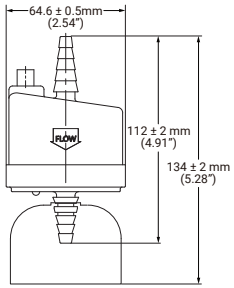


C03YY

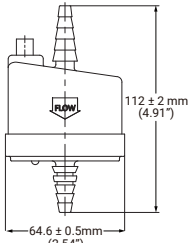


C03TA

DIMENSIONS - BRICAP D

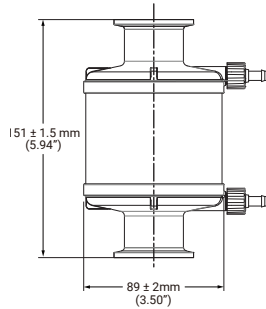


D01BA

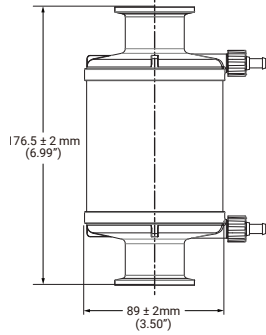


D01BB

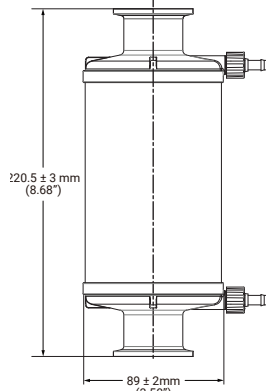
DIMENSIONS - BRICAP L



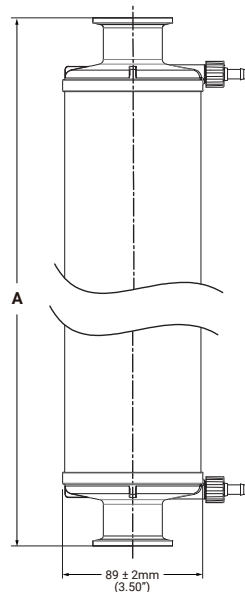
L02SS



L03SS

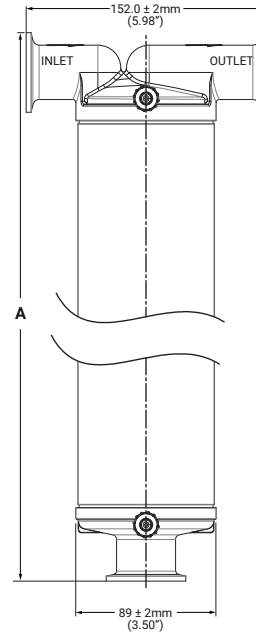


L05SS



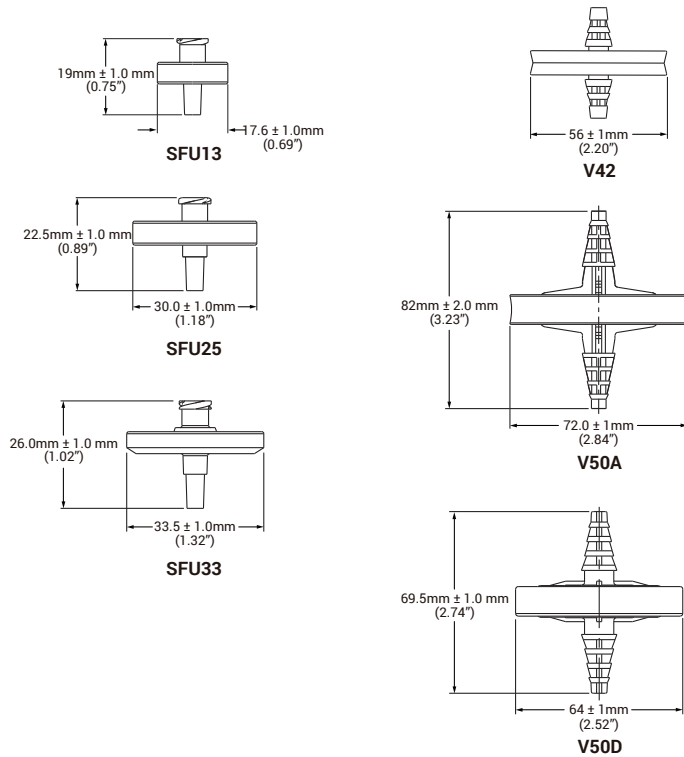
L10SS "A" = 338.5 ± 2 mm (13.31")
L20SS "A" = 575.5 ± 3 mm (22.66")
L30SS "A" = 828.0 ± 3 mm (32.60")

DIMENSIONS - BRICAP T



T10SS "A" = 348.0 ± 2 mm (13.70")
T20SS "A" = 586.0 ± 3 mm (23.07")
T30SS "A" = 839.0 ± 3 mm (33.03")

DIMENSIONS - BRICAP DISC FILTERS



COREVITAL PVDF SERIES BRICAP C/D SMALL CAPSULE FILTERS - ORDERING INFORMATION

EXAMPLE: **C01TTAPBBS1P** = Bricap C01, 3/4" Tri-Clamp I/O, 0.2 µm, sterile



Capsule Formats

- C01** = Bricap C01
- C02** = Bricap C02
- C03** = Bricap C03
- D01** = Bricap D01
- (A & B fitting option only, Autoclavable only)



Inlet

- K** = 1/2" (14 mm) Sanitary Tri-clamp
- T** = 3/4" (19 mm) Sanitary Tri-clamp
- F** = 1.5" (31 mm) Sanitary Tri-clamp
- A** = 1/4" - 1/2" (6-13 mm) Multiple Stepped Hose Barb with Filling Bell (liquids only, outlet)
- B** = 1/4" - 1/2" (6-13 mm) Multiple Stepped Hose Barb
- L** = 1/8" (3.2 mm) Hose Barb
- Y** = 3/8" (9.6 mm) Hose Barb
- H** = 1/2" (13 mm) Hose Barb
- V** = 9/16" (14 mm) Hose Barb



Outlet

APBB



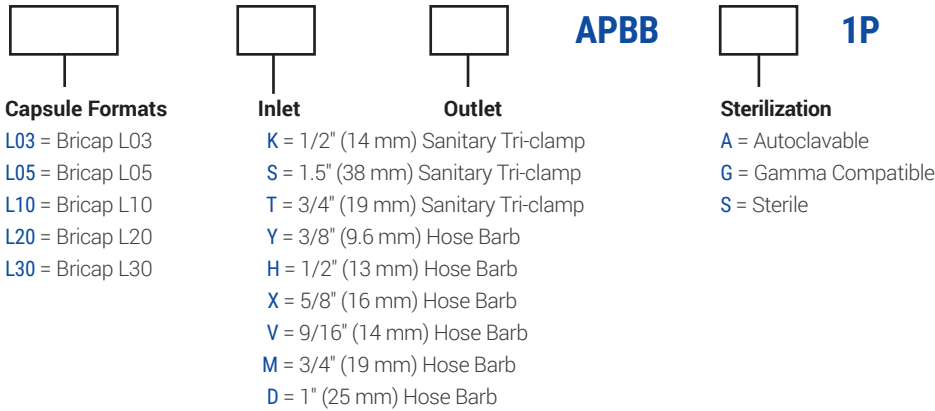
Sterilization

- A** = Autoclavable
- G** = Gamma Compatible
- S** = Sterile

1P

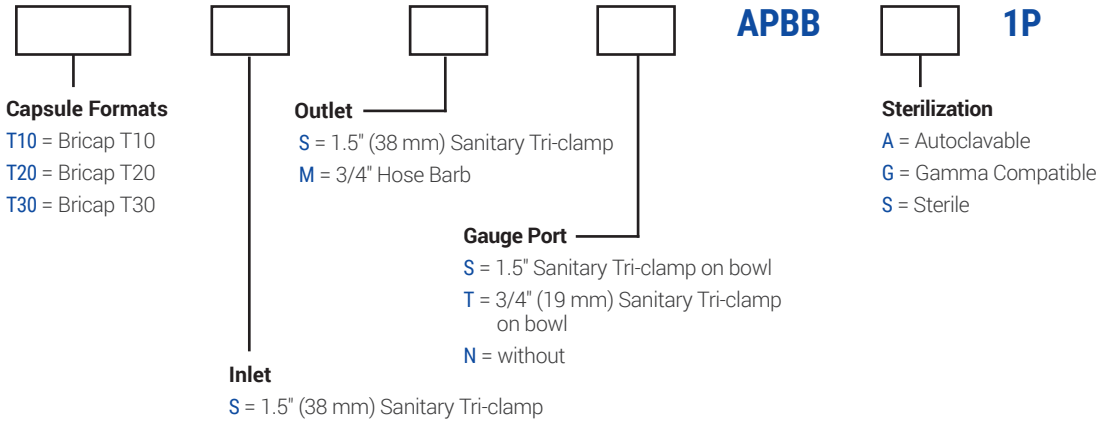
COREVITAL PVDF SERIES BRICAP L INLINE CAPSULE FILTERS - ORDERING INFORMATION

EXAMPLE: **L03SSAPBBS1P** = Inline Bricap, 10", 1.5" Tri-Clamp I/O, Sterilization Grade, 0.2 µm, sterile



COREVITAL PVDF BRICAP T CAPSULE FILTERS - ORDERING INFORMATION

EXAMPLE: **T10SSAPBBS1P** = T-line Bricap, 10", 1.5" Tri-Clamp I/O, Sterilizing Grade, 0.2 µm, sterile



COREVITAL PVDF BRISCALE® DISC LIQUID FILTER - ORDERING INFORMATION

EXAMPLE: **V5DBBAPBBS2P** = BriScale A50, 1/4" - 1/12" multi-stepped hose barb with filling bell, 0.2 µm, sterile, 2/pkg



BANNER INDUSTRIES IS THE EXCLUSIVE DISTRIBUTOR FOR COBETTER PRODUCTS IN THE USA
 Visit www.bannerindustries.com and select the Contact Us link to find the location nearest you. The Banner Industries of N.E., Inc. Terms and Conditions of Sale apply and are fully and expressly incorporated herein by reference and constitute a part of any contract for the purchase of the products described herein.

www.bannerindustries.com | Technical Sales: filtration@bannerindustries.com

CBBPP1122 Rev. 05282021
 Copyright © 2021 Banner Industries, Inc. All rights reserved.
 Corevital® and BriScale® are registered trademarks of Cobetter Filtration Equipment Co., Ltd
 Stäubli is a trademark of Stäubli International AG.