

BEVPURE® FILTER CARTRIDGES

HYDROPHILIC PES MEMBRANE FILTERS DESIGNED FOR ECONOMICAL STERILIZATION FILTRATION

BevPure® Filter Cartridges have a single-layer hydrophilic PES membrane which delivers sterilizing filtration at the most economical cost. Hydrophilic PES membrane filters require no pre-wetting and are ready to use. These filters are recommended for the sterile filtration on a wide range of liquids e.g. diluting water and beverages.

Industry Standard End Caps, Nominal Lengths

BevPure® Filter Cartridges are available in a variety of industry-standard end fittings for easy installation into existing configurations. The filters are available from 5" to 40" lengths to meet all process flow needs.

FEATURE	BENEFIT
Hydrophilic PES membrane	No prewetting of filter is required
Integrity tested	Each filter is individually Integrity Tested prior to shipment
Retention ratings	Available in ratings 0.1 µm, 0.22 µm, and 0.45 µm for bacterial and particle removal
Designed for extensive steam sterilization cycles	Steam sterilization up to 100 sterilization cycles ensures long-life microbiological process safety
Complies with food contact regulations	FDA 21CFR177-182 and 1935/2004 EC compliance to ensure process safety

SPECIFICATIONS

Filter media	PES membrane (single layer)
Supports/core/cage/end caps	Polypropylene
O-ring internal support	PBT
O-rings	Silicone, EPDM, FKM
Effective filtration area	0.58m ² (6.5 ft ²)/ Ø69-10 inch
Cartridge diameter	69 mm (2.7 in.)
Max. operating temperature	80°C
Max. differential pressure	Forward: 0.69 MPa (6.9 bar, 100 psi) at 25°C ; 0.24 MPa (2.4 bar, 35 psi) at 80°C Reverse: 0.3 MPa (3 bar, 44 psi) at 25°C ; 0.1 MPa (1 bar, 15 psi) at 80°C
Bubble point	0.45 µm: ≥0.22 MPa (2.2 bar, 32 psi) (water); 0.22 µm: ≥0.22 MPa (3.2 bar, 46 psi) (water)
Steam sterilization (saturated steam)	100 cycles for 30 minutes at 130°C at Max. Differential Pressure of 0.3 bar (4.3 psi)



Typical Applications

- Beverage Filtration
- Water Filtration
- Juice Filtration
- Wine Filtration

Chemical sanitization	30 minutes at 40 °C with 50 cycles in a mix solution of sodium hypochlorite (NaClO, 100 ppm) and peroxyacetic acid (100 ppm).
Hot water sterilization	85°C/30 min. at Max. Differential Pressure for 2 bar (29 psi)
Autoclave	200 cycles for 30 minutes at 130°C

MICROBIOLOGICAL CONTROL

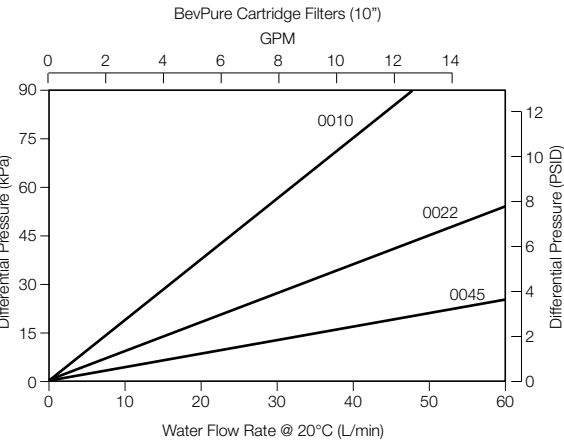
The primary purpose of a membrane filter cartridge in beverage processing is to effectively control spoilage microorganisms.

TYPICAL LOG REDUCTION VALUE (LRV)

	Brevundimonas diminuta	Lactobacillus brevis
0.1 µm	> 7/cm ²	N/A
0.2 µm	> 7/cm ²	N/A
0.45 µm	N/A	> 7/cm ²

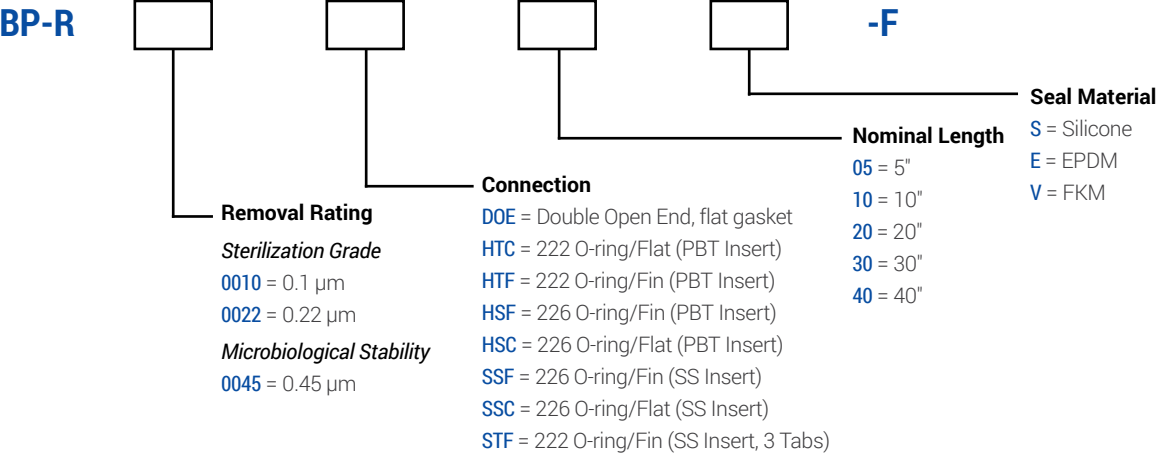
Log Reduction Values are calculated using the following formula: $LRV = \log_{10} \left(\frac{\text{total number of organisms entering the filter}}{\text{total number of organisms exiting the filter}} \right)$

FLOW RATES



ORDERING INFORMATION

EXAMPLE: **BP-R0045HTC10S-F** = 0.45 µm, 222/Flat, 10" filter with silicone seals



BANNER INDUSTRIES IS THE EXCLUSIVE DISTRIBUTOR FOR COBETTER PRODUCTS IN THE USA
 Visit www.bannerindustries.com and select the Contact Us link to find the location nearest you. The Banner Industries of N.E., Inc. Terms and Conditions of Sale apply and are fully and expressly incorporated herein by reference and constitute a part of any contract for the purchase of the products described herein.

www.bannerindustries.com | Technical Sales: filtration@bannerindustries.com

CBBPP1026 Rev. 04072020
 Copyright © 2019 Banner Industries, Inc. All rights reserved.
 BevPure® is a registered trademark of Cobetter Filtration Equipment Co., Ltd.