

BEVPURE® PLUS FILTER CARTRIDGES

Double-layer PES membrane filters ideal for applications demanding highest level microbiological process safety

BEVPURE® PLUS FILTER CARTRIDGES

DOUBLE-LAYER PES MEMBRANE PROVIDES EXCELLENT MICROBIOLOGICAL RETENTION WITH ECONOMICAL FILTRATION

BevPure® Plus Filter Cartridges have been established as a new generation of PES membranes in sterilizing grade filtration. The unique double-layer PES membrane provides excellent microbiological retention with economical filtration.

Highest Level of Microbiological Process Safety

BPP Filter Cartridges can be steam or hot water sterilized frequently for longer service life. They can be used in a wide range of food and beverage applications which demand the highest level of microbiological process safety.

Industry-Standard End Caps, Nominal Lengths

BevPure® Plus Filter Cartridges are available in a variety of industry-standard end fittings for easy installation into existing configurations. The filters are available from 5" to 40" lengths to meet all process flow needs.



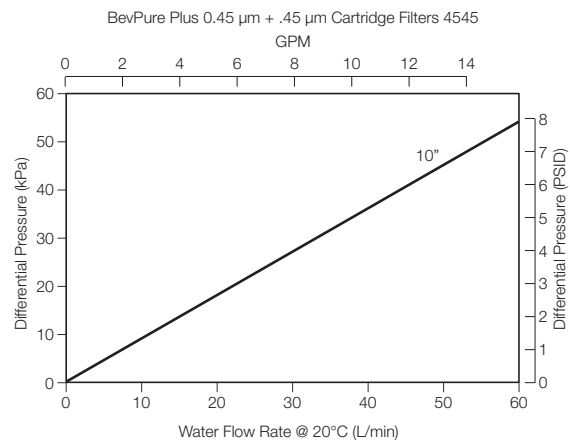
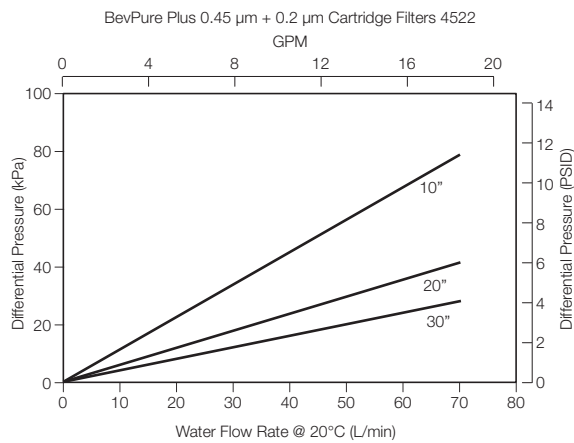
FEATURE	BENEFIT
Double-layer membrane	Asymmetric+Symmetric PES provides excellent reliability and safety
Asymmetric pre-filter layer	Provides longer service life and more economical costs in standard filter size
Large effective filtration area	The 0.58m ² /10inch filtration area delivers long life, high flow efficient filtration
Designed for extensive steam sterilization cycles	Steam sterilization up to 100 sterilization cycles ensures long-life microbiological process safety
Complies with food contact regulations	FDA 21CFR177-182 "Non-fiber releasing" and 1935/2004 EC compliance for food contact process safety

SPECIFICATIONS

Filter media	Hydrophilic polyethersulfone (PES); Double-Layer (Asymmetric PES + Symmetric PES)
Supports/core/cage/end caps	Polypropylene
O-rings	Silicone, EPDM, FKM
Effective filtration area	0.58m ² (6.5 ft ²)/ Ø69-10 inch
Cartridge diameter	69 mm (2.7 in.)
Max. Operating temperature	80°C
Max. Operating pressure	0.69 MPa (6.9 bar, 100 psi) at 25°C; 0.24 MPa (2.4 bar, 35 psi) at 80°C

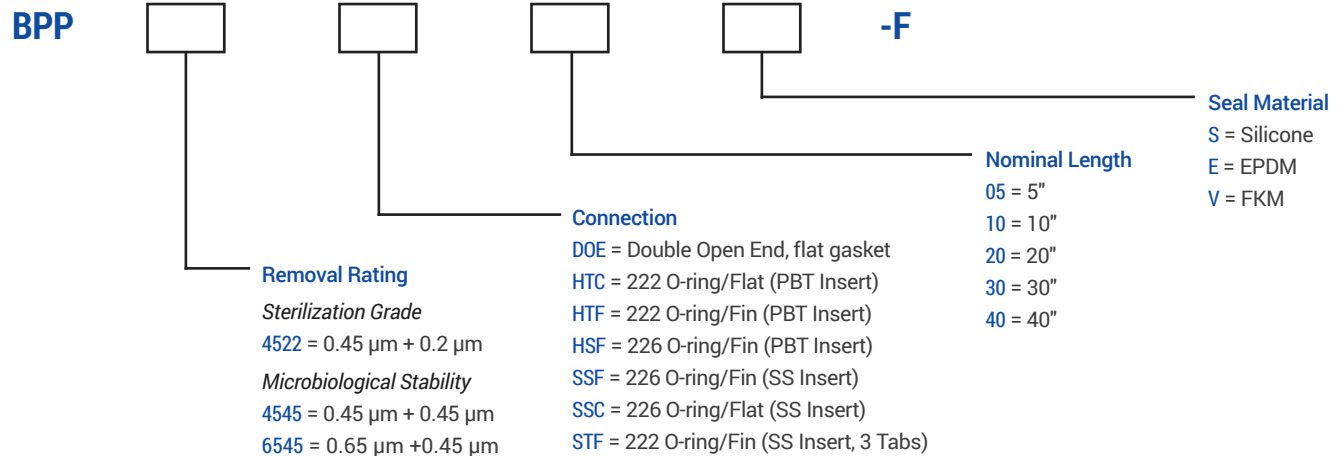
Max. Differential pressure	Forward: 0.69 MPa (6.9 bar, 100 psi) at 25°C ; 0.24 MPa (2.4 bar, 35 psi) at 80°C
	Reverse: 0.3 MPa (3.0 bar, 44 psi) at 25°C; 0.1 MPa (1.0 bar, 15 psi) at 80°C
Bubble point	0.45 µm: ≥0.16 MPa (16 bar, 23 psi) (water); 0.2 µm: ≥0.34 MPa (3.4 bar, 49 psi) (water)
Steam sterilization (saturated steam)	≥100 cycles for 30 minutes at 135°C at Max.Differential Pressure of 0.3 bar (4.3 psi)
Autoclave	200 cycles for 30 minutes at 130 °C
Chemical sanitization	30 minutes at 40°C with 50 cycles in a mix solution of sodium hypochlorite (NaClO, 100 ppm) and peroxyacetic acid (100 ppm)
Hot water sterilization	85°C for 30 minutes at max. Differential Pressure of 2 bar (29 psi) for 50 cycles
Pore size	0.45 µm + 0.22 µm sterilization
Bacterial retention (0.2 µm)	Retention of 10 ⁷ cfu/cm ² Brevundimonas diminuta (ATCC® 19146), ASTM F838.

FLOW RATES



ORDERING INFORMATION

EXAMPLE: BPP4522HTC10S-F = 0.45 µm + 0.2 µm, 222/Flat, 10" filter with silicone seals



BANNER INDUSTRIES IS THE EXCLUSIVE DISTRIBUTOR FOR COBETTER PRODUCTS IN THE USA
 Visit www.bannerindustries.com and select the Contact Us link to find the location nearest you.
 The Banner Industries of N.E., Inc. Terms and Conditions of Sale apply and are fully and expressly incorporated herein by reference and constitute a part of any contract for the purchase of the products described herein.

www.bannerindustries.com | Technical Sales: filtration@bannerindustries.com

CBBPP1011 Rev. 04092020
 Copyright © 2019 Banner Industries, Inc. All rights reserved.
 BevPure® is a registered trademark of Cobetter Filtration Equipment Co., Ltd.