

HIGH FLOW AUTOCLAVE VENT FILTER CARTRIDGES

DESIGNED FOR CRITICAL APPLICATIONS WHERE STERILE AIR IS REQUIRED TO BREAK VACUUM FORMED IN AUTOCLAVE CHAMBER

Cobetter High-Flow Autoclave Vent Filter Cartridges are designed for critical applications where sterile air is required to break the vacuum formed by steam condensation inside the autoclave chamber. The filter cartridge consists of hydrophobic PTFE or PVDF membrane and removes all particles down to 0.01 µm, ensuring the removal of microorganisms including bacteria and viruses.

The High-Flow vent autoclave filter cartridges have been completely validated using the Bacterial Challenge Test and Aerosol Challenge Test. Using *Pseudomonas diminuta* in the Bacterial Challenge Test results in total bacterial retention. Using T1 bacteriophage (0.5 micron x 0.1 micron) in the Aerosol Challenge Test allows removal to a gas micron rating of 0.01 µm. This ensures bacteria and bacteriophage removal especially during the vacuum-break period.



FEATURE

BENEFIT

Hydrophobic PTFE or PVDF Membrane

Membranes meet process needs and deliver high flow rates with exceptional mechanical strength

Validated bacterial and aerosol challenge tested

Delivers total bacteria and bacteriophage removal.

QUALITY STANDARDS

Quality Assurance

These products are manufactured in a facility which adheres to ISO 9001:2015 Practices.

TOC / Conductivity at 25°C

Autoclaved filter effluent meets the USP <643> for Total Organic Carbon and USP <645> for Water Conductivity per WFI requirements after a UPW flush

Particle Shedding

Autoclaved filter effluent meets the requirements in USP <788> for large volume parenterals/injections

Non-Fiber Releasing

Component materials meet the criteria for a "Non-fiber-releasing filter" as defined in 21 CFR 210.3 (b) (6)

Bacterial Endotoxin

Aqueous extraction of autoclaved filter contains < 0.25 EU/mL as determined by Limulus; Amebocyte Lysate (LAL), USP <85>

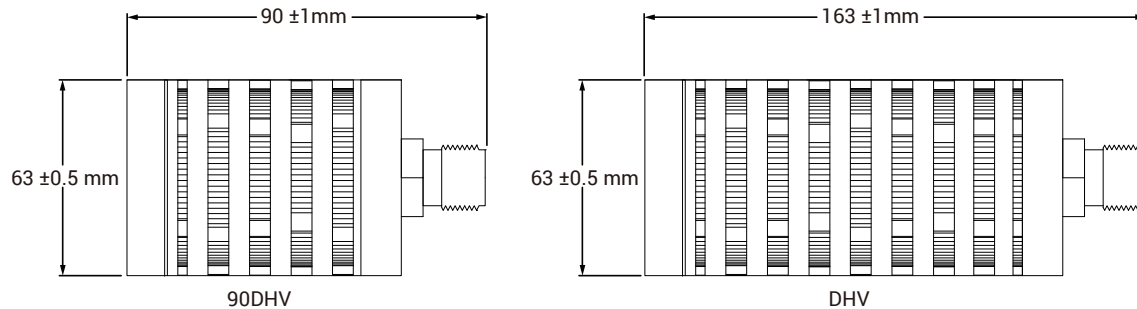
USP <87> Cytotoxicity

Meet the requirement of USP <87> In Vitro Cytotoxicity Test

SPECIFICATIONS

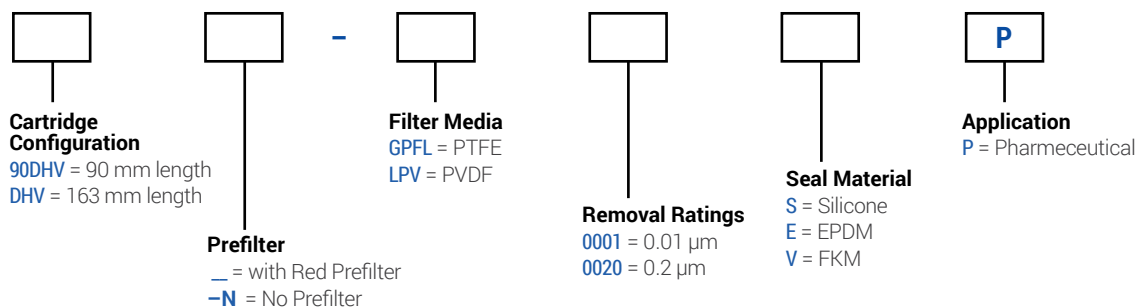
Filter media	Hydrophobic PTFE, Hydrophobic PVDF		
Cage/Core	Polypropylene		
Connection	1/2" BSPP (British Standard Parallel Pipe), Male Thread		
Effective filtration area		PTFE	PVDF
	90DHV:	1150 cm ² (1.24 ft ²)	1300 cm ² (1.4 ft ²)
	DHV:	2650 cm ² (2.85 ft ²)	3000 cm ² (3.23 ft ²)
O-rings	Silicone, EPDM, FKM		
Cartridge diameter	63±0.5 mm (2.5 in.)		
Max. temperature	70°C		
Max. differential pressure	0.45 MPa (4.5 bar, 65 psi) at 70°C		

DIMENSIONS



ORDERING INFORMATION

EXAMPLE: **90DHV-GPFL0020SP** = 90DHV filter, with Red Prefilter, PTFE membrane, 0.02 µm, with Silicone seals, Pharmaceutical Application



BANNER INDUSTRIES IS THE EXCLUSIVE DISTRIBUTOR FOR COBETTER PRODUCTS IN THE USA
Visit www.bannerindustries.com and select the Contact Us link to find the location nearest you. The Banner Industries of N.E., Inc. Terms and Conditions of Sale apply and are fully and expressly incorporated herein by reference and constitute a part of any contract for the purchase of the products described herein.

www.bannerindustries.com | Technical Sales: filtration@bannerindustries.com

CBBPP1191 Rev. 11022021
Copyright © 2021 Banner Industries, Inc. All rights reserved.